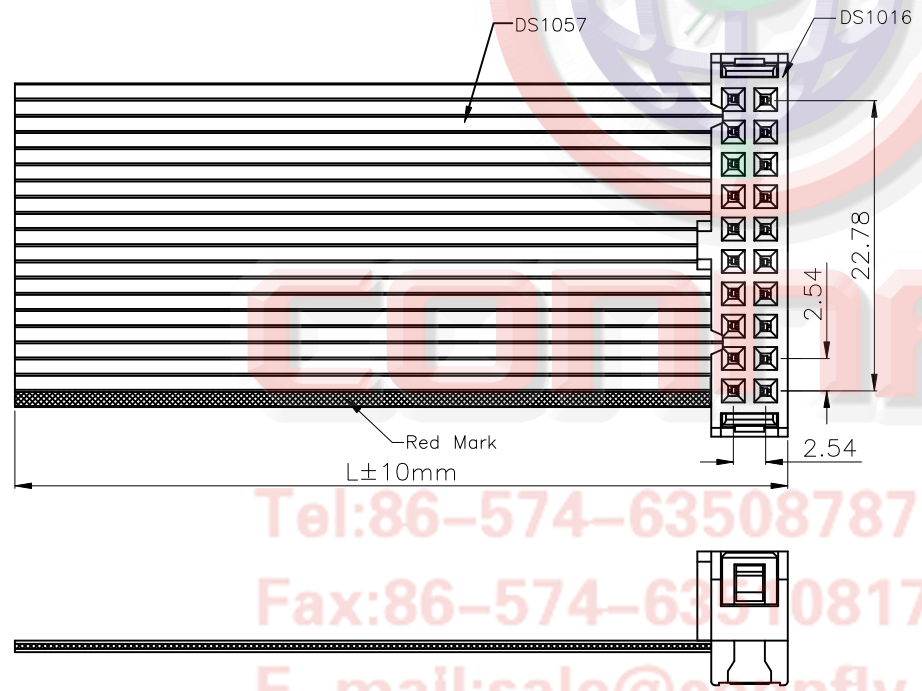


REV.	DESCRIPTION	DRAWN	CHECKED	APPROVED
A	NEW RELEASE	JLZ 12/02/16'	~	



1. PRODUCT NUMBER CODE:  
 DS1052 -XX X X X X X X - ELTECH - 033
- CABLE STYLE  
1: TYPE 1
  - LENGTH DIM L  
0076:76mm
  - WIRE DIAMETER  
2:φ0.127 RED MARK
  - FLAT CABLE COLOR  
A: GRAY
  - STRAIN RELIEF  
N: W/O
  - CONTACT PLATING  
2: GOLD+NICKEL
  - HOUSING COLOR  
B:BLACK
  - NO.OF CONTACTS  
20:20P

Tel:86-574-63508787  
 Fax:86-574-63510817  
 E-mail:sale@connfly.com  
 http://www.connfly.com  
 Add:East Industry Zone KuangYan  
 Town Cixi Ningbo China  
 P.C:315333

GENERAL TOLERANCE		ANGLE TOLERANCE	
X.	±0.60	X.	±5°
.X	±0.38	.X	±3°
.XX	±0.25	.XX	±2°

PROJECTION		TITLE	DS1052 (1*DS1016)
UNITS	mm	SERIES	DS1052 SERIES
SHEET SIZE	A4		

**FOR ELTECH ONLY**

DRAWING TYPE	CUSTOMER		
SCALE	1:1	SHEET	1 OF 1
DRAWING NO.	C-DS1052-XXXXXX-ELTECH-033-A		

**晨翔电子有限公司**  
**CONNFLY CONNFLY ELECTRONIC CO. LTD**