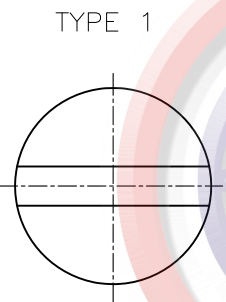


REV.	DESCRIPTION	DRAWN	CHECKED	APPROVED
A	NEW RELEASE	YCH 08/22/07'	~	LJC 08/22/07'
B	REMOVE TYPE 2 SPEC	JLZ 01/30/15'	~	



NOTES:

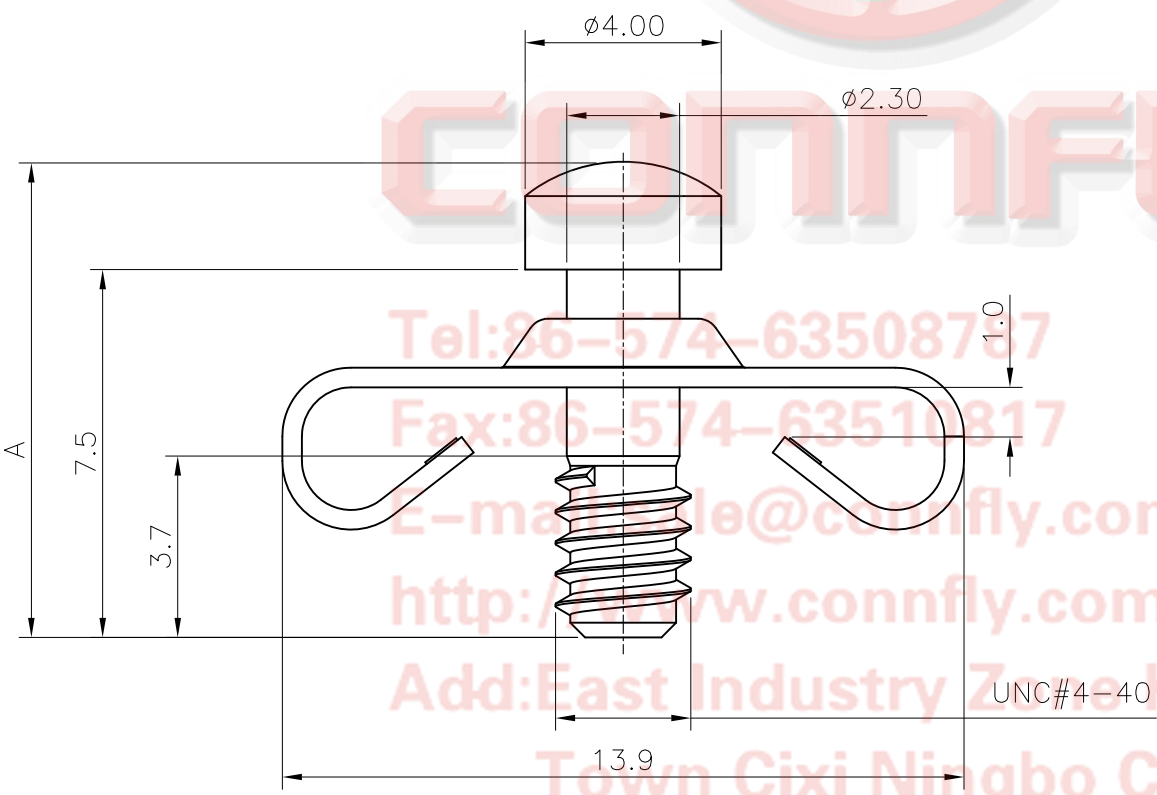
1. Plating: Nickel
2. Product Number Code

DS1045-03 - X X X

Thread type:
3: M3
4: UNC#4-40

Shape of head:
1: type1

Total Length(DIM A):
0970: 9.70mm



Tel:86-574-63508787
 Fax:86-574-63510817
 E-mail: sales@connfly.com
 http://www.connfly.com
 Add: East Industry Zone, KuangYan
 Town Cixi Ningbo China
 P.C:315333

GENERAL TOLERANCE		ANGLE TOLERANCE	
X.	±0.20	X.	±2°
.X	±0.15	.X	±1°
.XX	±0.10	.XX	±0.5°

PROJECTION		TITLE	D-SUB LOCK BLOTS	
UNITS	mm	SHEET SIZE	A4	
SHEET SIZE	A4	SERIES	DS1045-03 SERIES	

DRAWING TYPE	CUSTOMER			
SCALE	1:1	SHEET	1 OF 1	
DRAWING NO.	C-DS1045-03-XXX-B			

晨翔电子有限公司
CONNFLY CONNFLY ELECTRONIC CO. LTD