

| | |
|------|---|
| Dept | |
| Qty | |
| DC | 1 |
| ED | 1 |
| IE | 1 |
| ISO | 1 |
| PD | 1 |
| R&D | 1 |
| SD | 1 |
| QA | 1 |
| QC | 1 |
| QE | 1 |

NOTES:

1. SPECIFICATIONS

- . Switch Function: Single Pole Single Throw
- . Contact Rating: 50mA at 12Vdc
- . Insulation Resistance:100MΩ min.
- . Contact Resistance:100mΩ max.
- . Operating Life:100,000 cycles
- . Operation Temperature Range: -25°C to +70°C

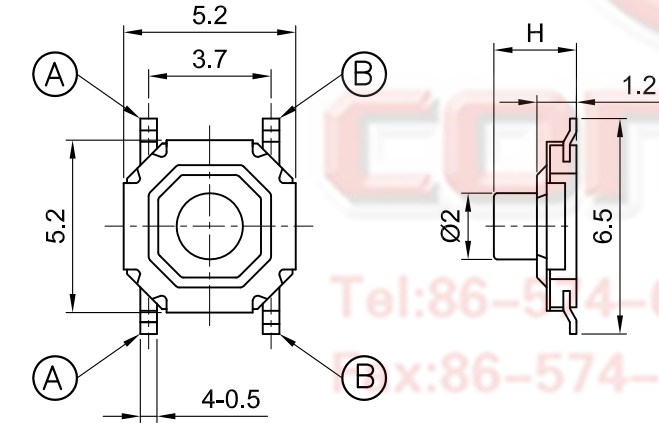
| REV. | DESCRIPTION | DRAWN | CHECKED | APPROVED |
|------|----------------|---------------|---------------|---------------|
| A | NEW RELEASE | JLZ 03/31/17' | HZW 03/31/17' | LJC 03/31/17' |
| B | DRAWING UPDATE | JLZ 01/17/18' | | |
| | | | | |

- . Wave Soldering: Recommended Solder Temperature At 500°f(260°C)max. 5 Seconds,Subject To PCB 1.6mm Thickness.
- . Hand Soldering: Use Soldering Iron Of 30 Watts,Controlled At 608°f(320°C)Approximately 2 Seconds.

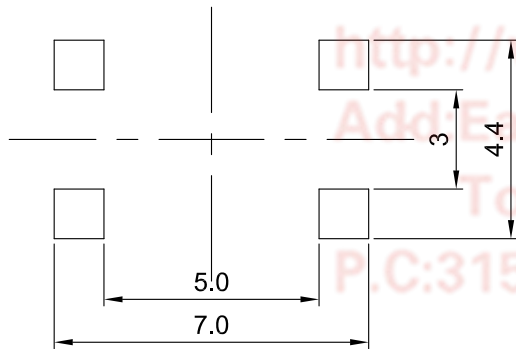
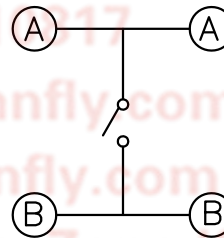
2. PRODUCT NUMBER CODE:

DS1042-09 - X X X X X X X

- Operating Life
3: 30000 cycles
10: 100000 cycles
- Operating force
250: 250gf
- Packing type
R: tape & reel
- Actuator color
W: White
Y: Yellow
K: Black
- Housing color
K: Black
- Profile Height(DIM. H)
1:1.7mm 2:2.5mm
015:1.5mm 019:1.9mm
020:2.0mm 023:2.3mm
- Size
1: 5.2mm*5.2mm



CIRCUIT DIAGRAM



PCB layout
Tolerance±0.05

| | | | |
|-------------------|-------|----------------------|--------------|
| GENERAL TOLERANCE | | ANGLE TOLERANCE | |
| X. | ±0.60 | X. | ±5° |
| .X | ±0.38 | .X | ±3° |
| .XX | ±0.25 | .XX | ±2° |
| DRAWING TYPE | | CUSTOMER | |
| SCALE | | 1:1 | SHEET 1 OF 1 |
| DRAWING NO. | | C-DS1042-09-XXXXXX-B | |

| | | | |
|------------|----|--------|----------------------|
| PROJECTION | | TITLE | TACT SWITCH SMT TYPE |
| UNITS | mm | | 5.2mmX5.2mm |
| SHEET SIZE | A4 | SERIES | DS1042-09 SERIES |

晨翔电子有限公司
CONNFLY CONNFLY ELECTRONIC CO. LTD

The information provided herein is from CONNFLY Electronic Co., Ltd. and is confidential. Any disclosure to a party other than the recipient is prohibited. The intellectual properties and its rights contained herein, including but not limited to, trademarks, patents, copyrights, trade secrets, and technical know-how, are owned exclusively by CONNFLY or its affiliates. Unauthorized use or modification is strictly prohibited. CONNFLY may enforce its intellectual property rights at its own discretion; failures or delays to exercise such rights does not constitute a waiver of such rights.