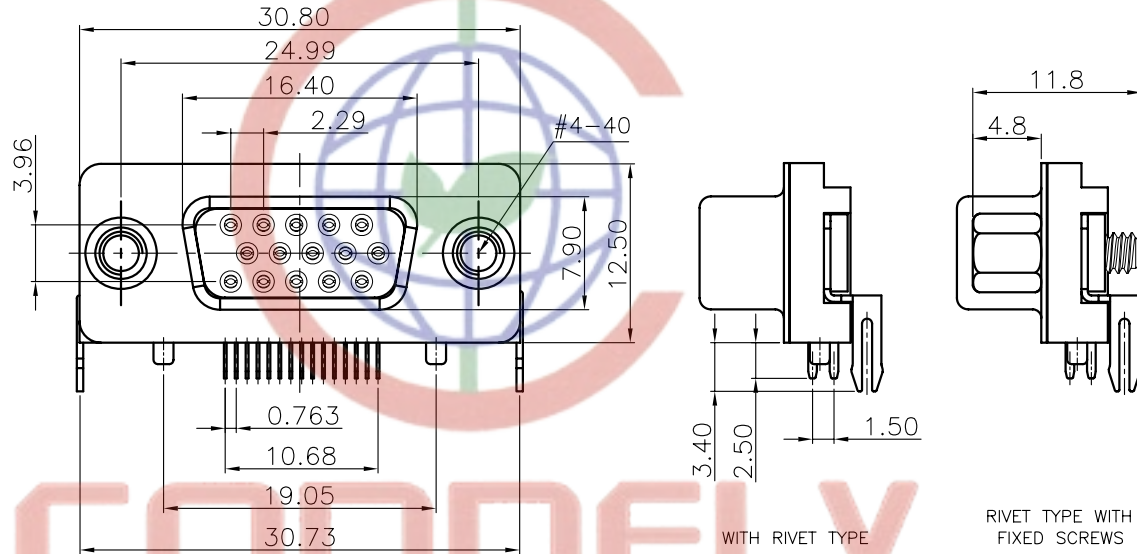


REV.	DESCRIPTION	DRAWN	CHECKED	APPROVED
A	NEW RELEASE	YCH 12/15/09'		

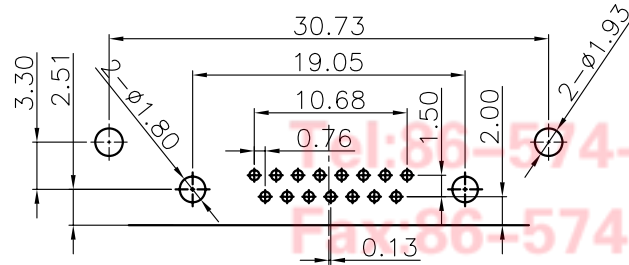
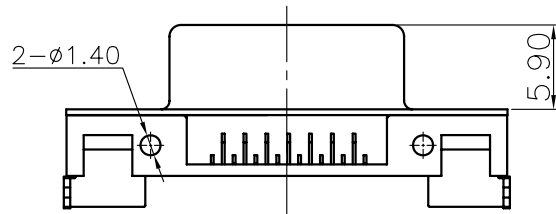


NOTES:

- PRODUCTS PERFORMANCE:
  - VOLTAGE RATING: 250V AC.
  - CONTACT CURRENT RATING: 1.5A MAX. PER PIN.
  - CONTACT RESISTANCE: 20mΩ MAX.
  - DIELECTRIC WITHSTANDING VOLTAGE: 500V AC(rms) FOR 1 MINUTE.
  - INSULATION RESISTANCE: 1000MΩ MIN.
  - TEMPERATURE RANGE: -40°C~+105°C.
- PRODUCT NUMBER CODE:

DS1038-\*03 - X X X X X X

- SCREW TYPE
- B: WITH RIVET TYPE
- C: RIVET TYPE WITH FIXED SCREWS
- D: RIVET TYPE WITH SCREWS IN BULK PACKAGE
- CONTACT PLATING
- Si: SELECTIVE GOLD FLASH
- 8: FULL GOLD FLASH
- SHELL PLATING
- N: Nickel
- T: Tin
- COLOR OF HOUSING
- B: BLACK
- W: WHITE
- L: BLUE
- CONNECTOR TYPE
- F: FEMALE
- No. OF CONTACTS
- 15: 15pos.



RECOMMEND PCB LAYOUT  
(TOLERANCE ±0.05)

GENERAL TOLERANCE		ANGLE TOLERANCE		PROJECTION	TITLE
X.	±0.60	X.	±5°		D-SUB H.D RIGHT ANGLE SLIM TYPE
.X	±0.38	.X	±3°	mm	
.XX	±0.25	.XX	±2°	A4	
DRAWING TYPE		CUSTOMER		SHEET SIZE	SERIES DS1038-03 SERIES
SCALE		1:1	SHEET	1 OF 1	
DRAWING NO.		C-DS1038-03-XXXXXX			

晨翔电子有限公司  
CONNFLY CONNFLY ELECTRONIC CO. LTD

Tel: 86-574-63508787  
Fax: 86-574-63510817  
E-mail: sale@zhenqin.com.cn  
Http://www.connfly.com