

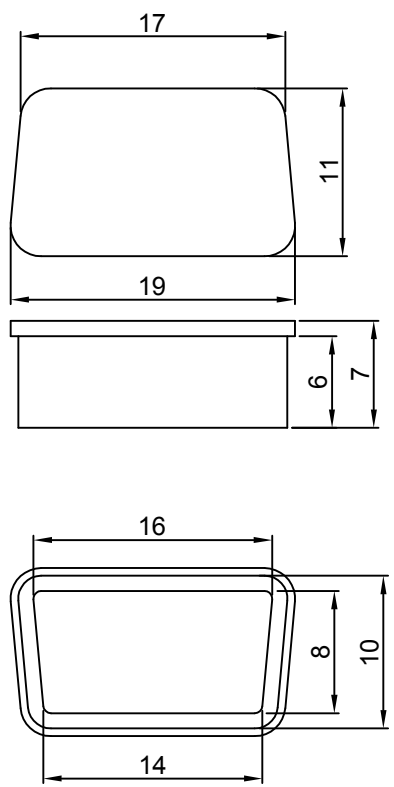
A
B
C
D
E
F
G
H

1 2 3 4 5 6 7 8

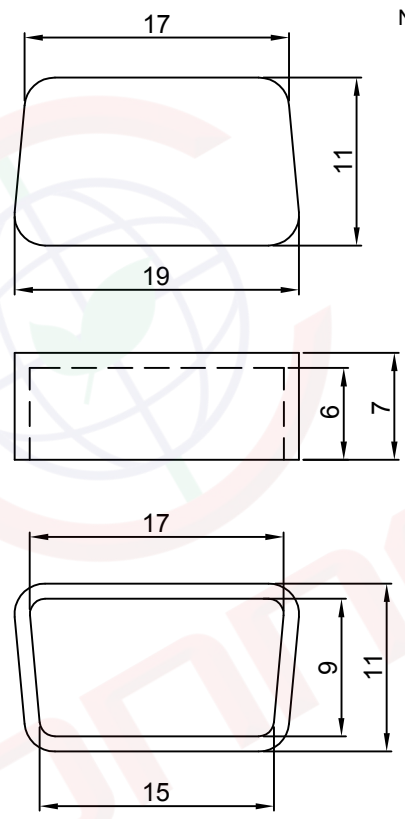
Dept	Qty
DC	1
ED	1
IE	1
ISO	1
PD	1
R&D	1
SD	1
QA	1
QC	1
QF	1

REV.	DESCRIPTION	DRAWN	CHECKED	APPROVED
A	NEW RELEASE	JLZ 09/14/23'		

For Female



For Male



NOTES:

- Material: Thermoplastic.
- Product Number Code:
 DS1037-06 - X X X
 Cap Color
 W:White
 Adaptive Connector Type
 F:Female M:Male
 Adaptive Connector No.
 09:9Pin



(Series Image-Reference Only)

GENERAL TOLERANCE		ANGLE TOLERANCE		PROJECTION		TITLE	D-SUB Anti-Dust Cap(For 9P)		
X.	±0.60	X.	±5°	UNITS	mm	SHEET SIZE	A4	SERIES	
.X	±0.38	.X	±3°	DS1037-06 SERIES					
.XX	±0.25	.XX	±2°						
DRAWING TYPE		CUSTOMER			晨翔电子有限公司 CONNFLY CONNFLY ELECTRONIC CO. LTD				
SCALE		1:1	SHEET						1 OF 1
DRAWING NO.		C-DS1037-06-XXX-A							

1 2 3 4 5 6 7 8