

REV.	DESCRIPTION	DRAWN	CHECKED	APPROVED
A	NEW RELEASE	LJC 01/17/09'	~	

NOTES:

- ELECTRICAL CHARACTERISTICS:
 - CONTACT RESISTANCE: 20mΩ Max. INITIAL.
 - DIELECTRIC WITHSTANDING VOLTAGE: 500V AC(rms)FOR 1 MINUTE.
 - INSULATION RESISTANCE: 1000MΩ Min.
 - CURRENT RATING:40A.
 - VOLTAGE RATING: 300V
- ENVIRONMENT CHARACTERISTICS:
 - TEMPERATURE RANGE: -40° C ~ +105° C.
- MECHANICAL CHARACTERISTICS:
 - DURABILITY: 500 CYCLES.
 - CONTACT RETENTION FORCE: 1Kgf MINIMUM.
- MATERIALS:
 - SHELL: SPCC.
 - CONTACT: COPPER ALLOY.
 - INSULATOR: THERMOPLASTIC UL 94V-0, GLASS FIBER FILLED.
- PART NUMBER CODE:

DS1034-19- X X X X X X X

SCREW DIM. A
 S: Standard(W/O nut)
 4: 4.80
 5: 5.80

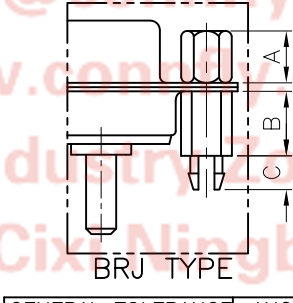
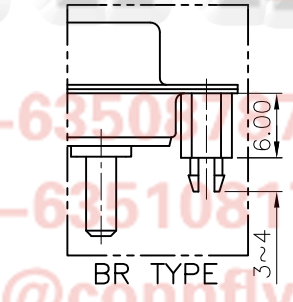
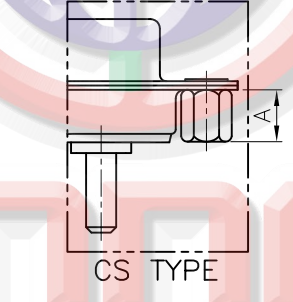
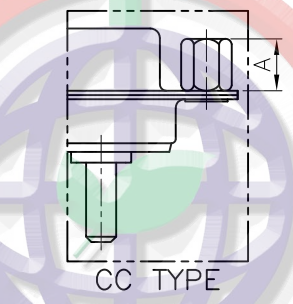
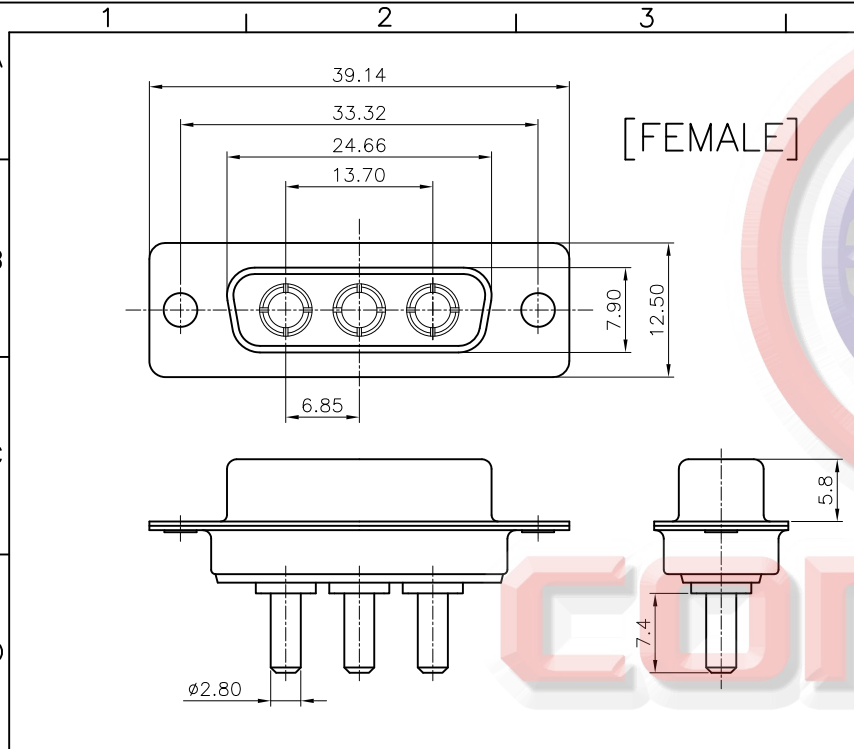
SCREW TYPE
 S: Standard(W/O nut)
 1: CC TYPE
 2: CS TYPE
 3: BR TYPE
 4: BRJ TYPE DIM. B:6.00 C: 3~4mm
 5: BRJ TYPE DIM. B:6.00 C: 5~6mm

CONTACT PLATING
 8: FULL GOLD FLASH

SHELL PLATING
 N: FORNT SHELL NICKEL, BACK SHELL TIN

HOUSING COLOR
 B: BLACK


CONNECTOR TYPE
 M: MALE
 F: FEMALE



GENERAL TOLERANCE		ANGLE TOLERANCE	
X.	±0.60	X.	±5°
.X	±0.38	.X	±3°
.XX	±0.25	.XX	±2°

DRAWING TYPE	CUSTOMER		
SCALE	1:1	SHEET	1 OF 1
DRAWING NO.	C-DS1034-19-XXXX-A		

PROJECTION	TITLE	MACHINE PIN D-SUB 3P	
UNITS	mm	V/T TYPE	
SHEET SIZE	A4	SERIES	DS1034-19 SERIES

 **晨翔电子有限公司**
CONNFLY CONNFLY ELECTRONIC CO. LTD

Tel:86-574-63501177
 Fax:86-574-63510817
 E-mail:sale@connfly.com
 http://www.connfly.com
 Add:East Industry Zone KuangYan
 Town Cixi Ningbo China
 P.C:315333