

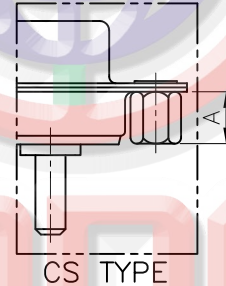
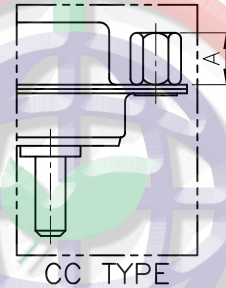
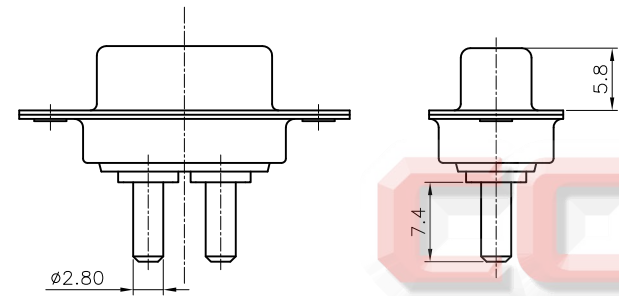
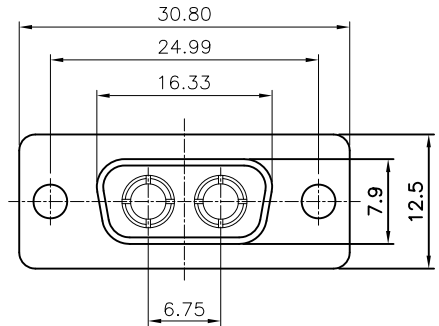
REV.	DESCRIPTION	DRAWN	CHECKED	APPROVED
A	NEW RELEASE	YCH 01/10/08'	~	

NOTES:

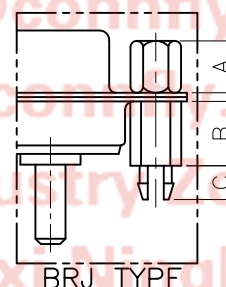
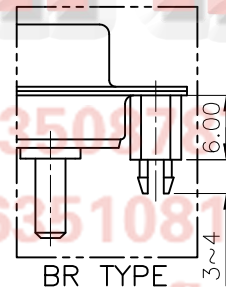
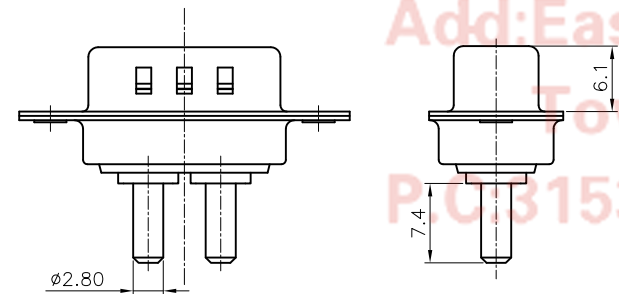
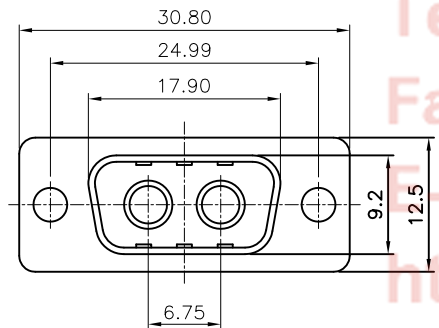
- ELECTRICAL CHARACTERISTICS:
  - CONTACT RESISTANCE: 20mΩ Max. INITIAL.
  - DIELECTRIC WITHSTANDING VOLTAGE: 500V AC(rms)FOR 1 MINUTE.
  - INSULATION RESISTANCE: 1000MΩ Min.
  - CURRENT RATING: 40A.
  - VOLTAGE RATING: 300V
- ENVIRONMENT CHARACTERISTICS:
  - TEMPERATURE RANGE: -40° C ~ +105° C.
- MECHANICAL CHARACTERISTICS:
  - DURABILITY: 500 CYCLES.
  - CONTACT RETENTION FORCE: 1KgF MINIMUM.
- MATERIALS:
  - SHELL: SPCC.
  - CONTACT: COPPER ALLOY.
  - INSULATOR: THERMOPLASTIC UL 94V-0, GLASS FIBER FILLED.
- PART NUMBER CODE:

DS1034-17- X X X X X X	SCREW DIM. A
	S: Standard(W/O nut)
	4: 4.80
	5: 5.80
	SCREW TYPE
	S: Standard(W/O nut)
	1: CC TYPE
	2: CS TYPE
	3: BR TYPE
	4: BRJ TYPE DIM. B:6.00 C: 3~4mm
	5: BRJ TYPE DIM. B:6.00 C: 5~6mm
	CONTACT PLATING
	8: FULL GOLD FLASH
	SHELL PLATING
	N: FRONT SHELL NICKEL, BACK SHELL TIN
	HOUSING COLOR
	B: BLACK
	CONNECTOR TYPE
	M: MALE
	F: FEMALE

[FEMALE]



[MALE]



GENERAL TOLERANCE		ANGLE TOLERANCE	
X.	±0.60	X.	±5°
.X	±0.38	.X	±3°
.XX	±0.25	.XX	±2°
DRAWING TYPE		CUSTOMER	
SCALE	1:1	SHEET	1 OF 1
DRAWING NO.	C-DS1034-17-XXXX-A		

PROJECTION		TITLE	MACHINE PIN D-SUB 2P
UNITS	mm		V/T TYPE
SHEET SIZE	A4	SERIES	DS1034-17 SERIES

晨翔电子有限公司  
**CONNFLY CONNFLY ELECTRONIC CO. LTD**

Tel:86-574-63509117  
 Fax:86-574-63510817  
 E-mail:sale@connfly.com  
 http://www.connfly.com  
 Add:East Industry Zone KuangYan  
 Town Cixi Ningbo China  
 P.C:315333