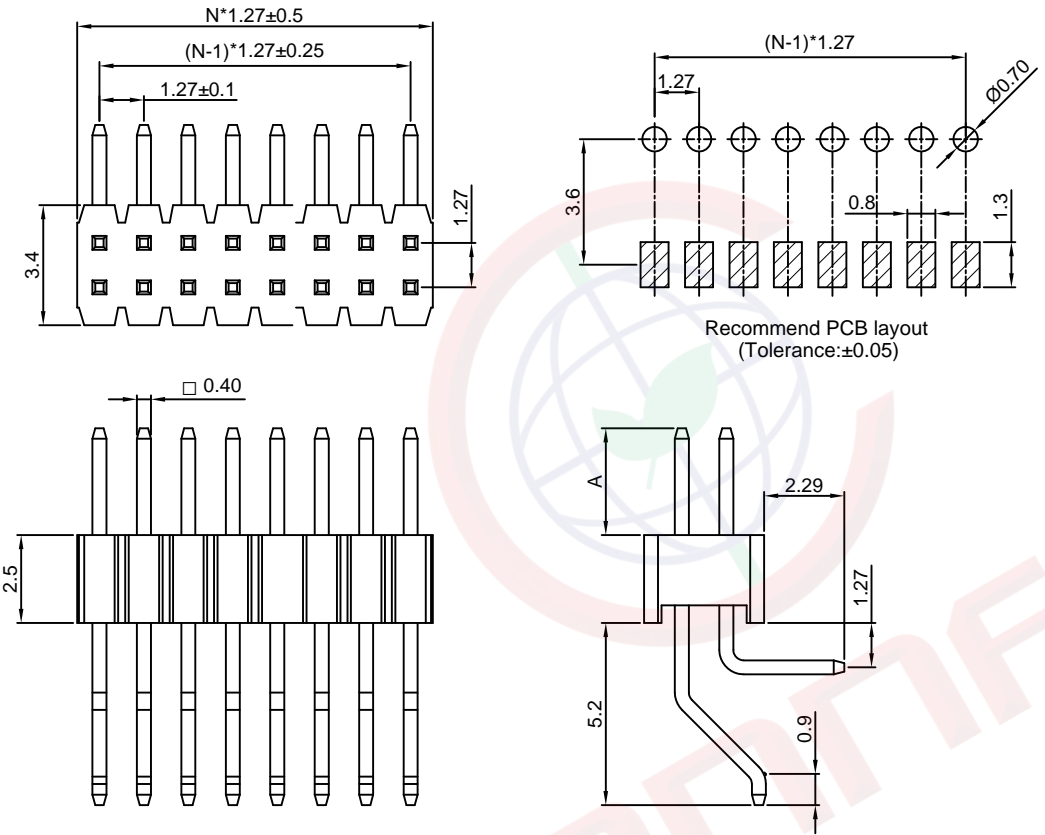


Dept	
Qty	
DC	1
ED	1
IE	1
ISO	1
PD	1
R&D	1
SD	1
QA	1
QC	1
QF	1

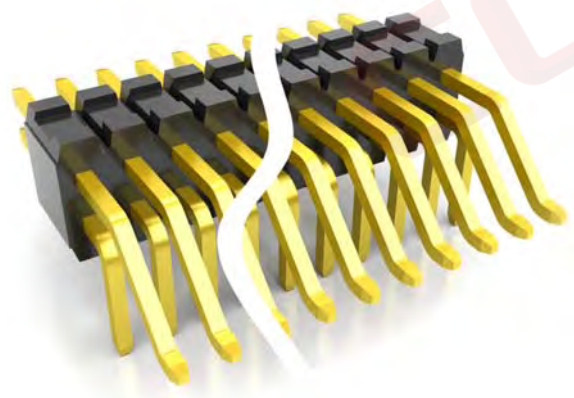
The information provided herein is from CONNELY Electronic Co., Ltd. and is confidential. Any disclosure to a party other than the recipient is prohibited. The intellectual properties and its rights contained herein, including but not limited to, trademarks, patents, copyrights, trade secrets, and technical know-how, are owned exclusively by CONNELY or its affiliates. Unauthorized use or reproduction of any part of this document without the prior written permission of CONNELY may result in legal action. CONNELY may enforce its intellectual property rights at its own discretion, failures or delays to exercise such rights does not constitute a waiver of such rights.

REV.	DESCRIPTION	DRAWN	CHECKED	APPROVED
A	NEW RELEASE	YCH 05/10/12'		LJC 05/10/12'
B	DRAWING UPDATE	JLZ 08/25/20'		

N=Number of contacts/2



- Notes:
- Specifications:
- Contact Resistance: 20mΩ Max.
 - Insulation Resistance: 1000MΩ Min.
 - Dielectric Withstanding Voltage: 300V AC(rms) For 1 Minute.
 - Current Rating: 1A.
 - Temperature: -40°C~+105°C.
- Materials:
- Contact Material: Copper Alloy.
 - Contact Plating: Gold Plating Over Nickel.
 - Insulator Material: PA9T, Black, UL94-V0.
- Product Number Code:
- DS1031-36 - X X X X - 3A
- DIM.A type
 - 1: Type 1
 - 2: Type 2
 -
 - or A*.*
 - Housing color
 - B: Black
 - Contact plating
 - 8: Full gold flash
 - Connector type
 - P: Plug
 - No. of contacts
 - 2x2-2x40



(Series Image-Reference Only)

Type	DIM A
1	3.05
2	1.91
3	1.65
4	3.81

GENERAL TOLERANCE	ANGLE TOLERANCE	PROJECTION		TITLE	1.27mm Pin Header Double
X. ± 0.60	X. $\pm 5^\circ$	UNITS	mm	Row R/A + SMT Type	
.X ± 0.38	.X $\pm 3^\circ$	SHEET SIZE	A4	SERIES	DS1031-36 SERIES
.XX ± 0.25	.XX $\pm 2^\circ$	晨翔电子有限公司 CONNFLY CONNELY ELECTRONIC CO. LTD			
DRAWING TYPE	CUSTOMER				
SCALE	1:1				
DRAWING NO.	C-DS1031-36-XXXXX-3A-B				