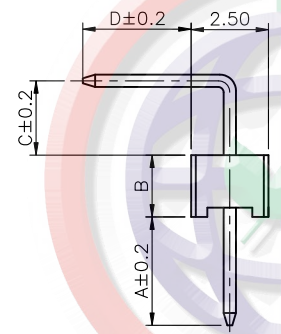
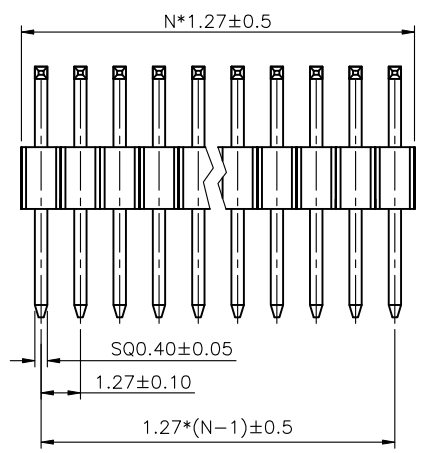
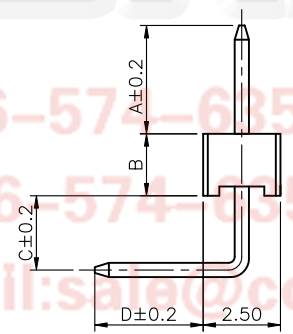
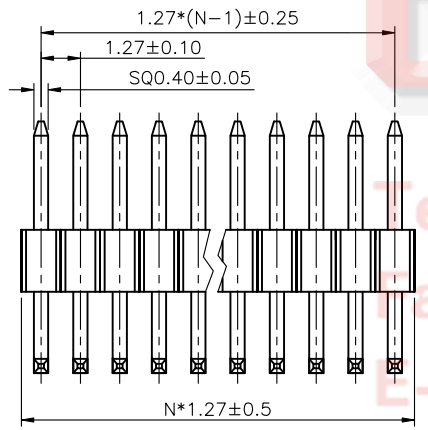


REV.	DESCRIPTION	DRAWN	CHECKED	APPROVED
A	NEW RELEASE	YCH 06/20/08'	~	LJC 06/20/08'
B	DRAWING UPDATE	YCH 03/15/11'	~	LJC 03/15/11'
C	DRAWING UPDATE	JLZ 08/18/16'	~	

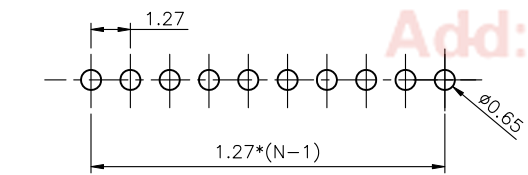
R1 TYPE



R2 TYPE



N=No.OF CONTACTS



RECOMMEND PCB LAYOUT(TOLERANCE=±0.05)

NOTES:

- MATERIAL
 - INSULATOR:THERMOPLASTIC(UL 94V-0).
 - CONTACT MATERIAL:COPPER ALLOY.
- SPECIFICATION
 - CURRENT RATING:1.0 Amp.
 - INSULATION RESISTANCE:500MΩ Min.
 - DIELECTRIC WITHSTANDING:300VAC.
 - CONTACT RESISTANCE:50mΩ Max.
 - OPERATING TEMPERATURE:-40°C TO+105°C.
- PART NUMBER: DS1031-02
- PRODUCT NUMBER CODE:

DS1031-02 - X X X X X X X X - X

- PLATING LEVEL
3A: LEVEL 3A
- CONTACT BEND TYPE
1: R1 TYPE
2: R2 TYPE
- DIM.A C D TYPE
1: TYPE 1
2: TYPE 2
3: TYPE 3
OR A**/C**/D**
- HOUSING HEIGHT(DIM. B)
1: 1.00mm
2: 1.50mm
3: 2.00mm
- MOUNTING TYPE
R: RIGHT ANGLE TYPE
- HOUSING COLOR
B:BLACK
- CONTACT PLATING
8: FULL GOLD FLASH
- CONNECTOR TYPE
P:PLUG
- No.OF CONTACTS
1*1-1*40

TYPE	DIM A	DIM D	DIM C
1	3.50	3.50	2.40
2	8.80	3.50	1.80
3	2.60	3.20	1.50
4	3.50	2.40	1.00
5			
6			
7			
8			
9			

GENERAL TOLERANCE		ANGLE TOLERANCE		PROJECTION		TITLE	1.27mm PITCH PIN HEADER SINGLE ROW RIGHT ANGLE		
X.	±0.60	X.	±5°	UNITS	mm	SHEET SIZE	A4	SERIES	DS1031-02 SERIES
.X	±0.38	.X	±3°	晨翔电子有限公司 CONNFLY CONNFLY ELECTRONIC CO. LTD					
.XX	±0.25	.XX	±2°						
DRAWING TYPE		CUSTOMER		SCALE					
SCALE		1:1	SHEET		1 OF 1				
DRAWING NO.		C-DS1031-02-XXXXXXX-X-C							