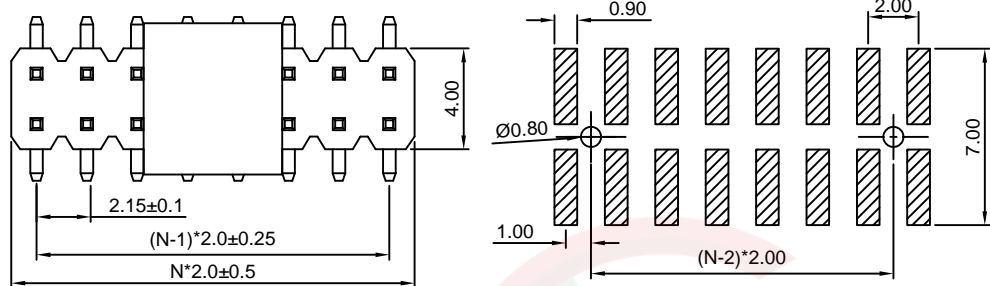


Dept	Qty
DC	1
ED	1
IE	1
ISO	1
PD	1
R&D	1
SD	1
QA	1
QC	1
QE	1

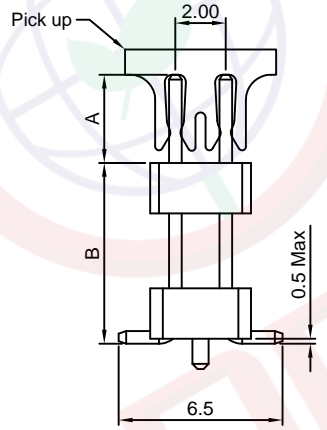
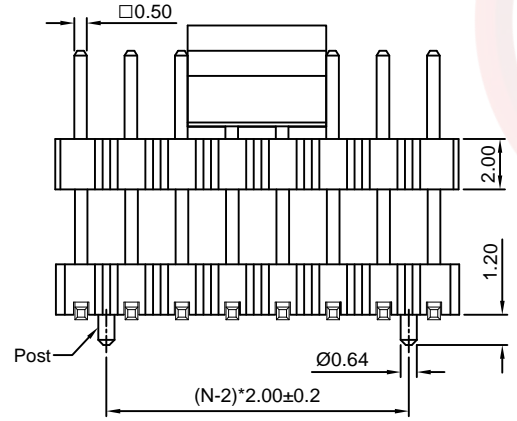
REV.	DESCRIPTION	DRAWN	CHECKED	APPROVED
A	NEW RELEASE	LJH 04/27/05'		LJC 04/27/05'
B	DRAWING UPDATE	JLZ 12/04/17'	HZW 12/04/17'	LJC 12/04/17'
C	DRAWING UPDATE	JLZ 03/10/20'		

The information provided herein is from CONNELY Electronic Co., Ltd. and is confidential. Any disclosure to a party other than the recipient is prohibited. The intellectual properties and its rights contained herein, including but not limited to, trademarks, patents, copyrights, trade secrets, and technical know-how, are owned exclusively by CONNELY or its affiliates. Unauthorized use or reproduction of any part of this document without the prior written consent of CONNELY may result in legal action. CONNELY may enforce its intellectual property rights at its own discretion, failures or delays to exercise such rights does not constitute a waiver of such rights.

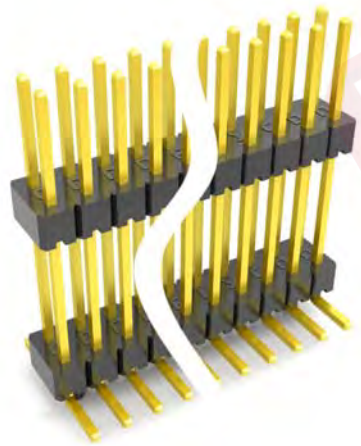


N: Number of contacts/2

Recommend PCB layout
(Tolerance: ±0.05)



Type	DIM A	DIM B
1	6.00	6.00
2	3.00	9.50
3	4.00	8.00



(Series Image-Reference Only)

Notes:

Specifications:

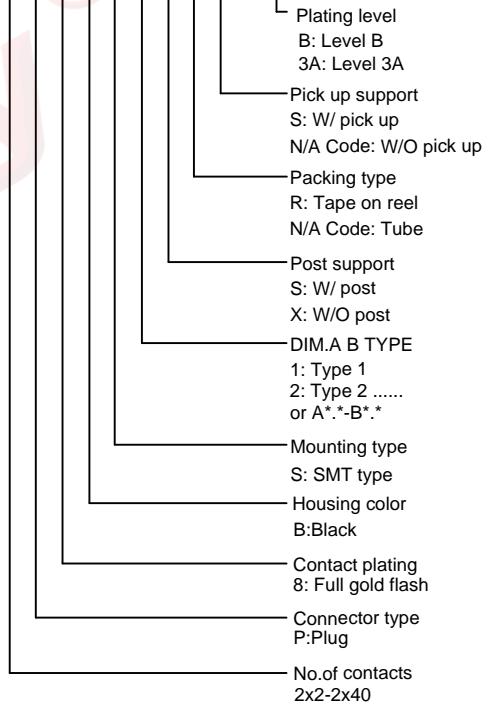
- Contact Resistance: 20mΩ Max.
- Insulation Resistance: 1000MΩ Min.
- Dielectric Withstanding Voltage: 500V AC(rms) For 1 Minute.
- Current Rating: 1.5A.
- Voltage Rating: 250V AC rms.
- Temperature: -40°C~+105°C.

Materials:

- Contact Material: Copper Alloy.
- Contact Plating: Gold Plating Over Nickel.
- Insulator Materials: PA-9T, Black, UL94-V0.

Product Number Code:

DS1030-03 - X X X X X X X X - X



GENERAL TOLERANCE		ANGLE TOLERANCE	
X.	±0.60	X.	±5°
.X	±0.38	.X	±3°
.XX	±0.25	.XX	±2°
DRAWING TYPE		CUSTOMER	
SCALE		1:1	SHEET 1 OF 1
DRAWING NO.		C-DS1030-03-XXXXXXX-X-C	

PROJECTION		TITLE	2.0mm PITCH PIN HEADER
UNITS	mm		DUAL ROW W/N LOCATE PEG S.M.T
SHEET SIZE	A4	SERIES	DS1030-03 SERIES

晨翔电子有限公司
CONNFLY CONNELY ELECTRONIC CO. LTD