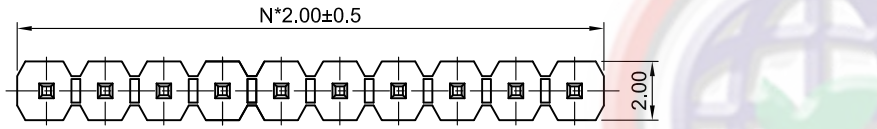


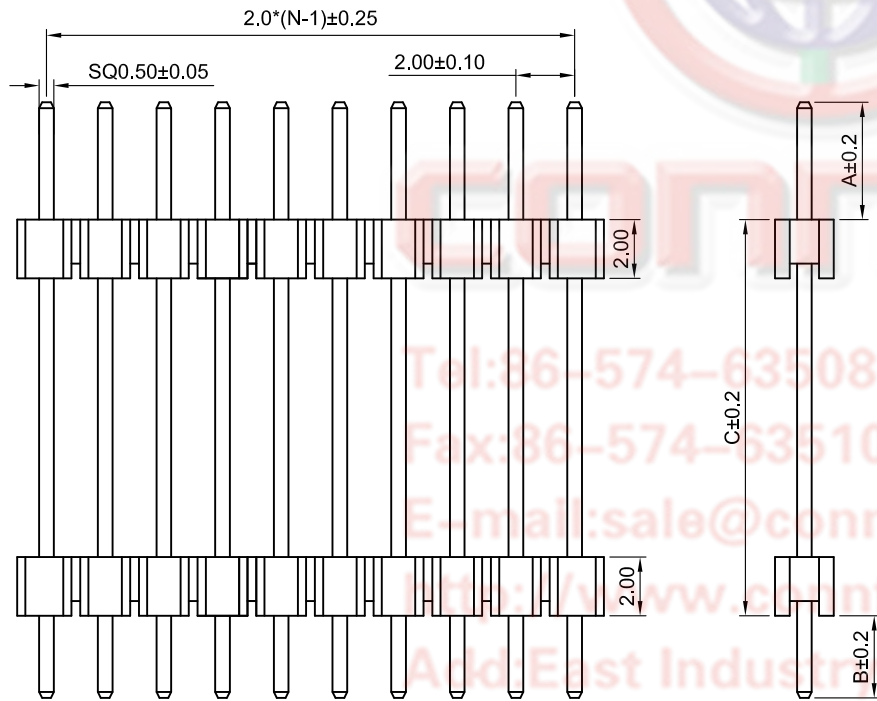
The information provided herein is from CONNELY Electronic Co., Ltd. and is confidential. Any disclosure to a party other than the recipient is prohibited. The intellectual properties and its rights contained herein, including but not limited to, trademarks, patents, copyrights, trade secrets, and technical know-how, are owned exclusively by CONNELY or its affiliates. Unauthorized use of this information in any format or manner. CONNELY may enforce its intellectual property rights at its own discretion; failures or delays to exercise such rights does not constitute a waiver of such rights.

1 2 3 4 5 6 7 8

REV.	DESCRIPTION	DRAWN	CHECKED	APPROVED
A	NEW RELEASE	LJH 04/27/05'		LJC 04/27/05'
B	DRAWING UPDATE	JLZ 04/01/16'	HZW 04/01/16'	LJC 04/01/16'
C	DRAWING UPDATE	JLZ 09/29/19'		



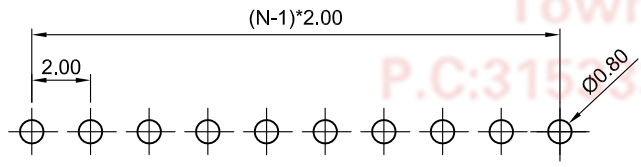
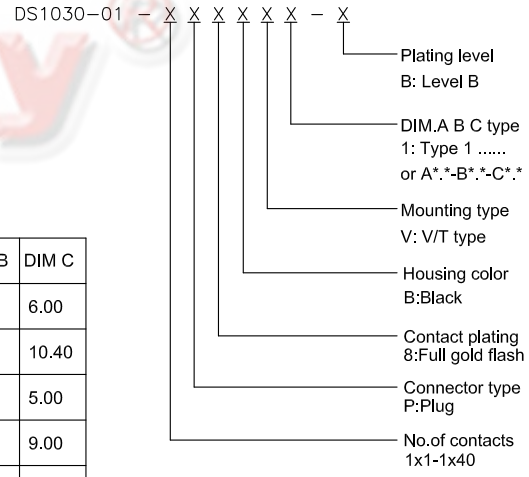
N=Number of contacts



TYPE	DIM A	DIM B	DIM C
1	3.50	3.00	6.00
2	6.00	3.00	10.40
3	3.00	3.00	5.00
4	4.00	3.00	9.00
5	3.00	3.00	17.10

NOTES:

- MATERIAL**
 - INSULATOR:THERMOPLASTIC(UL94 V-0).
 - CONTACT MATERIAL:COPPER ALLOY.
- SPECIFICATION**
 - CURRENT RATING:2 Amp.
 - INSULATION RESISTANCE:1000MΩ Min.
 - DIELECTRIC WITHSTANDING:500VAC.
 - CONTACT RESISTANCE:20mΩ Max.
 - OPERATING TEMPERATURE:-40°C TO+105°C.
- PRODUCT NUMBER CODE:**



GENERAL TOLERANCE		ANGLE TOLERANCE		PROJECTION		TITLE	2.0mm Pin Header	
X.	±0.60	X.	±5°	UNITS	mm	Single Row Stack Type		
.X	±0.38	.X	±3°	SHEET SIZE	A4	SERIES	DS1030-01 SERIES	
.XX	±0.25	.XX	±2°	晨翔电子有限公司 CONNFLY CONNELY ELECTRONIC CO. LTD				
DRAWING TYPE		CUSTOMER						
SCALE		1:1	SHEET 1 OF 1					
DRAWING NO.		C-DS1030-01-XXXXXX-X-C						

1 2 3 4 5 6 7 8

A B C D E F G H