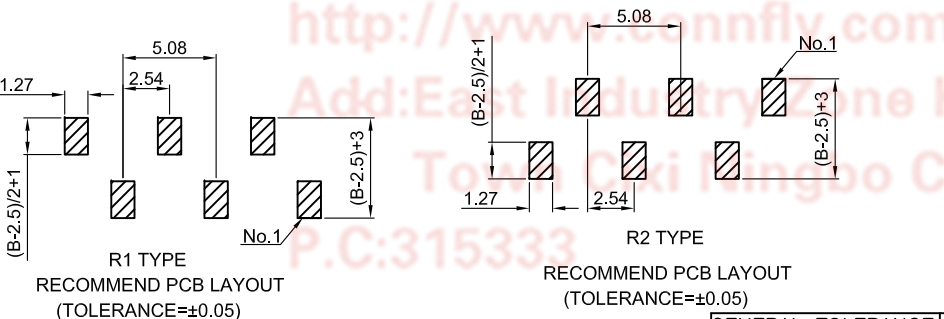
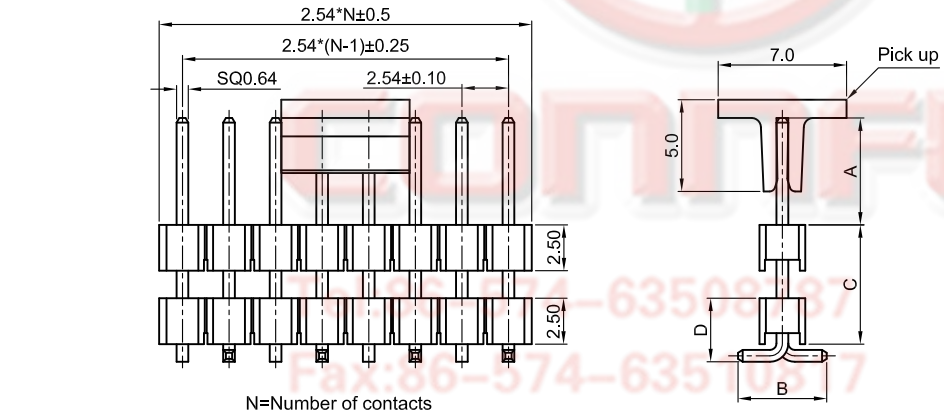
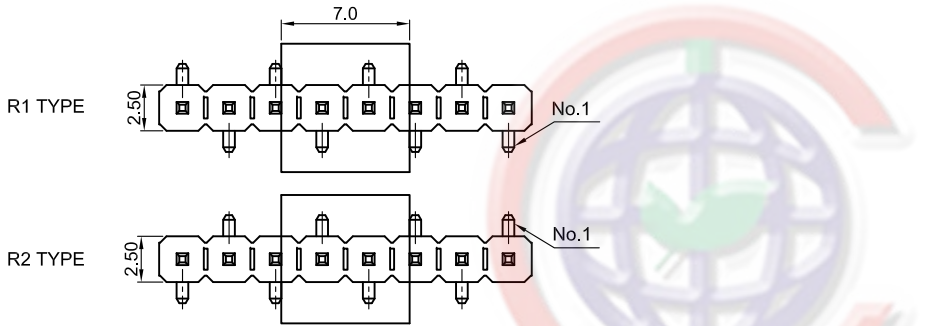


The information provided herein is from CONNELY Electronic Co., Ltd. and is confidential. Any disclosure to a party other than the recipient is prohibited. The intellectual properties and its rights contained herein, including but not limited to, trademarks, patents, copyrights, trade secrets, and technical know-how, are owned exclusively by CONNELY or its affiliates. Unauthorized use of this information in any format or manner. CONNELY may enforce its intellectual property rights at its own discretion; failures or delays to exercise such rights does not constitute a waiver of such rights.

1 2 3 4 5 6 7 8

Dept	
Qty	
DC	1
ED	1
IE	1
ISO	1
PD	1
R&D	1
SD	1
QA	1
QC	1
QE	1



TYPE	DIM A	DIM B	DIM C	DIM D	LENGTH PIN
1	3.00	4.70	6.50	4.38	12.90
2	3.00	4.83	6.50	3.50	12.10
3	7.00	4.70	6.50	3.50	16.00

GENERAL TOLERANCE		ANGLE TOLERANCE	
X.	±0.60	X.	±5°
.X	±0.38	.X	±3°
.XX	±0.25	.XX	±2°

DRAWING TYPE	CUSTOMER	
SCALE	1:1	SHEET 1 OF 1
DRAWING NO.	C-DS1029-03-XXXXXXXX-X-D	

REV.	DESCRIPTION	DRAWN	CHECKED	APPROVED
A	NEW RELEASE	LJH 05/06/05'		LJC 05/06/05'
D	DRAWING UPDATE	JLZ 06/22/19'		

- NOTES:
- MATERIAL
 - INSULATOR:THERMOPLASTIC(UL94 V-0).
 - CONTACT MATERIAL:COPPER ALLOY.
 - SPECIFICATION
 - CURRENT RATING:1.5 Amp.
 - INSULATION RESISTANCE:1000MΩ Min.
 - DIELECTRIC WITHSTANDING:600VAC.
 - CONTACT RESISTANCE:50mΩ Max.
 - OPERATING TEMPERATURE:-40°C TO+105°C.
 - PRODUCT NUMBER CODE:

DS1029-03 - X X X X X X X X - X

- Plating level
- B: Level B
- 3A: Level 3A
- Packing type
- N/A Code: Tube
- R: Tape on reel
- Pick up support
- N/A Code: W/O Pick up
- S: W/ Pick up
- Bend type
- 1: R1 type
- 2: R2 type
- DIM.A B C D type
- 1: Type 1
- or A**B**C**D**
- Mounting type
- S: SMT type
- Housing color
- B:Black
- Connector plating
- 8: Full gold flash
- Conect type
- P:Plug
- No.of contacts
- 1x2-1x40

PROJECTION	TITLE
	2.54mm Pin Header Single Row SMT Type
UNITS	mm
SHEET SIZE	A4
SERIES	DS1029-03 SERIES

晨翔电子有限公司
CONNFLY CONNELY ELECTRONIC CO. LTD

1 2 3 4 5 6 7 8