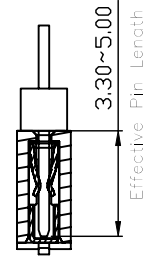
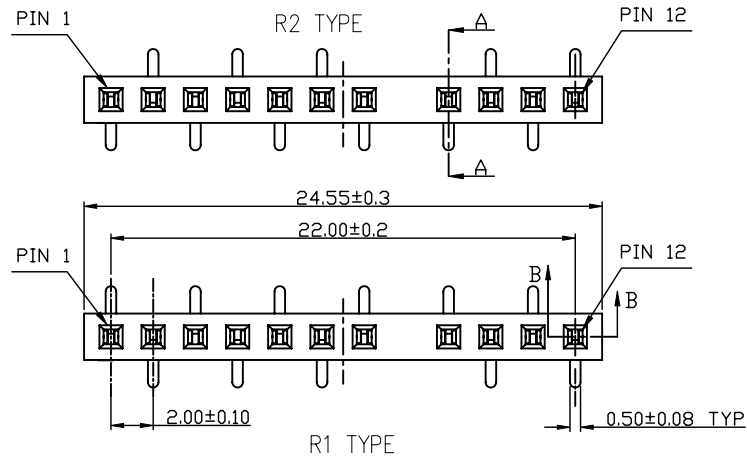


REV.	DESCRIPTION	DRAWN	CHECKED	APPROVED
x1	NEW RELEASE	Kevin 06/06/17'	Andy_H 06/06/17'	LJC 06/06/17'

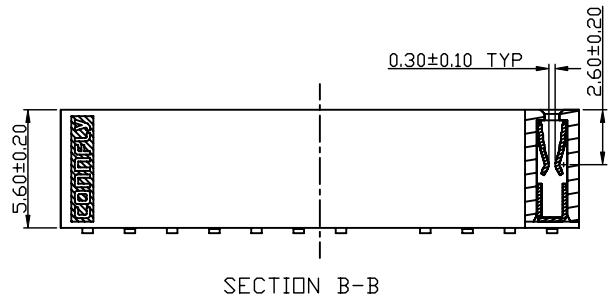


diagrammatic sketch

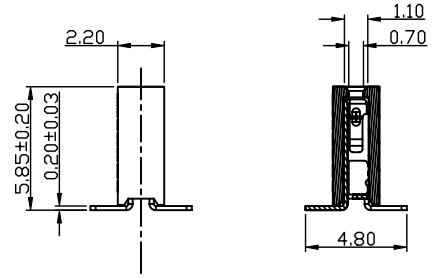
NOTES:

- ELECTRICAL CHARACTERISTICS:
 - CONTACT RESISTANCE: 20mΩ Max. INITIAL.
 - DIELECTRIC WITHSTANDING VOLTAGE: 500V AC(rms) FOR 1 MINUTE.
 - INSULATION RESISTANCE: 1000MΩ Min.
- ENVIRONMENT CHARACTERISTICS:
 - TEMPERATURE: -40°C~+105°C.
- PART NUMBER: DS1026-22
- PRODUCT NUMBER CODE:

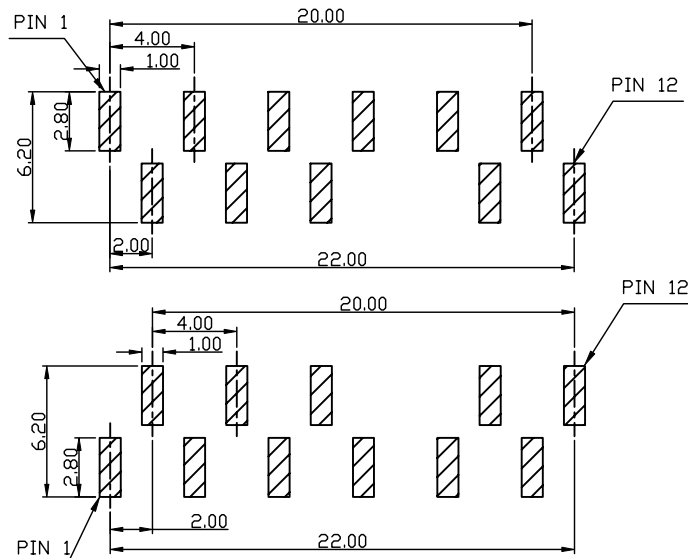
DS1026-24 - X X S X X X -F1P



SECTION B-B

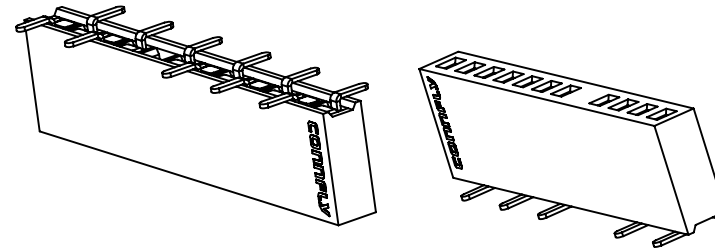


SECTION A-A



RECOMMEND PCB LAYOUT
(TOLERANCE=±0.05)

Port type	BLOCK PIN
Bend type	1:R1 Type
	2:R2 Type
HOUSING COLOR	B:BLACK
CONTACT PLATING	8: FULL GOLD FLASH
CONTACTS TYPE	S:SMT TYPE
CONNECTOR TYPE	S:SOCKET
No.OF CONTACTS	14:12-12PIN
SERIES No.	DS1026-24



3D VIEW

GENERAL TOLERANCE	ANGLE TOLERANCE	PROJECTION		TITLE	FEMALE HEADER PITCH 2.0mm SMT TYPE
X. ±0.60	X. ±5°	UNITS	mm		
.X ±0.38	.X ±3°	SHEET SIZE	A4	SERIES	DS1026-24 SERIES
.XX ±0.25	.XX ±2°	晨翔电子有限公司 CONNFLY CONNFLY ELECTRONIC CO. LTD			
DRAWING TYPE	CUSTOMER				
SCALE	1:1 SHEET 1 OF 1				
DRAWING NO.	C-DS1026-24-XXSXXX-F1P-x1				