

REV.	DESCRIPTION	DRAWN	CHECKED	APPROVED
A	NEW RELEASE	LJC 03/19/16'		

NOTES:

- ELECTRICAL CHARACTERISTICS:
  - CONTACT RESISTANCE: 20mΩ Max. INITIAL.
  - DIELECTRIC WITHSTANDING VOLTAGE: 500V AC(rms) FOR 1 MINUTE.
  - INSULATION RESISTANCE: 1000MΩ Min.
- ENVIRONMENT CHARACTERISTICS:
  - TEMPERATURE: -40°C~+105°C.
  - RECOMMEND SOLDERING HEAT: 260°C, 3~5s.
- PRODUCT NUMBER CODE:  
DS1026-20 - X X X X X X

PACKING TYPE  
T:TRAY  
B:TUBE

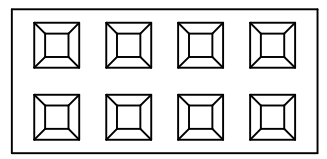
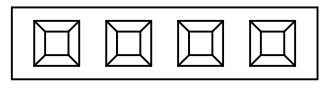
CONTACTS TYPE  
V:VERTICAL TYPE

HOUSING COLOR  
B:BLACK

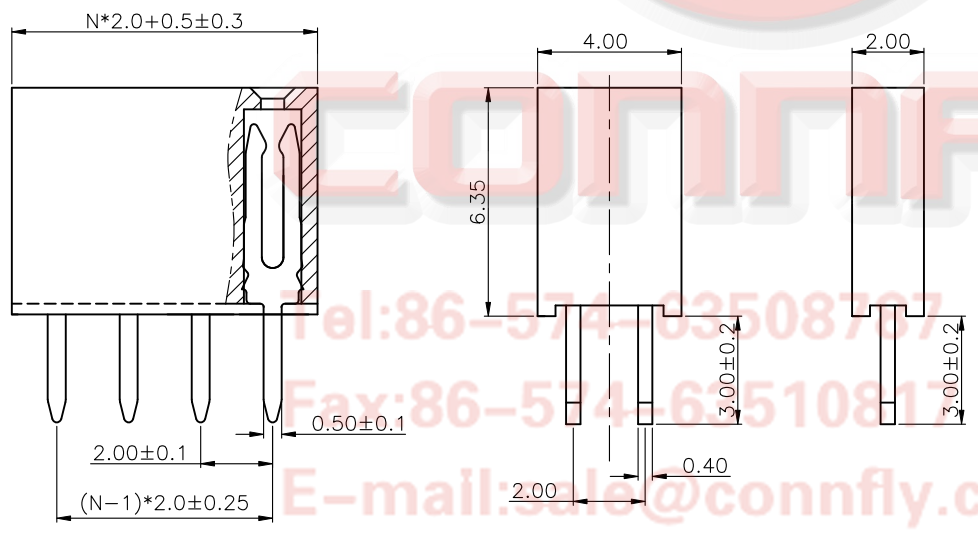
CONTACT PLATING  
8: Full Gold Flash  
1: Selective 10u" Gold

CONNECTOR TYPE  
S:SOCKET

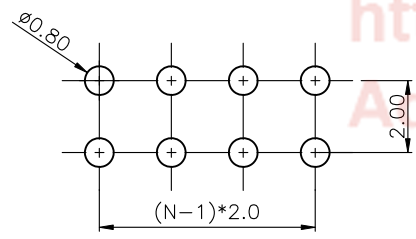
No.OF CONTACTS  
1\*2~1\*40  
2\*2~2\*40



N=No.OF CONTACTS(SINGLE)  
N=No.OF CONTACTS/2(DUAL)



DUAL ROW                      SINGLE ROW



Recommended PCB Layout  
(Tolerance=±0.05mm)

GENERAL TOLERANCE		ANGLE TOLERANCE	
X.	±0.60	X.	±5°
.X	±0.38	.X	±3°
.XX	±0.25	.XX	±2°

DRAWING TYPE	CUSTOMER		
SCALE	1:1	SHEET	1 OF 1
DRAWING NO.	C-DS1026-20-XXXXXX-A		

PROJECTION	TITLE	2.0mm Female Header H=6.35mm Vertical Through Type	
UNITS	mm	SHEET SIZE	A4
SHEET SIZE	A4	SERIES	DS1026-20 SERIES

晨翔电子有限公司  
CONNFLY CONNFLY ELECTRONIC CO. LTD