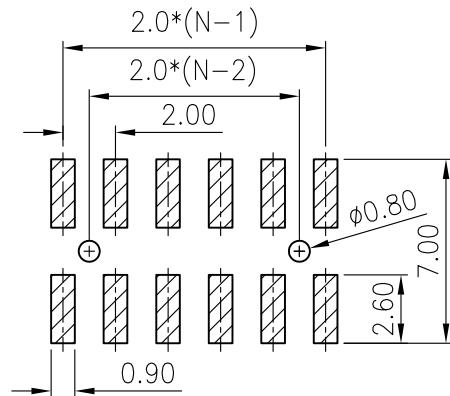
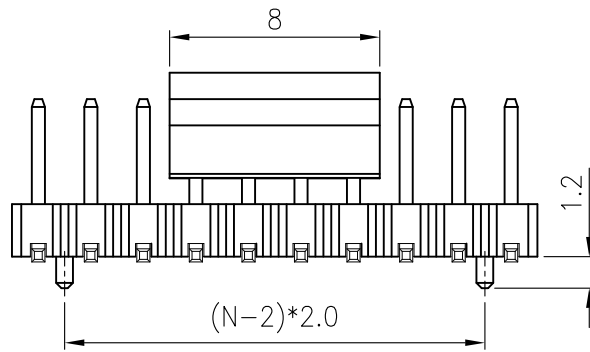
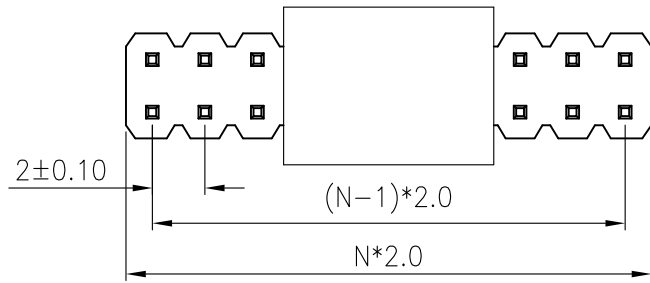
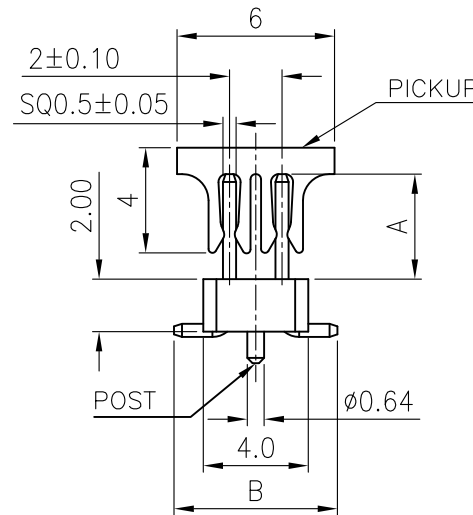


REV.	DESCRIPTION	DRAWN	CHECKED	APPROVED
A	NEW RELEASE	LJC 05/08/05'	~	LJC 05/08/05'
B	整理图纸	YCH 07/19/08'	~	LJC 07/19/08'
C	增加尺寸及电镀等级选项	YCH 12/03/13'	~	

N=NUMBER OF CONTACTS/2



RECOMMEND PCB LAYOUT
(TOLERANCE=±0.05)




TYPE	DIM A	DIM B
1	4.00	6.20
2	3.50	6.20

NOTES:

- MATERIAL
 - INSULATOR: THERMOPLASTIC(UL 94V-0).
 - CONTACT MATERIAL: COPPER ALLOY.
- SPECIFICATION
 - CURRENT RATING: 1.5 Amp.
 - INSULATION RESISTANCE: 1000MΩ Min.
 - DIELECTRIC WITHSTANDING: 500VAC.
 - CONTACT RESISTANCE: 20mΩ Max.
 - OPERATING TEMPERATURE: -40°C TO +105°C.

3. PRODUCT NUMBER CODE:

DS1025-08 - X X X X X X X X X X
 PLATING LEVEL
 3A AA A B D N
 DIM A,B Type
 1: TYPE 1
 2: TYPE 2
 POST SUPPORT TYPE
 S: W/ POST
 X: W/O POST
 PACKING TYPE
 A: POLYBAG
 B: TUBE
 R: TAPE ON REEL
 T: TRAY
 PICKUP SUPPORT
 S: W/ PICKUP
 X: W/O PICKUP
 HOUSING COLOR
 B:BLACK
 CONTACT PLATING
 8: FULL GOLD FLASH
 CONNECTOR TYPE
 P:PLUG
 No.OF CONTACTS
 2*2-2*X
 SERIES No.
 DS1025-08

GENERAL TOLERANCE		ANGLE TOLERANCE		PROJECTION	TITLE	2.0 PITCH PIN HEADER SMT TYPE DUAL ROW W/O LOCATE PEG	
X.	±0.60	X.	±5°	mm			
.X	±0.38	.X	±3°	A4	SERIES	DS1025-08 SERIES	
.XX	±0.25	.XX	±2°				
DRAWING TYPE		CUSTOMER		 晨翔电子有限公司 CONNFLY CONNFLY ELECTRONIC CO. LTD			
SCALE		SHEET					
DRAWING NO.		1 OF 1					
		C-DS1025-08-XXXXXXXX-X-C					