

REV.	DESCRIPTION	DRAWN	CHECKED	APPROVED
A	NEW RELEASE	YCH 12/10/07'	~	LJC 12/10/07'
B	ADD P/N CODE	JLZ 10/28/14'	~	LJC 10/28/14'
C	ADD P/N CODE	JLZ 04/28/15'	~	

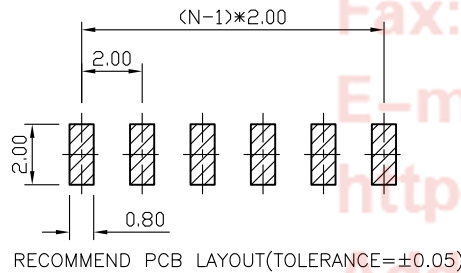
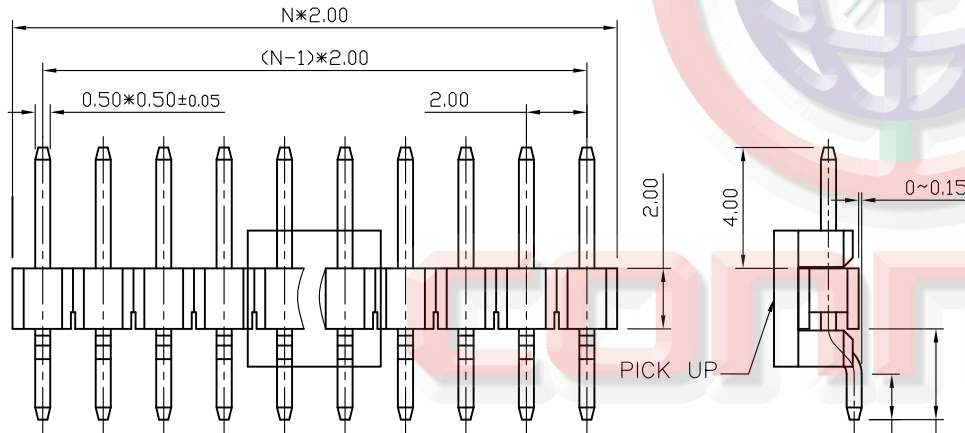
NOTES:

- MATERIAL
 - INSULATOR:THERMOPLASTIC(UL 94V-0).
 - CONTACT MATERIAL: COPPER ALLOY.
- SPECIFICATION
 - CURRENT RATING:1.5 A.
 - INSULATION RESISTANCE:1000MΩ Min.
 - DIELECTRIC WITHSTANDING:600VAC.
 - CONTACT RESISTANCE:20mΩ Max.
 - OPERATING TEMPERATURE:-40°C TO +105°C.

3. PRODUCT NUMBER CODE:

DS1025-04 - X X X X X X - X

- Ⓢ PLATING LEVEL
3A:LEVEL 3A
B:LEVEL B
- Ⓢ PACKING TYPE
R: TAPE ON REEL
N/A: TRAY
- Ⓢ PICK UP SUPPORT
S: W/
N/A: W/O
- CONTACTS TYPE
S:SMT TYPE
- HOUSING COLOR
B:BLACK
- CONTACT PLATING
8:FULL GOLD FLASH
- CONNECTOR TYPE
P:PLUG
- No.OF CONTACTS
1*2~1*40



Tel:86-574-63508787

Fax:86-574-63510817

E-mail:sale@connfly.com

http://www.connfly.com

Add:East Industry Zone KuangYan

Town Cixi Ningbo China

P.C:315333

GENERAL TOLERANCE		ANGLE TOLERANCE		PROJECTION		TITLE	PIN HEADER PITCH 2.0mm SMT TYPE					
X.	±0.60	X.	±5°	UNITS	mm							
.X	±0.38	.X	±3°	SHEET SIZE	A4	SERIES	DS1025-04 SERIES					
.XX	±0.25	.XX	±2°									
DRAWING TYPE		CUSTOMER				晨翔电子有限公司 CONNFLY CONNFLY ELECTRONIC CO. LTD						
SCALE		1:1							SHEET		1 OF 1	
DRAWING NO.		C-DS1025-04-XXXXXX-X-C										