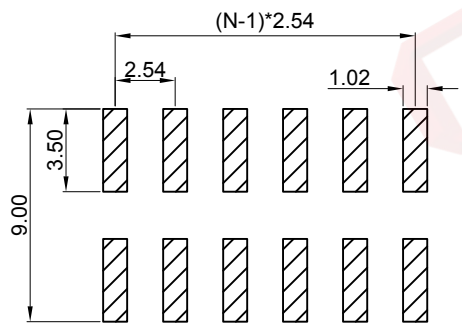
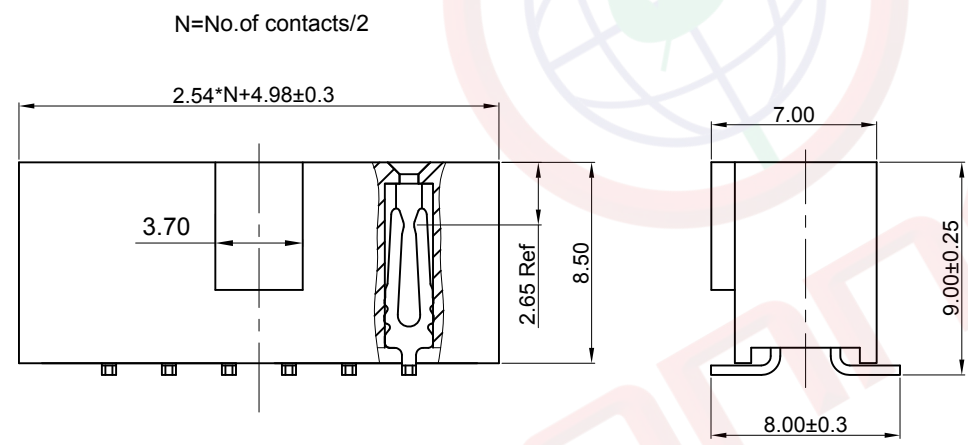
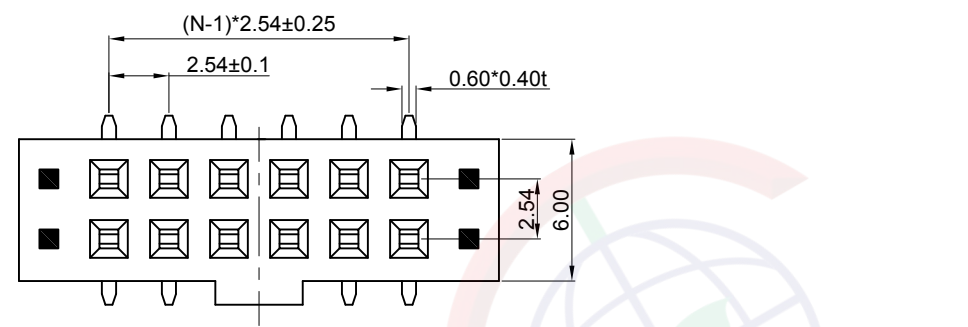


Dept	
Qty	
DC	1
ED	1
IE	1
ISO	1
PD	1
R&D	1
SD	1
QA	1
QC	1
QF	1

The information provided herein is from CONNFLY Electronic Co., Ltd. and is confidential. Any disclosure to a party other than the recipient is prohibited. The intellectual properties and its rights of CONNFLY Electronic Co., Ltd. are reserved. All intellectual properties provided herein are for reference purposes only and does not constitute authorization of its use or modification. CONNFLY may enforce its intellectual property rights at its own discretion; failures or delays to exercise such rights does not constitute a waiver of such rights.

REV.	DESCRIPTION	DRAWN	CHECKED	APPROVED
A	NEW RELEASE	JLZ 08/21/20'		



Recommend PCB layout  
(Tolerance:±0.05)

Notes:  
 Specifications:  
 1. Contact Resistance: 20mΩ Max.  
 2. Insulation Resistance: 1000MΩ Min.  
 3. Dielectric Withstanding Voltage: 600V AC(rms) For 1 Minute.  
 4. Current Rating:3A.  
 5. Temperature: -40°C~+105°C.  
 Materials:  
 1. Contact Material: Copper Alloy.  
 2. Contact Plating: Gold Plating Over Nickel.  
 3. Insulator Materials: High Temp,Black,UL94-V0.  
 Product Number Code:  
 DS1023-72 - X X X X

- X X X X X
- Packing type  
R:Tape on reel  
B:Tube
- Pick up support  
S:W/ Pick up  
X:W/O Pick up  
M:W/ Mylar
- Contact plating  
8: Full gold flash
- Housing color  
B:Black
- No.of contacts  
2x2-2x40

GENERAL TOLERANCE		ANGLE TOLERANCE		PROJECTION		TITLE	2.54mm Female Header SMT W/ Polarization Type		
X.	±0.60	X.	±5°	UNITS	mm	SERIES	DS1023-72 SERIES		
.X	±0.38	.X	±3°	SHEET SIZE	A4				
.XX	±0.25	.XX	±2°						
DRAWING TYPE		CUSTOMER			晨翔电子有限公司 CONNFLY CONNFLY ELECTRONIC CO. LTD				
SCALE		1:1	SHEET	1 OF 1					
DRAWING NO.		C-DS1023-72-XXXX-A							