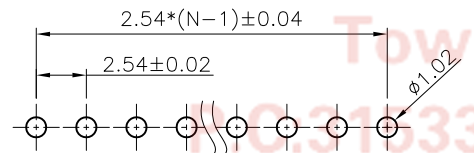
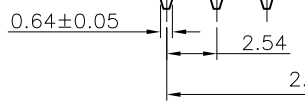
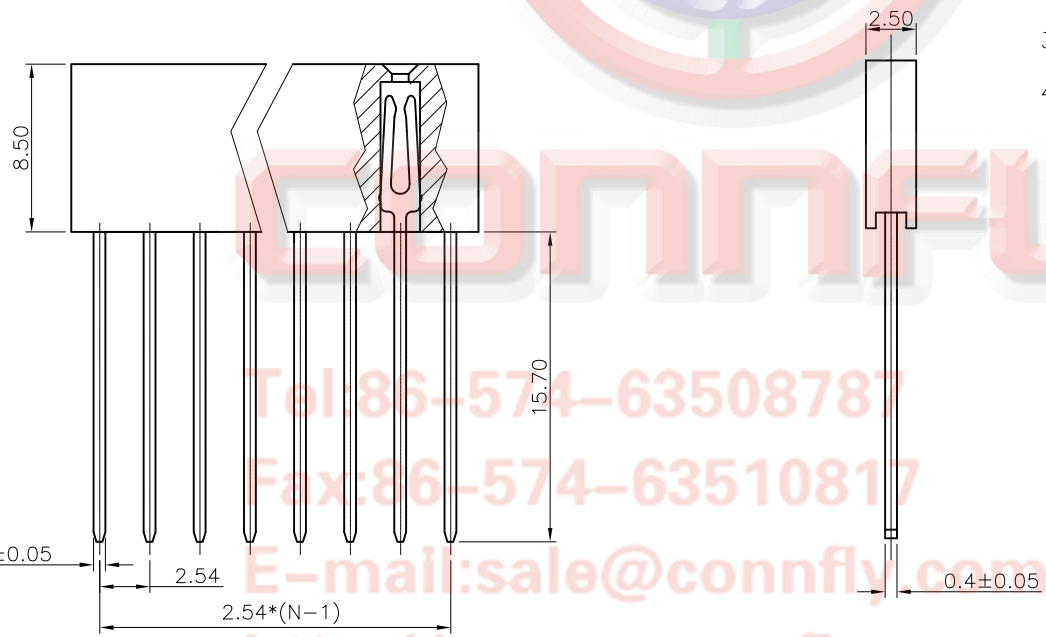
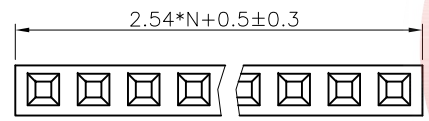


REV.	DESCRIPTION	DRAWN	CHECKED	APPROVED
A	NEW RELEASE	JLZ 01/04/15'		

- NOTES:
- Material:
Insulator: PBT With glass fiber. UL94 V-0.
Contact: Copper alloy.
 - Electrical performance
Contact resistance: 20mΩ maximum.
Insulation resistance: 1000MΩ minimum.
Dielectric withstanding voltage: 500V AC(r.m.s) per 60s.
 - Environment performance:
Temperature range: -40°C~+105°C.
 - Product number code:

DS1023-30 - X X X X

- Profile Height:
1:8.50mm
- Contact plating:
2: Gold flash + Nickel
F1: Full gold flash
- Mounting Type:
S: Straight type
- No. of positions:
1*2 ~ 1*40



Recommend PCB layout

Tel: 86-574-63508787
 Fax: 86-574-63510817
 E-mail: sale@connfly.com
 http://www.connfly.com
 Add: East Industry Zone KuangYan
 Town Cixi Ningbo China
 Tel: 86-574-315333

GENERAL TOLERANCE		ANGLE TOLERANCE		PROJECTION		TITLE	2.54mm Female Header Single Row
X.	±0.60	X.	±5°	UNITS	mm	V/T Type Tail Length 15.7mm	
.X	±0.38	.X	±3°	SHEET SIZE	A4	SERIES	DS1023-30 SERIES
.XX	±0.25	.XX	±2°	晨翔电子有限公司 CONNFLY CONNFLY ELECTRONIC CO. LTD			
DRAWING TYPE		CUSTOMER					
SCALE	1:1	SHEET	1 OF 1				
DRAWING NO.		C-DS1023-30-XXXX-A					