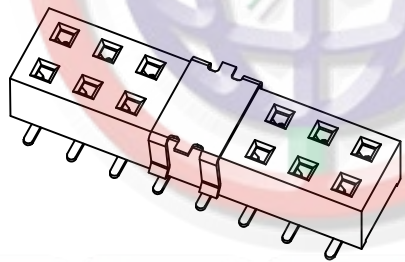
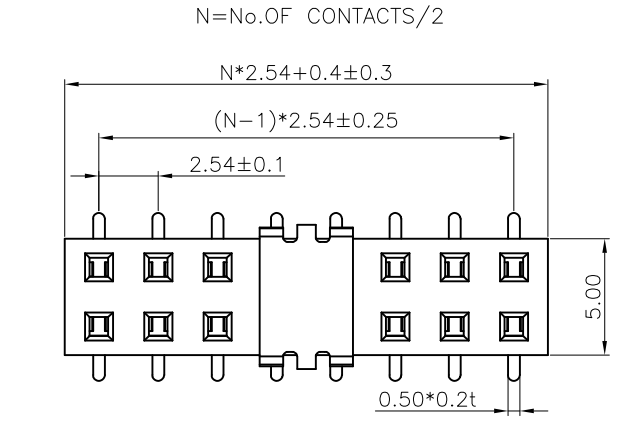
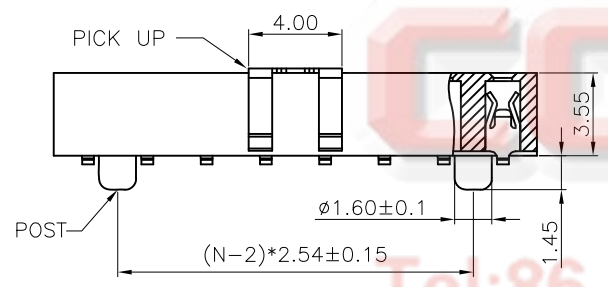


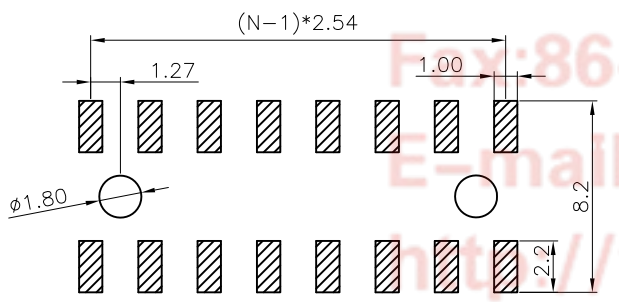
REV.	DESCRIPTION	DRAWN	CHECKED	APPROVED
A	NEW RELEASE	JLZ 03/21/18'	~	



- NOTES:
- MATERIAL
 - INSULATOR MATERIAL:HIGH TEMP. THERMOPLASTIC(UL 94V-0).
 - CONTACT MATERIAL:COPPER ALLOY.
 - SPECIFICATION
 - TEMPERATURE:-40° to +105°C.
 - DIELECTRIC WITHSTANDING VOLTAGE:AC 600V AC.
 - INSULATION RESISTANCE:1000MΩ min.
 - CURRENT RATING:2A.
 - PRODUCT NUMBER CODE:
DS1023-26 - X X X X X X - N - 116



- POST SUPPORT
S:W/ POST
X:W/O POST
- PACKING TYPE
R:TAPE ON REEL
B:TUBE
- PICK UP SUPPORT
M:W/ MYLAR
S:W/ PICK UP
X:W/O PICK UP
- CONTACT PLATING
8: FULL GOLD FLASH
- HOUSING COLOR
B:BLACK
- No.OF CONTACTS
2*2-2*20



RECOMMEND PCB LAYOUT
(TOLERANCE=±0.05)

GENERAL TOLERANCE		ANGLE TOLERANCE	
X.	±0.60	X.	±5°
.X	±0.38	.X	±3°
.XX	±0.25	.XX	±2°

PROJECTION	TITLE
UNITS	2.54mm FEMALE HEADER DUAL ROW SMT TYPE H=3.55mm
SHEET SIZE	SERIES DS1023-26 SERIES

DRAWING TYPE	CUSTOMER
SCALE	1:1 SHEET 1 OF 1
DRAWING NO.	C-DS1023-26-XXXXXX-A

 晨翔电子有限公司
CONNFLY CONNFLY ELECTRONIC CO., LTD

Tel:86-574-63508787
Fax:86-574-63510817
E-mail:sale@connfly.com
http://www.connfly.com
Add:East...
Tow...
P.C.315333