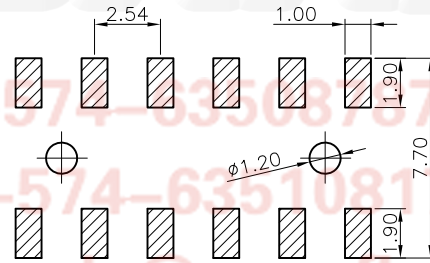
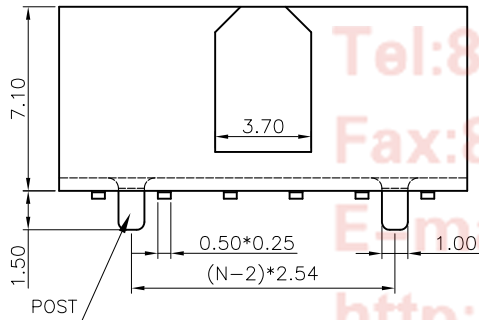
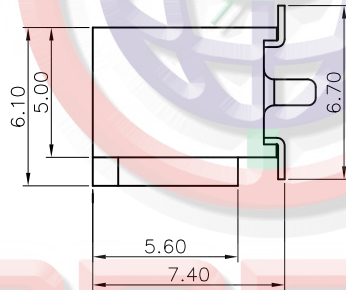
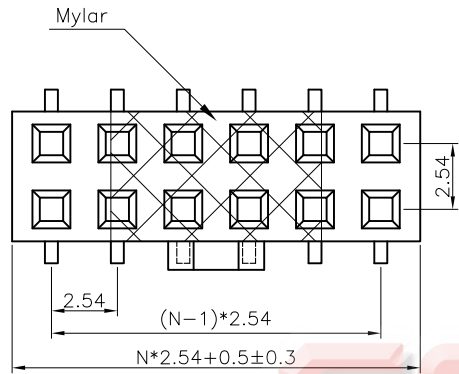


REV.	DESCRIPTION	DRAWN	CHECKED	APPROVED
A	NEW RELEASE	JLZ 04/03/15'		



RECOMMEND PCB LAYOUT
(TOLERANCE=±0.05)

NOTES:

- MATERIAL
 - INSULATOR MATERIAL:THERMOPLASTIC(UL 94V-0).
 - CONTACT MATERIAL:COPPER ALLOY.
- SPECIFICATION
 - TEMPERATURE:-40° to +105°C.
 - DIELECTRIC WITHSTANDING VOLTAGE:AC 500V AC.
 - INSULATION RESISTANCE:1000MΩ min.
 - CURRENT RATING:3A.

3. PART NUMBER: DS1023-17

4. PRODUCT NUMBER CODE:

DS1023-17 - X X X X X - ELTECH -011

- POST SUPPORT
S:W/ POST
X:W/O POST
- PACKING TYPE
R:TAPE ON REEL
- MYLAR SUPPORT
S:W/ MYLAR
- CONTACT PLATING
8: FULL GOLD FLASH
- HOUSING COLOR
B:BLACK
- No.OF CONTACTS
2*2-2*40

Tel:86-574-3350817
 Fax:86-574-63510817
 E-mail:sale@connfly.com
 http://www.connfly.com
 Add:East Industry Zone KuangYan
 Town Cixi Ningbo China
 P.C:315333

GENERAL TOLERANCE		ANGLE TOLERANCE	
X.	±0.60	X.	±5'
.X	±0.38	.X	±3'
.XX	±0.25	.XX	±2'

PROJECTION		TITLE	FEMALE HEADER PITCH 2.54mm
UNITS	mm	SMT TYPE H=7.1mm W/ POLARIZATION	
SHEET SIZE	A4	SERIES	DS1023-17 SERIES

FOR ELTECH ONLY

DRAWING TYPE	CUSTOMER		
SCALE	1:1	SHEET	1 OF 1
DRAWING NO.	C-DS1023-17-XXXXXX		

晨翔电子有限公司
CONNFLY CONNFLY ELECTRONIC CO. LTD