

REV.	DESCRIPTION	DRAWN	CHECKED	APPROVED
A	NEW RELEASE	JLZ 03/23/18'	~	

NOTES:

- MATERIAL
 - INSULATOR:THERMOPLASTIC(UL 94V-0).
 - CONTACT: COPPER ALLOY.
- SPECIFICATION
 - TEMPERATURE:-25°C ~ +85°C.
 - CONTACT RESISTANCE:30mΩ max.
 - INSULATION RESISTANCE:100MΩ min.
 - DIELECTRIC WITHSTANDING VOLTAGE:AC 100V PER MINUTE.
- PART NUMBER: DS1020-22
- PRODUCT NUMBER CODE:
DS1020-22- X X X X X X

PACKING TYPE
B: TUBE (W/O MYLAR)
R: TAPE ON REEL

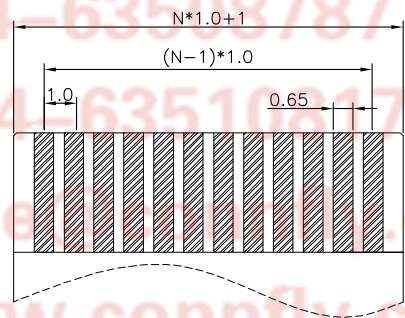
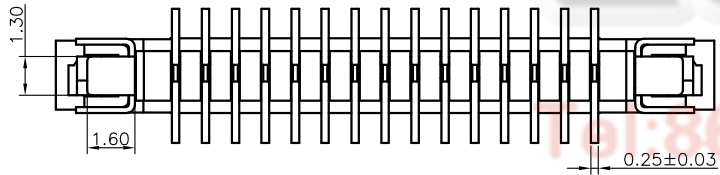
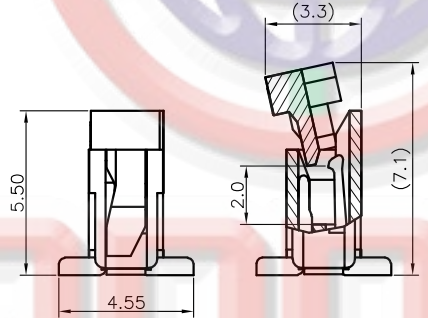
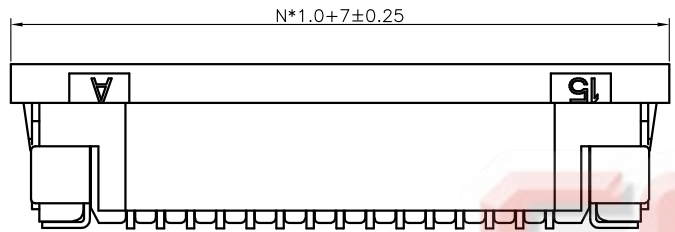
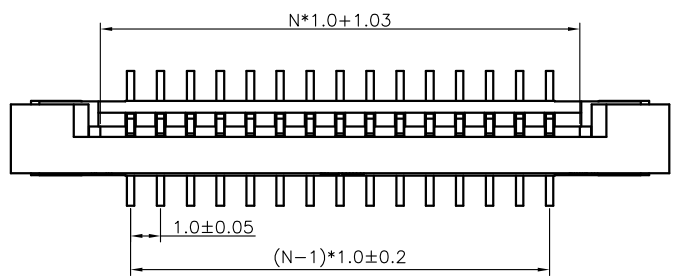
MYLAR SUPPORT
S: W/ MYLAR
X: W/O MYLAR

CONTACT PLATING
T1: TIN

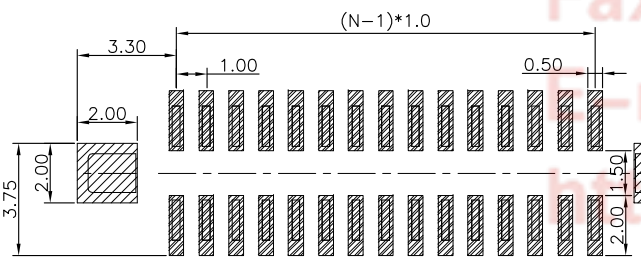
COVER COLOR
B: BLACK

HOUSING COLOR
V: IVORY

No. OF CONTACTS
04~40



RECOMMEND FFC DIM.



RECOMMEND PCB LAYOUT(TOLERANCE=±0.05)

GENERAL TOLERANCE	ANGLE TOLERANCE
X. ±0.60	X. ±5°
.X ±0.38	.X ±3°
.XX ±0.25	.XX ±2°

PROJECTION		TITLE	1.0mm FPC
UNITS	mm		ZIF V/T SMT TYPE
SHEET SIZE	A4	SERIES	DS1020-22 SERIES

DRAWING TYPE	CUSTOMER
SCALE	1:1 SHEET 1 OF 1
DRAWING NO.	C-DS1020-22-XXXXXX-A



晨翔电子有限公司

CONNFLY CONNFLY ELECTRONIC CO. LTD