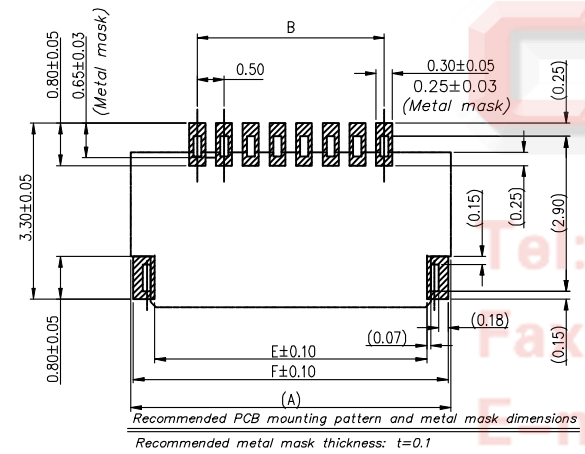
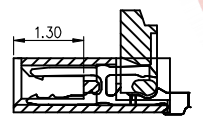
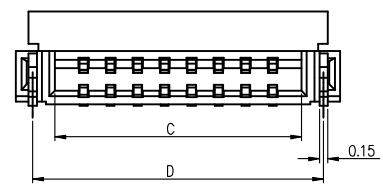
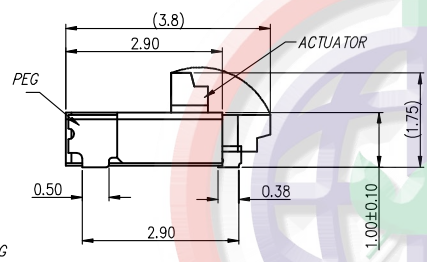
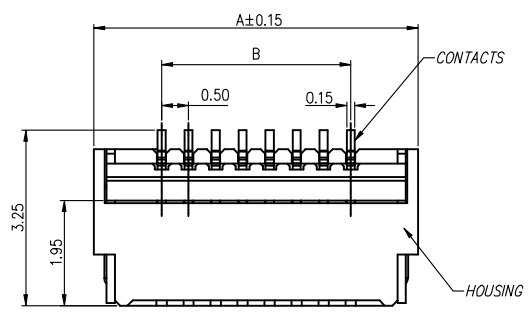


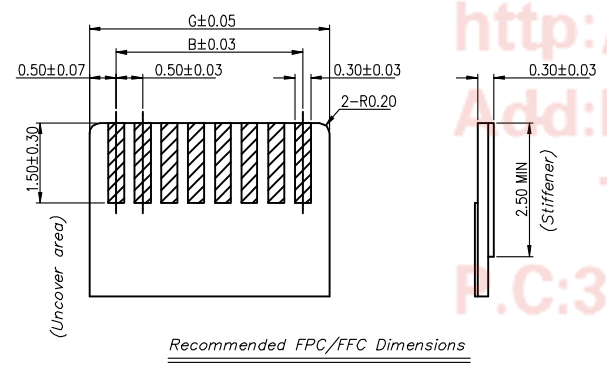
REV.	DESCRIPTION	DRAWN	CHECKED	APPROVED
A	NEW RELEASE	JLZ 10/11/16'	~	

- NOTES:
- MATERIAL
 - INSULATOR:THERMOPLASTIC(UL 94V-0).
 - CONTACT: COPPER ALLOY.
 - SPECIFICATION
 - TEMPERATURE:-25°C ~ +85°C.
 - CONTACT RESISTANCE:30mΩ max.
 - INSULATION RESISTANCE:100MΩ min.
 - DIELECTRIC WITHSTANDING VOLTAGE:AC 100V PER MINUTE.
 - PRODUCT NUMBER CODE:
DS1020-19- X X X X X

- PACKING TYPE
R: Tape on reel
- CONTACT PLATING
6: Tin
- COVER COLOR
B: Black
V: Ivory
- HOUSING COLOR
V: Ivory
- No. OF CONTACTS
04~50



Number of Contacts	DIM A	DIM B	DIM C	DIM D	DIM E	DIM F	DIM G
50	27.00	24.50	25.57	26.39	26.10	26.90	25.50
45	24.50	22.00	23.07	23.89	23.60	24.40	23.00
40	22.00	19.50	20.57	21.39	21.10	21.90	20.50
34	19.00	16.50	17.57	18.39	18.10	18.90	17.50
32	18.00	15.50	16.57	17.39	17.10	17.90	16.50
30	17.00	14.50	15.57	16.39	16.10	16.90	15.50
26	15.00	12.50	13.57	14.39	14.10	14.90	13.50
24	14.00	11.50	12.57	13.39	13.10	13.90	12.50
23	13.50	11.00	12.07	12.89	12.60	13.40	12.00
22	13.00	10.50	11.57	12.39	12.10	12.90	11.50
20	12.00	9.50	10.57	11.39	11.10	11.90	10.50
16	10.00	7.50	8.57	9.39	9.10	9.90	8.50
14	9.00	6.50	7.57	8.39	8.10	8.90	7.50
12	8.00	5.50	6.57	7.39	7.10	7.90	6.50
11	7.50	5.00	6.07	6.89	6.60	7.40	6.00
10	7.00	4.50	5.57	6.39	6.10	6.90	5.50
8	6.00	3.50	4.57	5.39	5.10	5.90	4.50
7	5.50	3.00	4.07	4.89	4.60	5.40	4.00
6	5.00	2.50	3.57	4.39	4.10	4.90	3.50
4	4.00	1.50	2.57	3.39	3.10	3.90	2.50



GENERAL TOLERANCE		ANGLE TOLERANCE	
X.	±0.60	X.	±5°
.X	±0.38	.X	±3°
.XX	±0.25	.XX	±2°
DRAWING TYPE		CUSTOMER	
SCALE	1:1	SHEET	1 OF 1
DRAWING NO.	C-DS1020-19-XXXXXX-A		

PROJECTION		TITLE	0.5mm FPC
UNITS	mm		ZIF R/A SMT TYPE L=3.25mm
SHEET SIZE	A4	SERIES	DS1020-19 SERIES

晨翔电子有限公司
CONNFLY CONNFLY ELECTRONIC CO. LTD