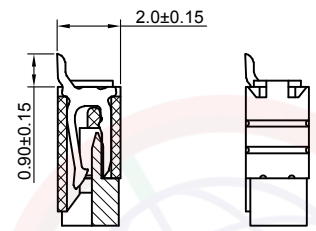
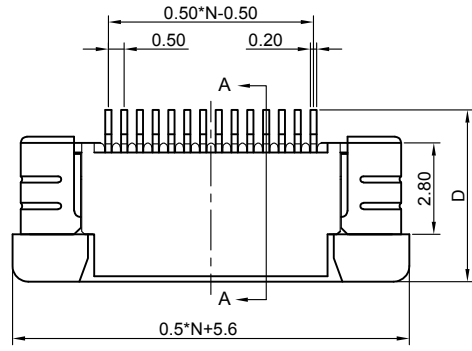
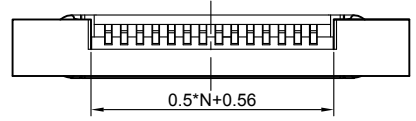


Dept	
Qty	
DC	1
ED	1
IE	1
ISO	1
PD	1
R&D	1
SD	1
QA	1
QC	1
QF	1

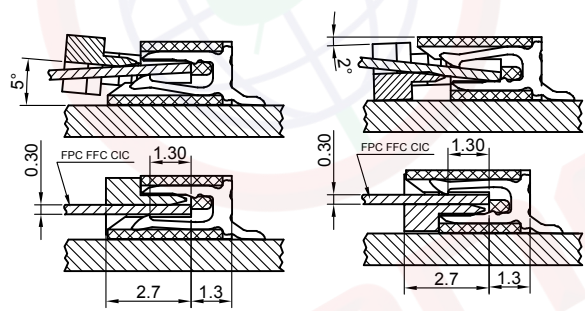
N=4~34 D=5.2
N=35~60 D=5.75



Section A-A

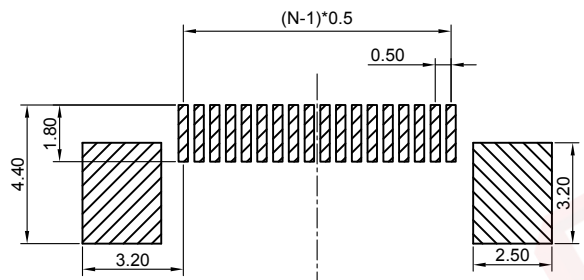


N=No. of contacts

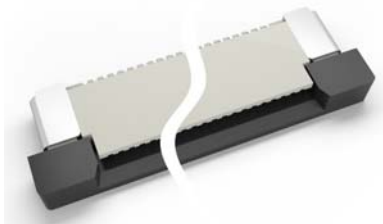


Lower contact side

Upper contact side



Recommend PCB layout(Tolerance:±0.05)



(Series Image-Reference Only)

REV.	DESCRIPTION	DRAWN	CHECKED	APPROVED
A	NEW RELEASE	YCH 09/04/08'		LJC 09/04/08'
D	DRAWING UPDATE	JLZ 03/23/19'		

Notes:

Specifications:

- Contact resistance: 30mΩ Max.
- Insulation resistance: 500MΩ Min.
- Dielectric withstanding voltage: 250V AC(rms) for 1 minute.
- Current rating:0.5A.
- Voltage rating:50V DC/AC.
- Temperature: -40°C~+105°C.

Materials:

- Contact material: Copper alloy.
- Contact plating: Gold/tin plating over nickel.
- Insulator material: High temp,UL94-V0.

Product number code:

DS1020-09- X X X X - X

- Packing type
- R: Tape on reel
- N/A Code: Tube
- Contact type
- A: Lower contact
- B: Upper contact
- Contact plating
- T1: Tin
- 8: Full gold flash
- Cover color
- B:Black
- Housing color
- V:Ivory
- No. of contacts
- 04~60

GENERAL TOLERANCE		ANGLE TOLERANCE		PROJECTION		TITLE	0.50mm FPC CONNECTOR	
X.	±0.60	X.	±5°	UNITS	mm	R/A SMT TYPE		
.X	±0.38	.X	±3°	SHEET SIZE	A4	SERIES	DS1020-09 SERIES	
.XX	±0.25	.XX	±2°	晨翔电子有限公司 CONNFLY CONNFLY ELECTRONIC CO. LTD				
DRAWING TYPE		CUSTOMER						
SCALE	1:1	SHEET	1 OF 1					
DRAWING NO.		C-DS1020-09-XXXXX-D						

The information provided herein is from CONNFLY Electronic Co., Ltd. and is confidential. Any disclosure to a party other than the recipient is prohibited. The intellectual properties and its rights contained herein, including but not limited to, trademarks, patents, copyrights, trade secrets, and technical know-how, are owned exclusively by CONNFLY or its affiliates. Unauthorized use or reproduction of any part of this document is strictly prohibited. CONNFLY may enforce its intellectual property rights at its own discretion, failures or delays to exercise such rights does not constitute a waiver of such rights.