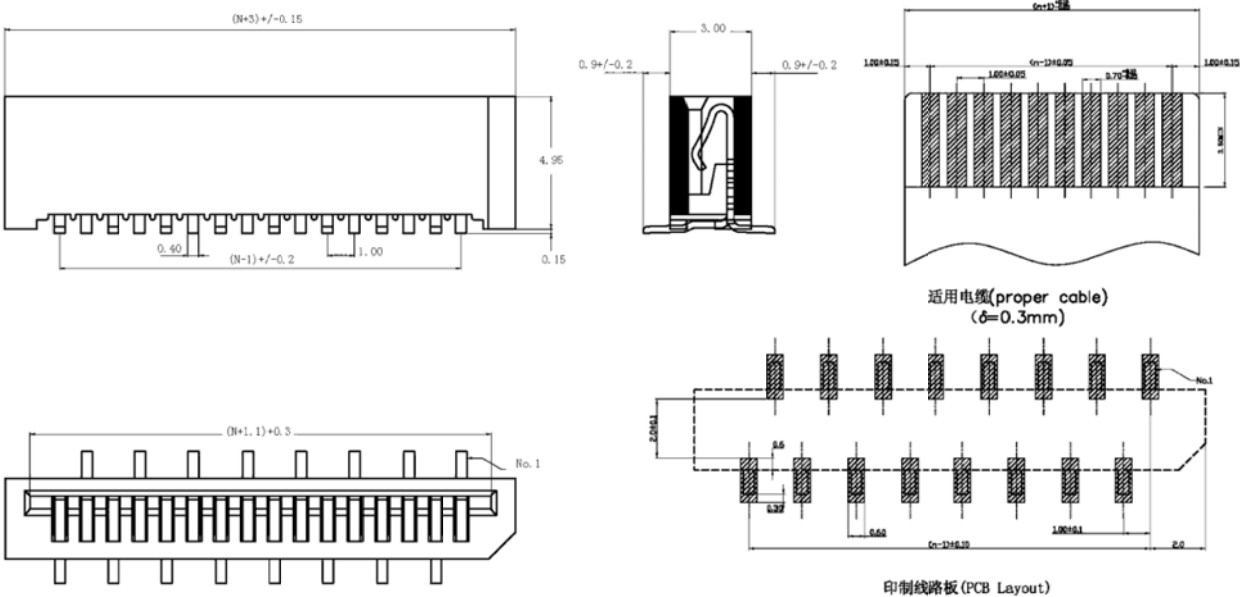


REV.	DESCRIPTION	DRAWN	CHECKED	APPROVED
A	NEW RELEASE	JLZ 08/28/15'	~	

- NOTES:
- MATERIAL
 - INSULATOR:THERMOPLASTIC(UL 94V-0).
 - CONTACT: COPPER ALLOY.
 - SPECIFICATION
 - TEMPERATURE:-45~+110°C.
 - CONTACT RESISTANCE:20mΩ max.
 - INSULATION RESISTANCE:100MΩ min.
 - DIELECTRIC WITHSTANDING VOLTAGE:AC 100V PER MINUTE.

- PART NUMBER: DS1020-05
- PRODUCT NUMBER CODE:
 DS1020-05- X X X X - N - 041
 X: PACKING TYPE
 R: TAPE ON REEL
 B: TUBE
 X: CONTACT PLATING
 T1: TIN
 X: HOUSING COLOR
 W: WHITE
 X: No. OF CONTACTS
 03~40



GENERAL TOLERANCE	ANGLE TOLERANCE	PROJECTION	TITLE	1.00mm FPC CONNECTOR	
X. ± 0.60	X. $\pm 5^\circ$	UNITS	mm	V/T SMT TYPE	
.X ± 0.38	.X $\pm 3^\circ$	SHEET SIZE	A4	SERIES DS1020-05 SERIES	
.XX ± 0.25	.XX $\pm 2^\circ$	晨翔电子有限公司 CONFLY CONFLY ELECTRONIC CO. LTD			
DRAWING TYPE	CUSTOMER				
SCALE	1:1				SHEET
DRAWING NO.	C-DS1020-05-XXX-N-041				