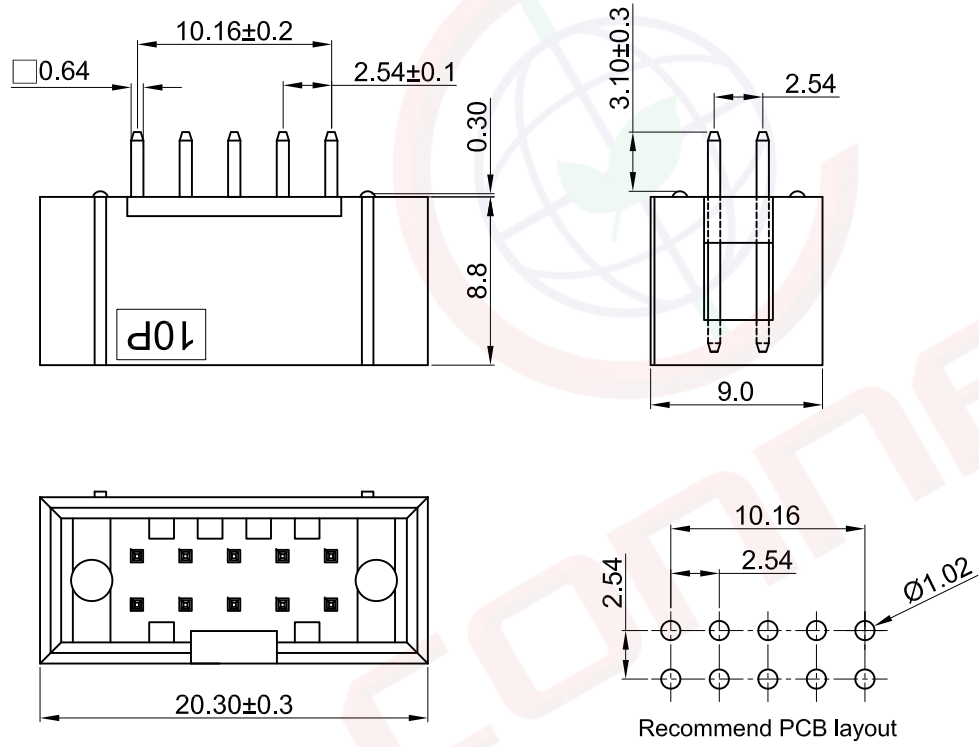


Dept	1	2	3	4	5	6	7	8
Qty	P/N Code:DS1013-10SSIv1-B-0							
REV.	A	DESCRIPTION	NEW RELEASE	DRAWN	JLZ 01/03/24'	CHECKED	APPROVED	
DC	1							
ED	1							
IE	1							
ISO	1							
PD	1							
R&D	1							
SD	1							
QA	1							
QC	1							
QF	1							

The information provided herein is from CONNELY Electronic Co., Ltd. and is confidential. Any disclosure to a party other than the recipient is prohibited. The intellectual properties and its rights contained herein, including but not limited to, trademarks, patents, copyrights, trade secrets, and technical know-how, are owned exclusively by CONNELY or its affiliates. Unauthorized use of this information in any format or manner. CONNELY may enforce its intellectual property rights at its own discretion; failures or delays to exercise such rights does not constitute a waiver of such rights.



Notes:

Specifications:

1. Contact Resistance: 20mΩ Max.
2. Insulation Resistance: 1000MΩ Min.
3. Dielectric Withstanding Voltage: 600V AC/Minute.
4. Current Rating:3A.
5. Temperature: -40°C~+105°C.

Materials:

1. Contact Material: Copper Alloy.
2. Contact Plating: Gold Plating Over Nickel.
3. Insulator Material: PBT,Ivory,UL94-V0.

Product number code:

DS1013- X X X X X - X - X

- Housing material: 0: PBT UL94 V-0
- Plating level: B: Level B
- DIM. E type(For V/T only): 1: 3.10
- Housing color: V: Ivory
- Contact plating: Si: Full gold flash
- Mounting type: S: V/T type
- No.of contacts: 10

GENERAL TOLERANCE		ANGLE TOLERANCE		PROJECTION		TITLE	2.54mm BOX HEADER
X.	±0.60	X.	±5°	UNITS	mm	V/T TYPE	
.X	±0.38	.X	±3°	SHEET SIZE	A4	SERIES	DS1013 SERIES
.XX	±0.25	.XX	±2°	晨翔电子有限公司 CONNELY CONNELY ELECTRONIC CO. LTD			
DRAWING TYPE		CUSTOMER					
SCALE	1:1	SHEET	1 OF 1				
DRAWING NO.		C-DS1013-10SSIv1-B-0-A					