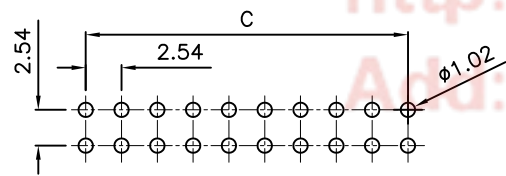
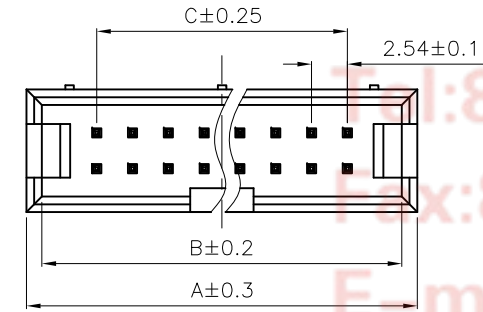
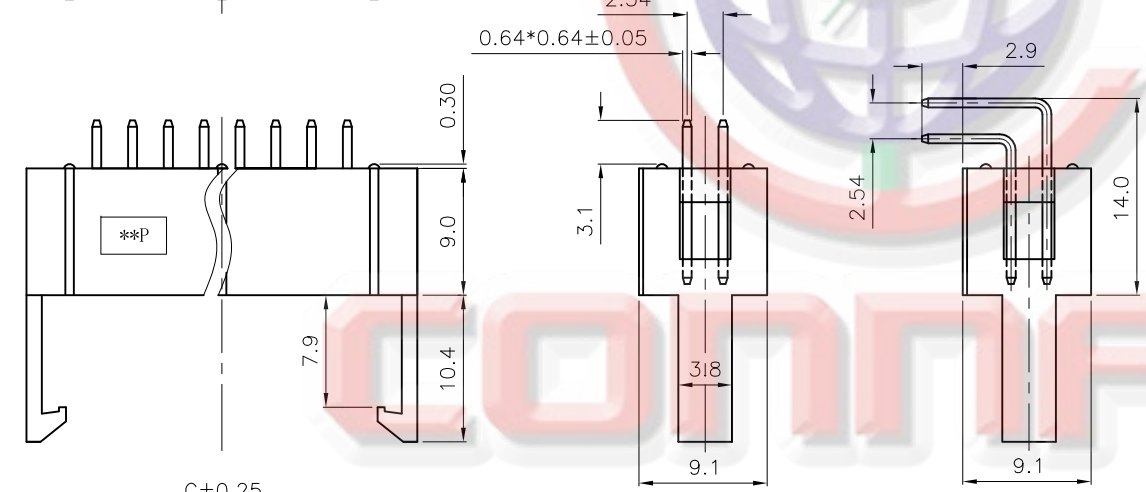
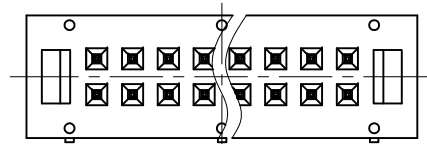


REV.	DESCRIPTION	DRAWN	CHECKED	APPROVED
A	NEW RELEASE	YCH 12/18/09'	~	LJC 12/18/09'
B	ADD P/N CODE	YCH 12/18/09'		



RECOMMEND PCB LAYOUT(TOLERANCE=±0.05)

NOTES:

- ELECTRICAL CHARACTERISTICS:
 - CONTACT RESISTANCE: 20mΩ Max. INITIAL.
 - DIELECTRIC WITHSTANDING VOLTAGE: 500V AC(rms) FOR 1 MINUTE.
 - INSULATION RESISTANCE: 1000MΩ Min.
 - ENVIRONMENT CHARACTERISTICS:
 - TEMPERATURE RANGE: -40°C~+105°C.
 - PART NUMBER: DS1013-01
 - PRODUCT NUMBER CODE:
DS1013-01- X X X X - X
- PLATING LEVE(FULL GOLD ONLY):
3A: LEVEL 3A B: LEVEL B
- HOUSING COLOR
B: BLACK
W: WHITE
U: BLUE
A: GRAY
- CONTACT PLATING
Si: FULL GOLD FLASH
- MOUNTING TYPE
S: V/T TYPE
R: R/A TYPE
- No.OF CONTACTS
06 08 10 14 16
20 26 30 34
40 50 60 64

Dimension

Position	A	B	C				
06	15.22	13.02	5.08	26	40.62	38.42	30.48
08	17.76	15.56	7.62	30	45.70	43.50	35.56
10	20.30	18.10	10.16	34	50.78	48.58	40.64
12	22.84	20.64	12.70	40	58.40	56.20	48.26
14	25.38	23.18	15.24	50	71.10	68.90	60.96
16	27.92	25.72	17.78	60	83.80	81.60	73.66
20	33.00	30.80	22.86	64	88.88	86.68	78.74

GENERAL TOLERANCE		ANGLE TOLERANCE	
X.	±0.60	X.	±5°
.X	±0.38	.X	±3°
.XX	±0.25	.XX	±2°

PROJECTION	TITLE	BOX HEADER PITCH 2.54mm WITH LATCH TYPE	
UNITS	mm		
SHEET SIZE	A4	SERIES	DS1013-01 SERIES

DRAWING TYPE	CUSTOMER		
SCALE	1:1	SHEET	1 OF 1
DRAWING NO.	C-DS1013-01-XXXX-X-B		


晨翔电子有限公司
CONNFLY ELECTRONIC CO., LTD