

REV.	DESCRIPTION	DRAWN	CHECKED	APPROVED
A	NEW RELEASE	HP 07/12/05'		LJC 07/12/05'
B	DRAWING UPDATE	JLZ 07/28/18'		

Dept	Qty
DC	1
ED	1
IE	1
ISO	1
PD	1
R&D	1
SD	1
QA	1
QC	1
QE	1

TECHNICAL DATA

- MATERIAL
 - Pin(Outer Sleeve): Brass,Machined,CuZn38Pb2
 - Clip(Contact 4/6 Finger): Copper alloy,Heat Treated
- ELECTRICAL
 - Current Rating: 3A Per Pin max.
 - Contact Resistance: $\leq 20m\Omega$ /Contact.

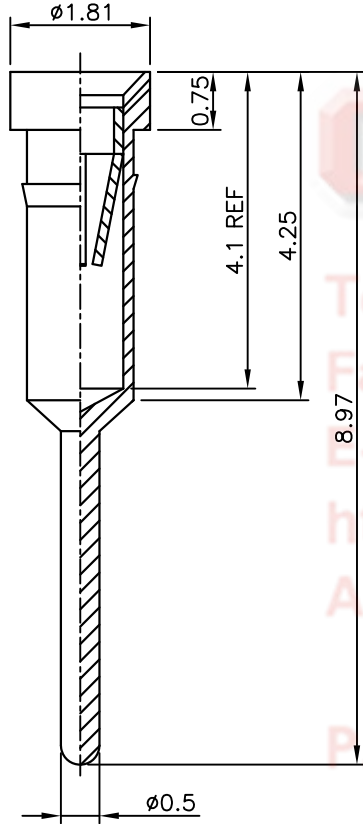
3. MECHANICAL

- *Average Insertion Force With Steel Pin of $\phi 0.43mm/0.017"$:
4-Finger $\leq 270g$,6-Finger $\leq 120g$
- *Average Withdrawal Force With Steel Pin of $\phi 0.50mm/0.020"$:
4-Finger $\geq 25g$,6-Finger $\geq 15g$
- *Mechanical Life: min 200 Cycles

4. PRODUCT NUMBER CODE:

DS1005-11 - X X X

- CLIP PLATED
 - 6: Full Tin
 - 8: Full Gold flash
 - C: Full Gold 3u"
 - A: Full Gold 10u"
 - B: Full Gold 15u"
- PIN PLATED
 - 6: Full Tin
 - 8: Full Gold flash
 - C: Full Gold 3u"
 - A: Full Gold 10u"
 - B: Full Gold 15u"
- CLIPS
 - 4: 4Finger
 - 6: 6Finger
- SERIES NO
DS1005-11



CONNFLY

Tel:86-574-63508787
 Fax:86-574-63510817
 E-mail:sale@connfly.com
 http://www.connfly.com
 Add:East Industry Zone KuangYan
 Town Cixi Ningbo China
 P.C:315322

GENERAL TOLERANCE		ANGLE TOLERANCE		PROJECTION		TITLE	SOCKET TERMINALS 8.97mm	
X.	± 0.60	X.	$\pm 5^\circ$	UNITS	mm	SHEET	A4	
.X	± 0.38	.X	$\pm 3^\circ$	SHEET SIZE	A4	SERIES	DS1005-11 SERIES	
.XX	± 0.25	.XX	$\pm 2^\circ$	晨翔电子有限公司 CONNFLY CONNFLY ELECTRONIC CO. LTD				
DRAWING TYPE		CUSTOMER						
SCALE		1:1 SHEET 1 OF 1						
DRAWING NO.		C-DS1005-11-XXX-B						

The information provided herein is from CONNFLY Electronic Co., Ltd. and is confidential. Any disclosure to a party other than the recipient is prohibited. The intellectual properties and its rights contained herein, including but not limited to, trademarks, patents, copyrights, trade secrets, and technical know-how, are owned exclusively by CONNFLY or its affiliates. Unauthorized use or modification is strictly prohibited. CONNFLY may enforce its intellectual property rights at its own discretion; failures or delays to exercise such rights does not constitute a waiver of such rights.