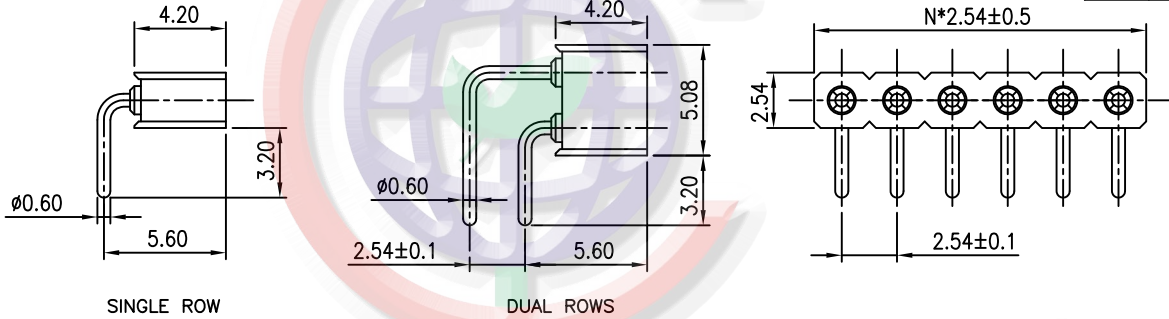


REV.	DESCRIPTION	DRAWN	CHECKED	APPROVED
A	NEW RELEASE	JLZ 07/11/14'		

R/A TYPE



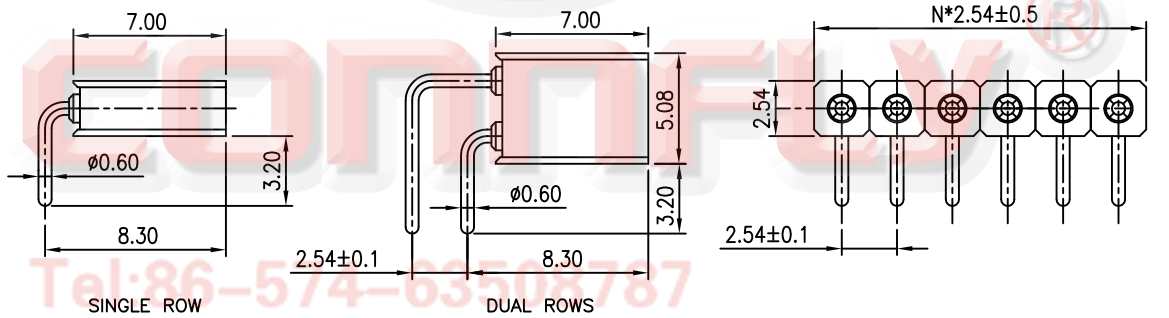
NOTES:

- ELECTRICAL:
 - Current rating: 3Amps/contact max.
 - Contact resistance: $\leq 20m\Omega$ /contact.
 - Insulation resistance: $\geq 1000M\Omega$ at V=100V.
 - Operating voltage: 60V AC/DC.

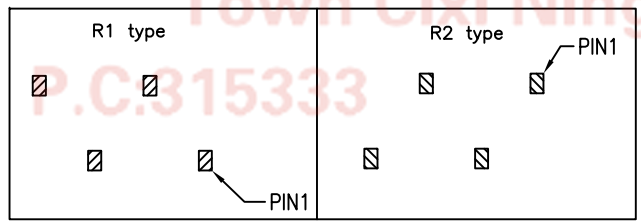
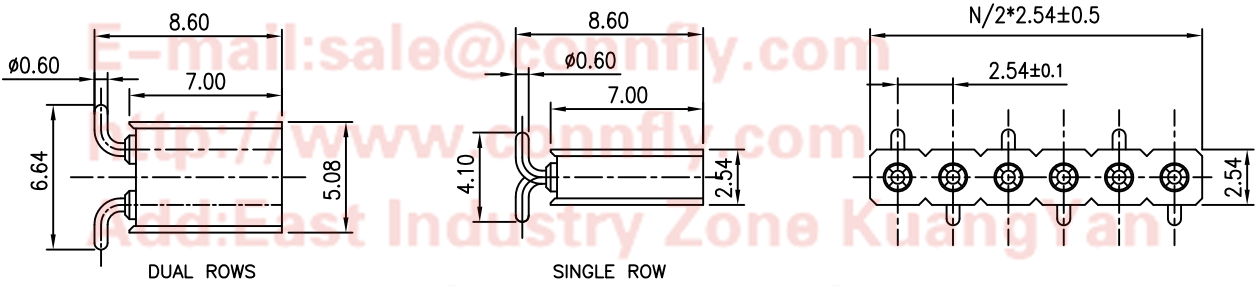
2. PRODUCT NUMBER CODE:

DS1002-08 - X X X X X X X

- Packing type
R: Tape on reel
B: Tube
- Bend type(For single row SMT only)
A: R1
B: R2
- Profile height
420: 4.20mm
700: 7.00mm
- CLIP PLATING OPTION
1: Tin 150u"
2: Tin 200u"
3: G/F
4: Gold 3u"
5: Gold 10u"
6: Gold 15u"
- PIN PLATING OPTION
1: Tin 150u"
2: Tin 200u"
3: G/F
4: Gold 3u"
5: Gold 10u"
6: Gold 15u"
- MOUNTING TYPE
R: R/A TYPE
S: SMT TYPE
- No. OF CONTACTS
1*1 to 1*40
2*2 to 2*40
- SERIES NO
DS1002-08



SMT TYPE



GENERAL TOLERANCE		ANGLE TOLERANCE	
X.	±0.60	X.	±5°
.X	±0.38	.X	±3°
.XX	±0.25	.XX	±2°

PROJECTION		TITLE	SMT & R/A IC SOCKET PITCH 2.54mm
UNITS	mm		MATING PIN 0.47
SHEET SIZE	A4	SERIES	DS1002-08 SERIES

DRAWING TYPE	CUSTOMER		
SCALE	1:1	SHEET	10F1
DRAWING NO.	C-DS1002-08-XXXXXXX-A		

晨翔电子有限公司
CONNFLY CONNFLY ELECTRONIC CO. LTD