

REV.	DESCRIPTION	DRAWN	CHECKED	APPROVED
A	NEW RELEASE	JLZ 01/24/18'		

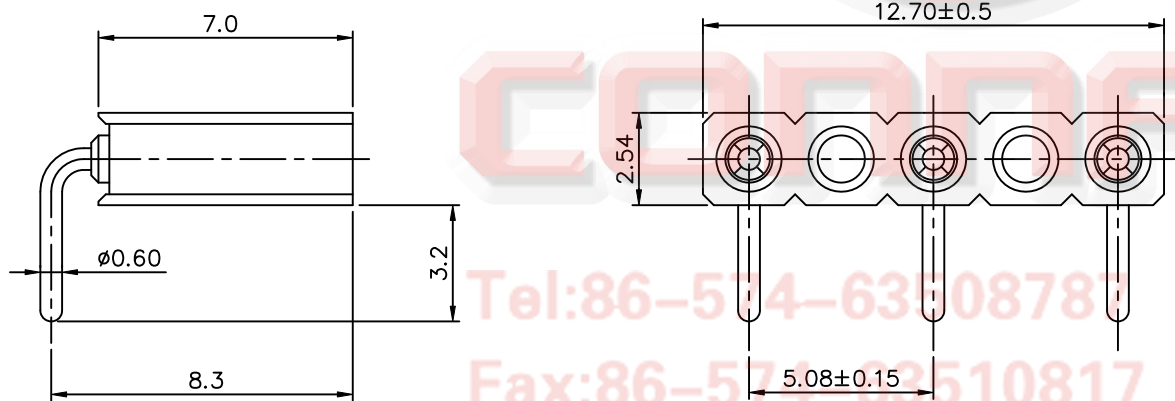
NOTES:

- ELECTRICAL:
 - Current rating: 3Amps/contact max.
 - Contact resistance: $\leq 20m\Omega$ /contact.
 - Insulation resistance: $\geq 1000M\Omega$ at V=100V.
 - Operating voltage: 60V AC/DC.

2. PRODUCT NUMBER CODE:

DS1002-08 - X X X X X - C2.4

- Packing type
B: Tube
- Profile height
700: 7.00mm
- CLIP PLATING OPTION
3: G/F
- PIN PLATING OPTION
1: Tin 150u"
- MOUNTING TYPE
R: R/A TYPE
- No.OF CONTACTS
1*5



Tel:86-574-6310878

Fax:86-574-63510817

E-mail:sale@connfly.com

http://www.connfly.com

Add:East Industry Zone KuangYan

Town Cixi Ningbo China

P.C:315333

GENERAL TOLERANCE		ANGLE TOLERANCE	
.X	±0.60	.X	±5°
.X	±0.38	.X	±3°
.XX	±0.25	.XX	±2°

PROJECTION	TITLE
	SMT & R/A IC SOCKET PITCH 2.54mm
UNITS	MATING PIN $\phi 0.6$
SHEET SIZE	SERIES DS1002-08 SERIES

DRAWING TYPE	CUSTOMER		
SCALE	1:1	SHEET	10F1
DRAWING NO.	C-DS1002-08-1*5R13700B-C2.4-A		

晨翔电子有限公司
CONNFLY CONNFLY ELECTRONIC CO. LTD