

REV.	DESCRIPTION	DRAWN	CHECKED	APPROVED
A	NEW RELEASE	LL 07/01/06'		

NOTES:

- ELECTRICAL:
 - 1.1 Current rating: 3Amps/contact max.
 - 1.2 Contact resistance: $\leq 20\text{m}\Omega/\text{contact}$.
 - 1.3 Insulation resistance: $\geq 1000\text{M}\Omega$ at $V=100\text{V}$.
 - 1.4 Operating voltage: 60V AC/DC.

2. PRODUCT NUMBER CODE:

DS1002-07 - X X X X X

DIM L TYPE
 1: TYPE 1
 2: TYPE 2
 3: TYPE 3
 4: TYPE 4
 5: TYPE 5
 6: TYPE 6
 7: TYPE 7
 8: TYPE 8

CONTACT TYPE
 1: TYPE 1
 2: TYPE 2

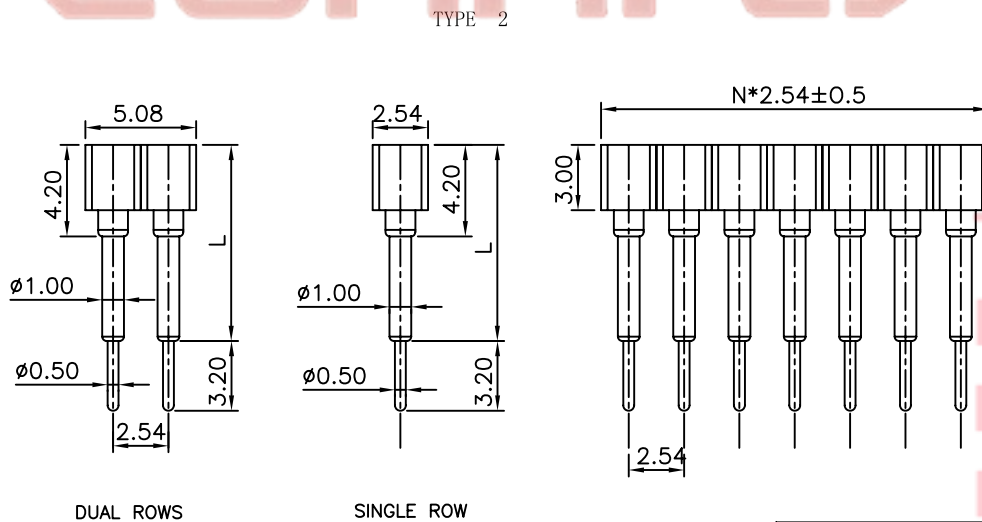
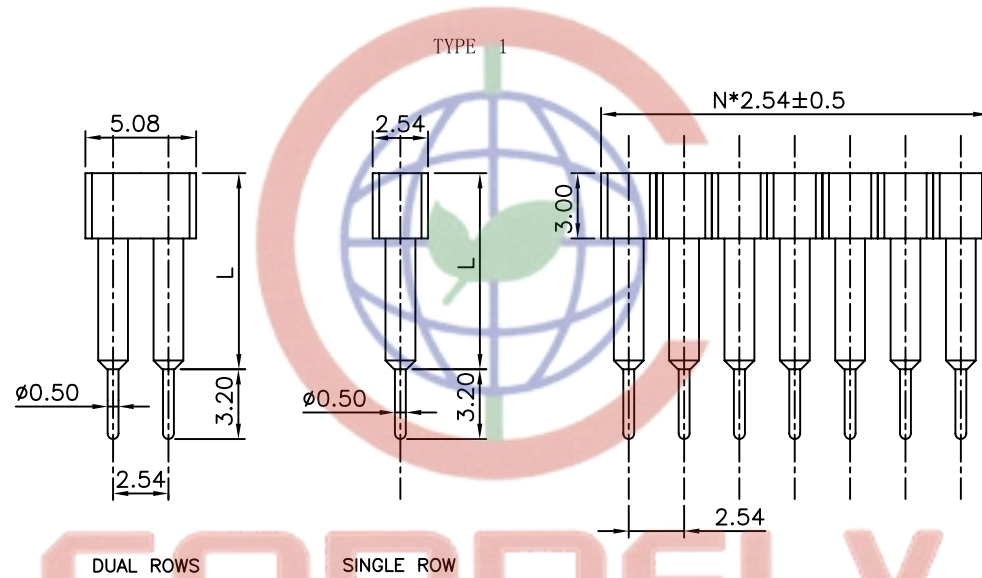
CLIP PLATING
 1: Tin 150u"
 2: Tin 200u"
 3: G/F
 4: Gold 3u"
 5: Gold 10u"
 6: Gold 15u"

PIN PLATING
 1: Tin 150u"
 2: Tin 200u"
 3: G/F
 4: Gold 3u"
 5: Gold 10u"
 6: Gold 15u"

No. OF CONTACTS
 1*1 to 1*40
 2*2 to 2*40
 SERIES NO
 DS1002-07

TABLE A

TYPE	DIMENSION (L)
1	6.00
2	7.00
3	8.00
4	9.00
5	10.00
6	11.00
7	12.00
8	14.60
9	



GENERAL TOLERANCE		ANGLE TOLERANCE		PROJECTION		TITLE	SIP IC SOCKET PITCH 2.54mm
X.	± 0.60	X.	$\pm 5^\circ$	UNITS	mm		MATING PIN $\phi 0.47$
.X	± 0.38	.X	$\pm 3^\circ$	SHEET SIZE	A4	SERIES	DS1002-07 SERIES
.XX	± 0.25	.XX	$\pm 2^\circ$	晨翔电子有限公司 CONNFLY CONNFLY ELECTRONIC CO. LTD			
DRAWING TYPE		CUSTOMER					
SCALE	1:1	SHEET	10F1				
DRAWING NO.		C-DS1002-07-XXXXX					

Tel: 86-574-63508787
 Fax: 86-574-63510817
 E-mail: sale@zhenqin.com.cn
 Http://www.connfly.com