

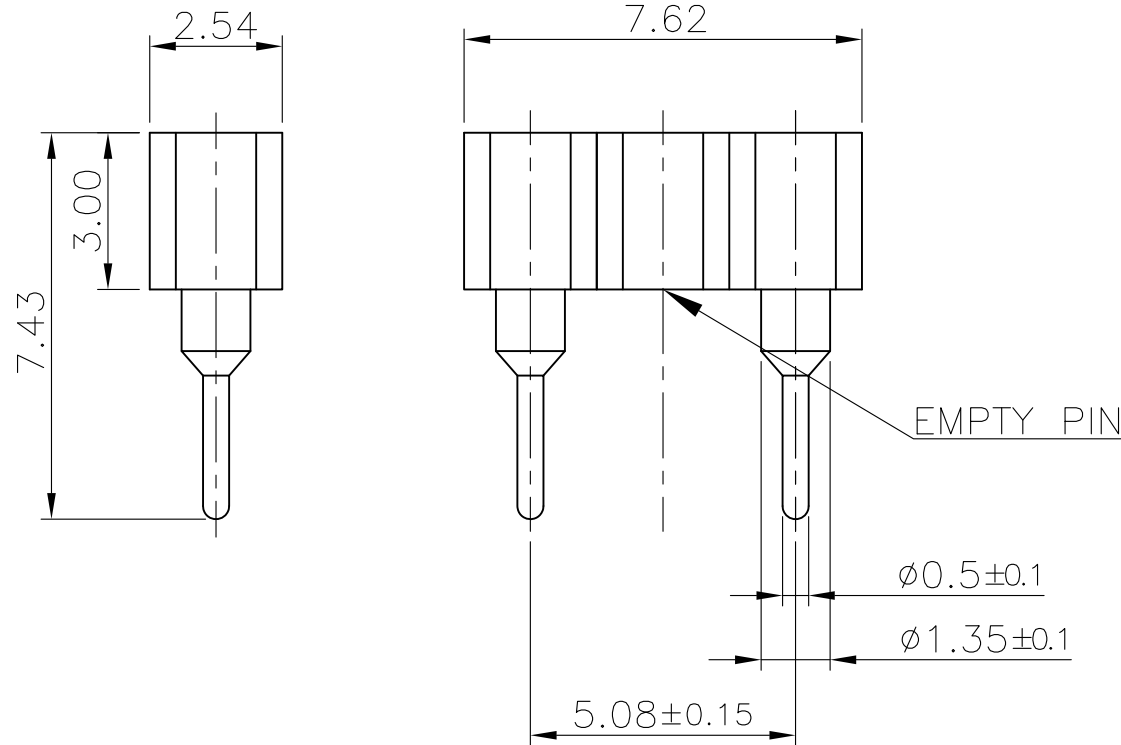
REV.	DESCRIPTION	DRAWN	CHECKED	APPROVED
A	NEW RELEASE	ZHJ 10/05/15'	~	

NOTES:

- ELECTRICAL CHARACTERISTICS:
  - CONTACT RESISTANCE: 20mΩ Max.
  - DIELECTRIC WITHSTANDING VOLTAGE: 500V AC(rms) FOR 1 MINUTE.
  - INSULATION RESISTANCE: 1000MΩ Min.
- ENVIRONMENT CHARACTERISTICS:
  - OPERATING TEMPERATURE: 0°C~+85°C.
  - STORAGE TEMPERATURE: -20°C~+70°C.
- PRODUCT NUMBER CODE:

DS1002-01 - X X X X - JK - C2 - ELTECH - 013

- X X X X - Empty PIN 2
- JK - Clip plating 3: G/F
- C2 - Pin plating 1: Tin 150u"
- ELTECH - Mounting type V: V/T TYPE
- 013 - No. of contacts 1\*3



GENERAL TOLERANCE		ANGLE TOLERANCE		PROJECTION		TITLE	2.54mm IC SOCKET	
X.	±0.60	X.	±5°	UNITS	mm	V/T Speical Type		
.X	±0.38	.X	±3°	SHEET SIZE	A4	SERIES	DS1002-01	
.XX	±0.25	.XX	±2°	<b>晨翔电子有限公司</b> <b>CONNFLY CONNFLY ELECTRONIC CO. LTD</b>				
DRAWING TYPE		CUSTOMER						
SCALE	1:1	SHEET	10F1					
DRAWING NO.		C-DS1002-01-1*3V13-ELTECH-013						

**FOR ELTECH ONLY**