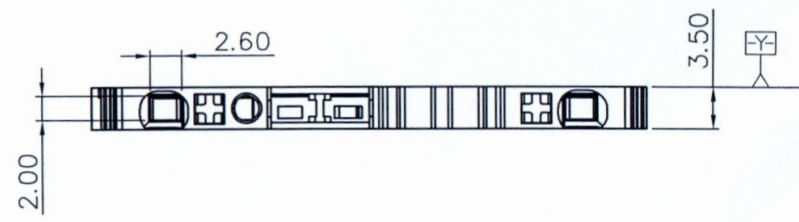
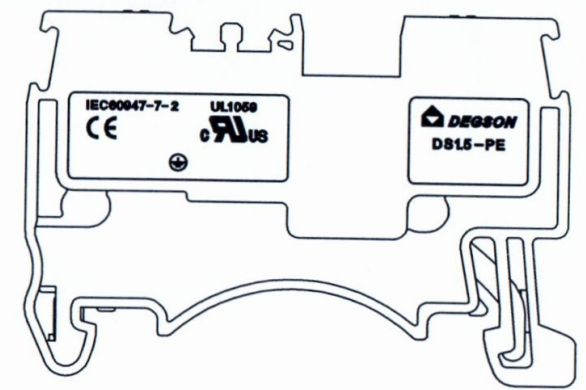
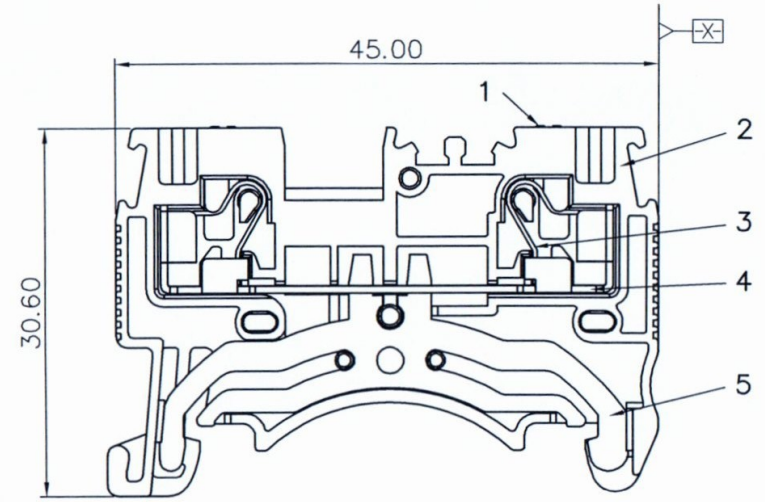


REVISION RECORD				
REV	ECN	DESCRIPTION	DRFT	DATE



仅供参考图  
 签字: 蓝贵A  
 日期: 2016.06.16

DS1.5-PE-01P-1C-00AH  
 DS1.5-PE - series  
 01P - no value  
 1 - single-row  
 C - color of housing (yellow-green color)  
 00AH - no value  
 Rated surge voltage 1000 volts



NOTES1:  
 UL Standard  
 1.Wire Range : 26~14AWG

IEC Standard

1.	Pollution Degree	3
	Overvoltage Category	III
	Rate Impulse Voltage(KV)	6.0KV
	Rate Voltage(V)	/
	Rate Current(A)	/

2.Wire Range : 0.2~1.5mm<sup>2</sup>

NOTES2:  
 1.Dimension shall be interpreted per ASME Y14.5-2009  
 2.Pitch : 3.5mm, Poles : N=01P  
 3.Stripping length : 8-10mm  
 4.Operating temperature: -40°C~+105°C  
 5.Undimensioned Tolerances:

Pitch Range In mm		Nominal Dimension Range In mm						0.1/10
Over 6 TO 6	Over 10 TO 10	Over 10 TO 24	Over 30 TO 30	Over 60 TO 60	Over 100 TO 100	Over 150 TO 150		
±0.15	±0.20	±0.30	±0.30	±0.50	±0.70	±1.00	±1.30	±2'

6.RoHS Compliance

ITEM	NAME OF PART	Q'TY	MATERIAL	NOTES
5	Grounding	1	Phosphor Bronze	Sn plated
4	Current Carrier	1	Copper	Sn plated
3	Spring	2	Stainless steel	
2	Housing	1	PA66	UL94V-0
1	Button	2	POM	UL94V-2

DETACHED LISTS	PART NO.: /	宁波高松电子有限公司 NINGBO DEGSON ELECTRICAL CO., LTD		
	APPD: Alan ab1616	NAME: DS1.5-PE-01P-1C-00A(H)		
	CHKD: Dicky 2016.6.16	TITLE: CUSTOMER DRAWING		
	DRFT: ding 01/28/16	DRAWING NO.: DS1.5-PE-C01		REV: DO-1
	THIRD ANGLE PROJECTION		DO NOT SCALE DRAWING	SHEET: 1/1

H  
G  
F  
E  
D  
C  
B  
A

H  
G  
F  
E  
D  
C  
B  
A