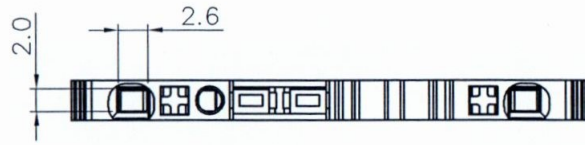
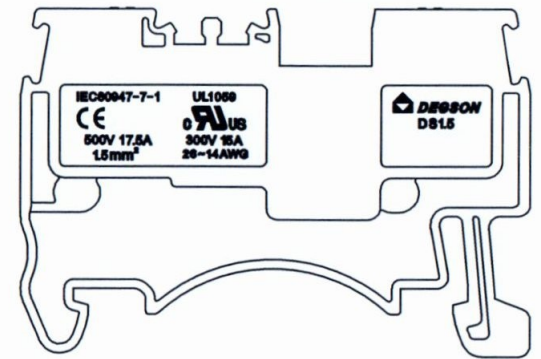
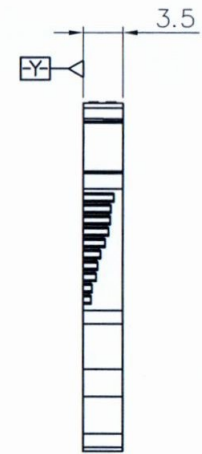
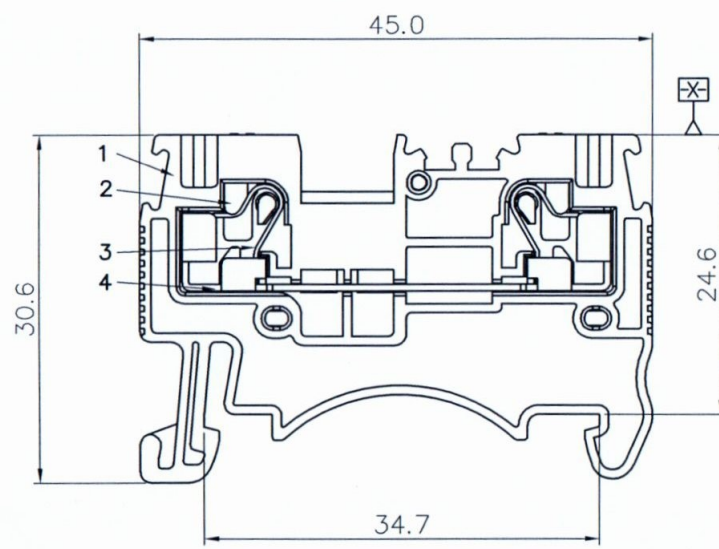


REVISION RECORD				
REV	ECN	DESCRIPTION	DRFT	DATE



仅供参考图
 签字: *蓝勇*
 日期: 2016.06.16



DS1.5-01P-1Y-00AH
 DS1.5 - series
 01P - no value
 1 - no value
 Y = 1 (grey color of housing)
 00AH - no value

NOTES1:

- UL Standard
- 1. Rated Voltage/Current : 300V / 15A
- 2. Withstanding Voltage : AC1600V/1Min.
- 3. Wire Range : 26~14AWG

IEC Standard

1. Pollution Degree	3
Overvoltage Category	III
Rate Impulse Voltage(KV)	6.0KV
Rate Voltage(V)	500V
Rate Current(A)	17.5A

2. Wire Range : 0.2~1.5mm²

NOTES2:

- 1. Dimension shall be interpreted per ASME Y14.5-2009
- 2. Pitch : 3.5mm, Poles : N=01P
- 3. Stripping length : 8-10mm
- 4. Operating temperature: -40°C~+105°C
- 5. Undimensioned Tolerances:

Pitch Range In mm		Nominal Dimension Range In mm							
TO	Over	Over	TO	Over	Over	Over	Over	0.1/10	
6	10	24	30	60	100	150		<	
±0.15	±0.20	±0.30	±0.30	±0.50	±0.70	±1.00	±1.30	±2*	

6. RoHS Compliance

ITEM	NAME OF PART	Q"TY	MATERIAL	NOTES
4	DS1.5-00A CURRENT CARRIER	1	COPPER	Sn plated
3	DS1.5-00A SPRING	2	STAINLESS STEEL	
2	DS1.5-00A BUTTON	2	POM	UL94V-2
1	DS1.5-00A Housing	1	PA66	UL94V-0

DETACHED LISTS	PART NO.: /	宁波高松电子有限公司 NINGBO DEGSON ELECTRICAL CO., LTD		
	APPD: <i>Alan 06/16/16</i>	NAME: DS1.5-01P-1Y-00A(H)		
	CHKD: <i>Dick 2016.6.16</i>	TITLE: CUSTOMER DRAWING		
	DRFT: <i>ding 04/14/16</i>	REV	D0-1	
		DRAWING NO.: DS1.5-C01	SHEET	1/1
THIRD ANGLE PROJECTION		DO NOT SCALE DRAWING	SCALE 1:1	