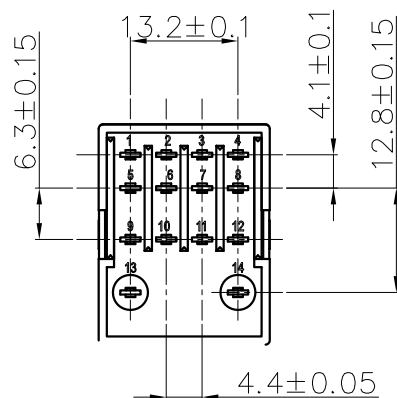
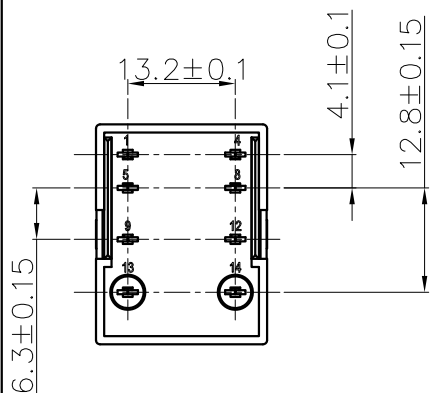
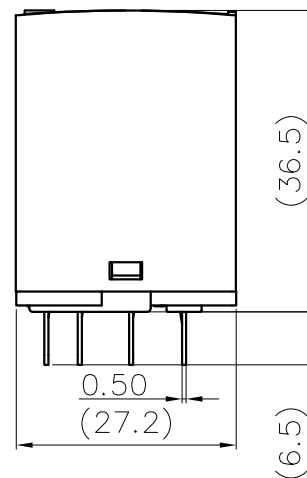
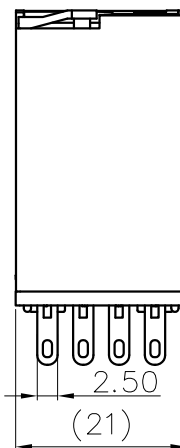
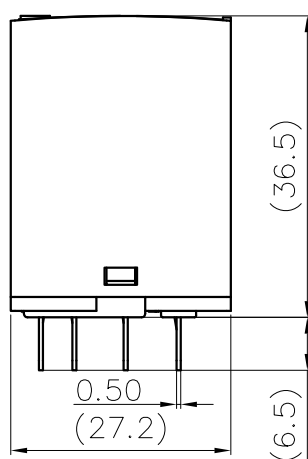
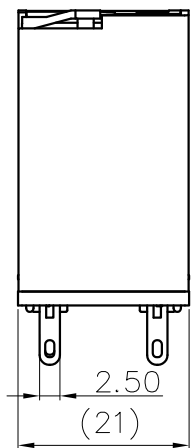
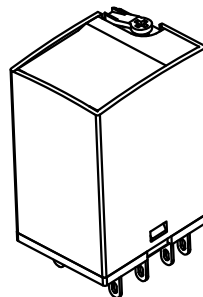
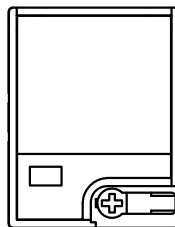
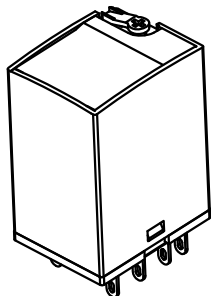
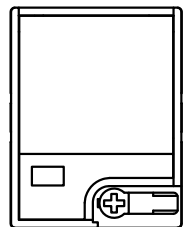


DRPE-2CH

DRPE-4C



尺寸公差(mm)					0.05/10 ±IT
0 ~ 30	>30 ~ 60	>60 ~ 100	>100 ~ 150	>150	
±0.20	±0.30	±0.50	±0.70	±1.00	

Load current	2CH:10A 4C:5A
Load voltage	240VAC/28VDC
Electrical life	≥100,000
Mechanical life	≥10,000,000
Contact resistance	≤50mΩ(24V,1A)
Operate voltage	AC(50Hz)<80% Ue; DC<75%Ue
Release voltage	AC(50Hz)>30% Ue; DC>10%Ue
Key controlled symbol	*
Operating temperature(°C)	-40°C ~ +70°C
Dielectric strengths	Between contacts:1000VAC,1Min (1mA)
	Between contacts of different poles:1500VAC,1Min (1mA)
	Between Coil and contacts:1500VAC,1Min (1mA)
Coil operating power	DC: 0.93W/AC: 1.2VA
Max. allowable coil voltage	110%(Ue)
Conform to RoHS	
Mark the height of the company LOGO	
Mark the height of the "CE"	
Printing for laser marking,printing content is clear ,no broken line,ect	
Seal literal reference according to the foot position in the drawing	
The words in the dotted box correspond to the list below	

Transfer or duplication of this document as well as the utilization or communication of its contents are prohibited unless explicit authorization is granted. Violations will be liable for compensation. All rights reserved for patent, utility, model or designs registrations. 除非给予明确授权，否则禁止转让、复制、利用、交流本文件的内容。侵犯者将承担法律责任。本公司保留就涉及发明、实用新型和外观设计的所有权利。

REV	ECN	DESCRIPTION	DRFT	DATE	SIZE: A4	TYPE: PRODUCT DRAWING	SCALE: 1:1	REV	TO
					mm (inch)				1/1

MATERIAL: /	SURFACE: /	
MAT.NO.: /	宁波高松电子有限公司 NINGBO DEGSON ELECTRICAL CO., LTD	
STATUS: /		
APPD:	Description: DRPE-XX-XX-XX-07A(H)	
CHKD:	DRAWING NO.:	REV TO
DRFT: /	SCALE: 1:1	SHEET 1/1