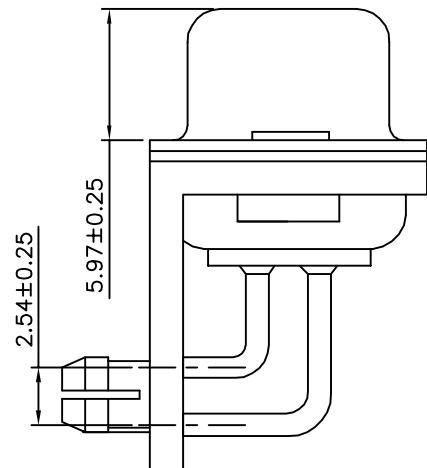
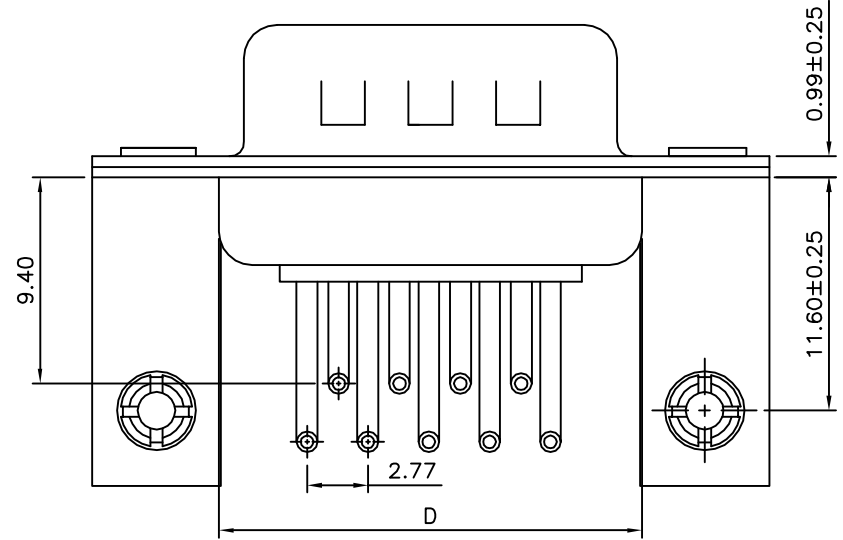


Recommended P.C.B. Layout

**SPECIFICATION**

Withstand Voltage:1000V AC Per Minute  
 Contact Resistance:10 Milliohms Max.  
 Insulation Resistance:5000 Megohms Min.  
 Operation Temperature:-55°C~+125°C  
 Insulator:Thermoplastic+30%G.F.(UL94V-0)  
 Contact:Brass,Gold Flash Over Nickel  
 Metal Shell:Steel,Tin Plated  
 Metal Bracket:Steel,Nickel Plated  
 Boardlock:Brass,Nickel Plated  
 RoHS Compliant



DR 94 - XX P B - H  
 (1) (2) (3) (4) (5) (6)

- (1) DR:D-SUB Machined  
Pin DIP Right Angle
- (2) 94:Footprint=9.4mm
- (3) XX:No. Of Position
- (4) P:Male
- (5) B:With Bracket
- (6) H:RoHS Compliant

Pin	A±0.25	B±0.13	C±0.38	D±0.25	E±0.25
09	16.92	24.99	30.81	19.28	11.08
15	25.25	33.32	39.14	27.51	19.39
25	38.96	47.04	53.04	41.28	33.24
37	55.42	63.50	69.32	57.71	49.86

**AUK** A MEMBER OF AUK GROUP  
**太聯事業股份有限公司**  
**AUK CONTRACTORS CO., LTD.**

CATEGORY		APPROVED BY		UNLESS OTHERWISE SPECIFIED TOLERANCES ARE .X ±0.3 .XX ±0.3 .XXX ±0.3 ANG. ±2°
PART No. DR94-XXPB-H		MEI		
DRAWING No. DR94-XXPB-H		HZF		
		GAO		
SCALE	NONE	REV.	A0	UNIT mm

NO.	REV.	REVISIONS	CHK	DATE
△ A0		NEW RELEASE	HZF	12/07/2012