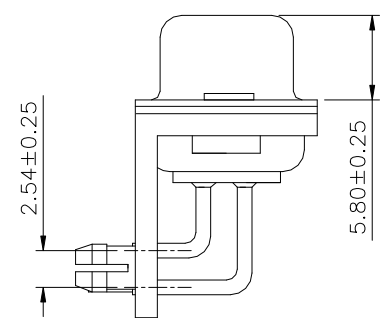
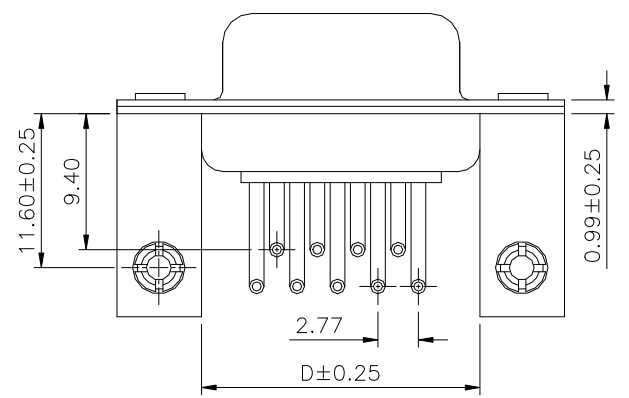
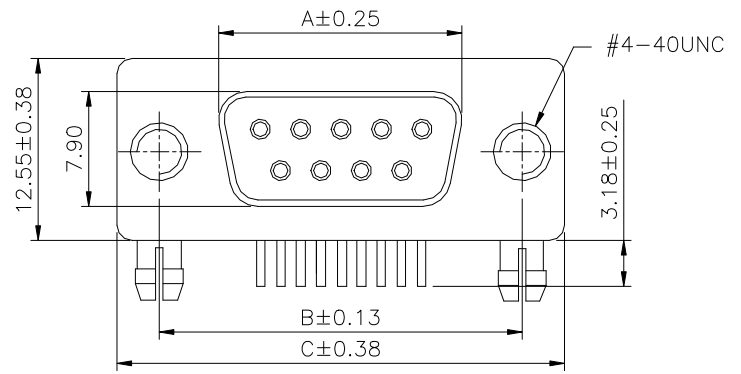


Recommended P.C.B. Layout



SPECIFICATION

Dielectric Withstanding Voltage:1000V AC Per Minute
 Contact Resistance:10 Milliohms Max.
 Insulation Resistance:5000 Megaohms Min.
 Operation Temperature:-55°C~+125°C
 Insulator:PBT+30%G.F.(UL94V-0)
 Contact:Brass,Gold Flash Over Nickel
 Metal Shell:Steel,Tin Plated
 Metal Bracket:Steel,Nickel Plated
 Boardlock:Brass,Nickel Plated
 RoHS Compliant

DR 94 - XX S B - H
 (1) (2) (3) (4) (5) (6)

- (1) DR:D-SUB Machined Pin DIP Right Angle
- (2) 94:Footprint=9.4mm
- (3) XX:No. Of Position
- (4) S:Female
- (5) B:With Bracket
- (6) H:RoHS Compliant

Pin	A	B	C	D	E
09	16.33	24.99	30.81	19.28	11.08
15	24.66	33.32	39.14	27.51	19.39
25	38.38	47.04	53.04	41.28	33.24
37	54.84	63.50	69.32	57.71	49.86



CATEGORY		APPROVED BY	
		MEI	
PART No.		CHECKED BY	
DR94-XXSB-H		HZF	
DRAWING No.		DRAWING BY	
DR94-XXSB-H		CYP	
SCALE	NONE	REV.	A0

UNLESS OTHERWISE SPECIFIED TOLERANCES ARE
 .X ±0.3
 .XX ±0.3
 ANG. ±2°

UNIT	mm	NEW RELEASE		HZF	09/02/2015
NO.REV.		REVISIONS		CHK	DATE