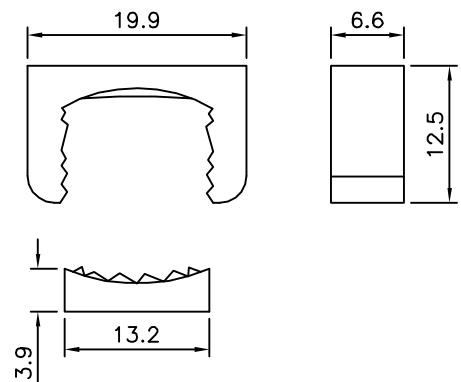


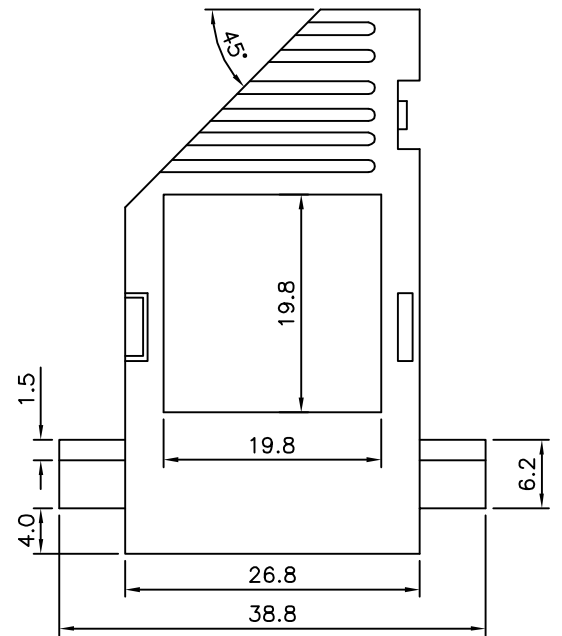
△



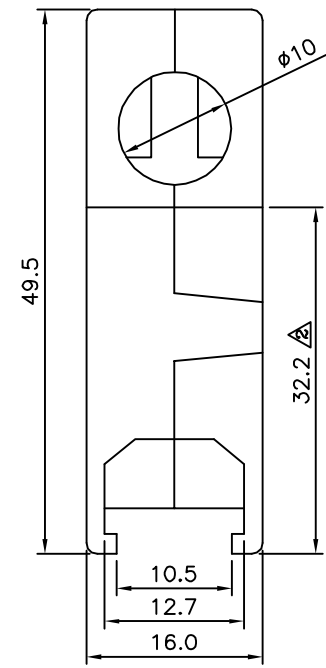
△ SR

△ SPECIFICATION
 Insulator:ABS(UL94-HB)
 Screw&SR:Steel,Nickel Plated
 Packing:One Set/Bag
 RoHS Compliant

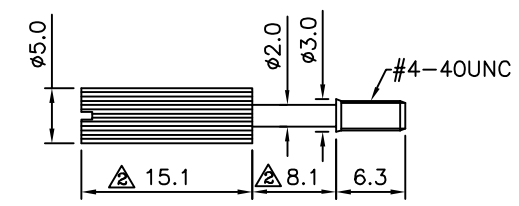
- △△ DQR 15 X T - 1 - H**
 (1) (2) (3) (4) (5) (6)
 (1) DQR:D-SUB Quick-On Hood
 Cable Outlet 45°
 (2) 15:No. Of Position
 (3) X:D-SUB Hood Insulator Color
 K:Black
 G:Gray
 B:Beige
 C:Chromate Plated
 (4) T:With Thumbscrew
 (5) 1:One Set/Bag
 (6) H:RoHS Compliant



△



△



△ Screw

AUK A MEMBER OF AUK GROUP
太聯事業股份有限公司
AUK CONTRACTORS CO., LTD.

CATEGORY		APPROVED BY		UNLESS OTHERWISE SPECIFIED TOLERANCES ARE △ X. ±0.5 .X ±0.3 .XX ±0.2 ANG. ±5°					
PART No.		CHECKED BY			EMILY				
DRAWING No.		DRAWING BY			HZF	△ A2	Modify Data	HZF	10/20/2014
SCALE		NONE	REV.		HAO	△ A1	Modify Data	HZF	07/09/2012
			A2	UNIT	△ A0	NEW RELEASE	HZF	06/10/2008	
				mm	NO.REV.	REVISIONS	CHK	DATE	