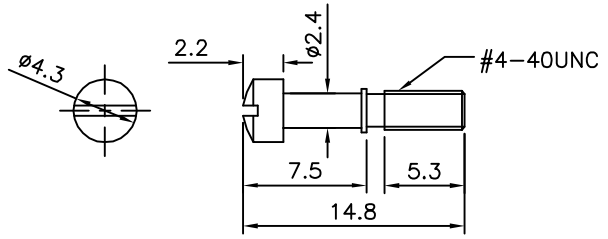


△



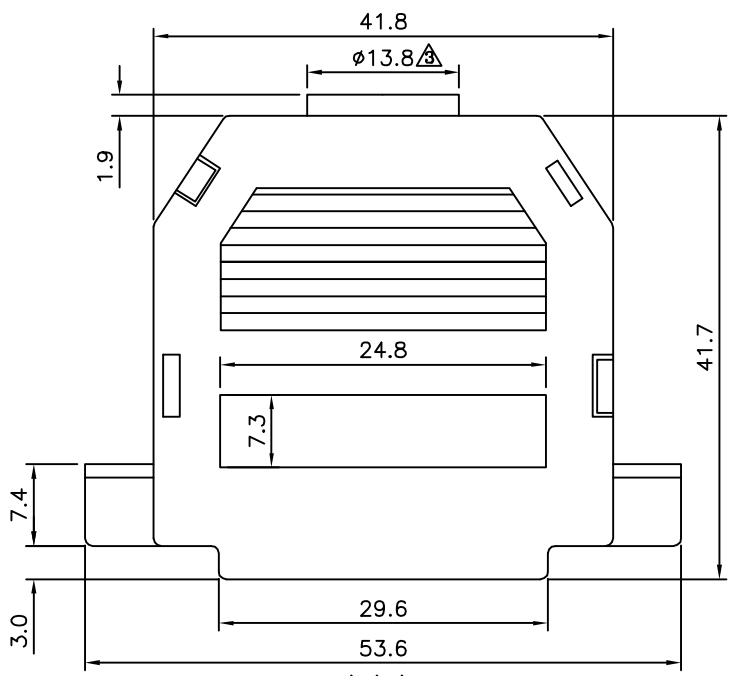
△△ Screw

△△△ SPECIFICATION

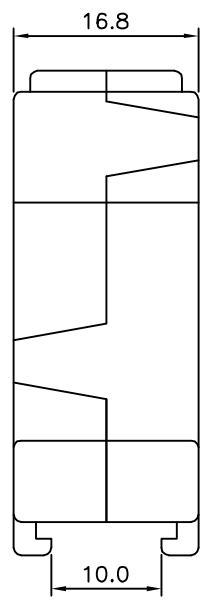
Insulator:ABS(UL94-HB)
Screw:Steel,Nickel Plated
SR:ABS
Packing:1 Set/Bag
RoHS Compliant

△△△ DQ 25 X - 1 - H
(1) (2) (3) (4) (5)

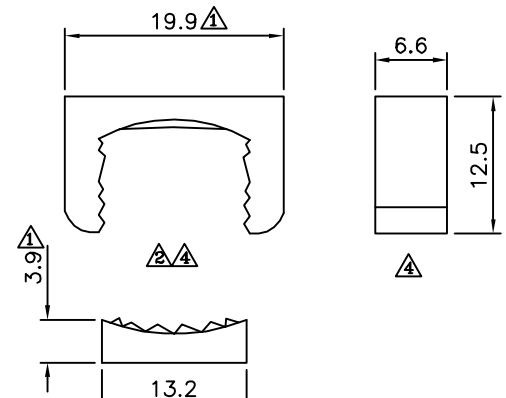
- (1) DQ:D-SUB Quick-On Plastic Hood
- (2) 25:No. Of Position
- (3) X:D-SUB Hood Insulator Color
G:Gray
K:Black
B:Beige
C:Chromate Plated
- (4) 1:One Bag
- (5) H:RoHS Compliant



△△△



△△△



SR

AUK A MEMBER OF AUK GROUP
太聯事業股份有限公司
AUK CONTRACTORS CO., LTD.

CATEGORY		APPROVED BY		UNLESS OTHERWISE SPECIFIED TOLERANCES ARE X. ±0.5 .X ±0.3 .XX ±0.2 ANG. ±5°	△ A4	Modify Data	HZF	07/02/2013
PART No. △ DQ25X-1-H		CHECKED BY HZF			△ A3	Modify P/N:DQ25B-1-H --> DQ25X-1-H.Add DQ25C(G)(K)-1	HZF	02/18/2011
DRAWING No. DQ25X-1-H		DRAWING BY GAO			△ A2	Modify Data	HZF	11/23/2010
SCALE NONE		REV. A4			△ A1	CHANGE DIM.	MEI	07/09/2002
				UNIT mm	△ A0	NEW RELEASE	MEI	07/09/2001
					NO.REV.	REVISIONS	CHK	DATE