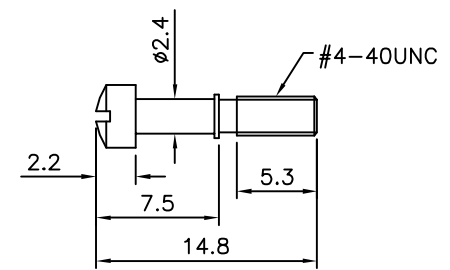
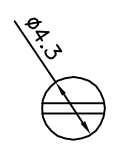


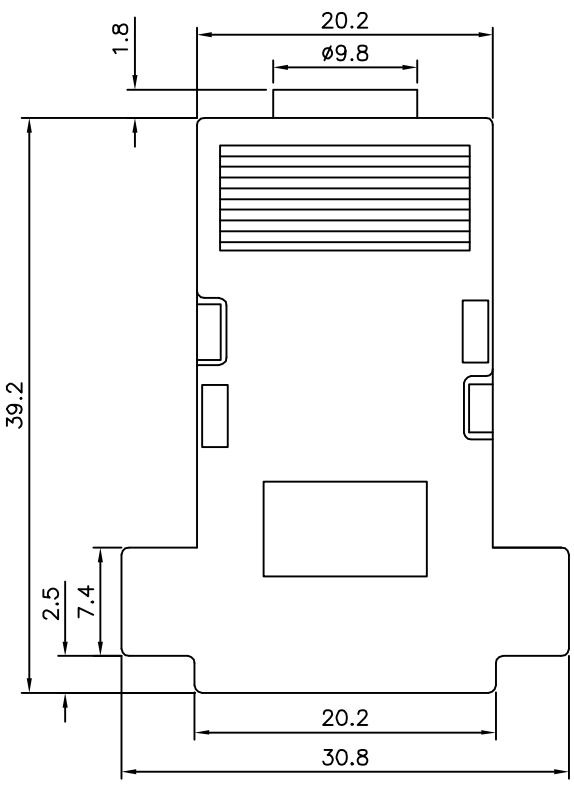
△



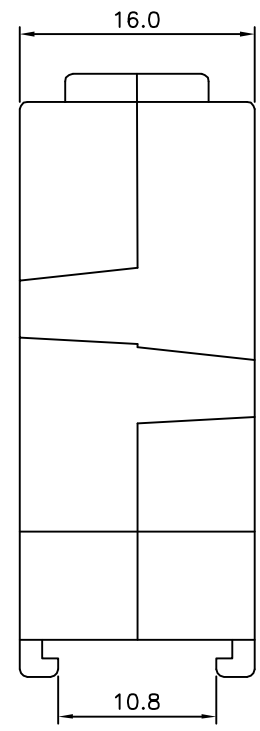
△

△ SPECIFICATION
 Insulator:ABS(UL94-HB)
 Screw:Steel,Nickel Plated
 SR:ABS
 Packing:1 Bag/Set
 RoHS Compliant

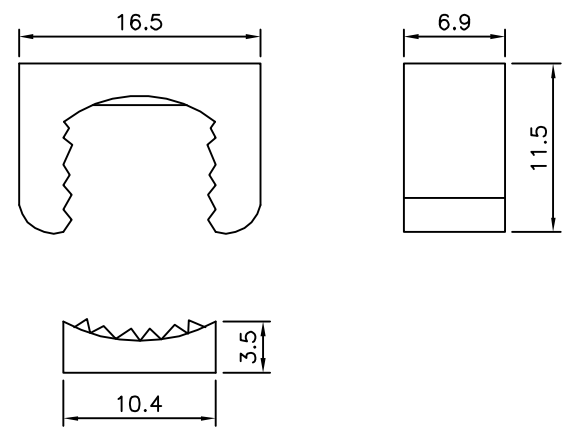
△ DQ 09 X - 1 - H
 (1) (2) (3) (4) (5)
 (1) DQ:D-SUB Quick-On Plastic Hood
 (2) 09:No. Of Position
 (3) X:D-SUB Hood Insulator Color
 G:Gray
 K:Black
 B:Beige
 C:Chomate Plated
 (4) 1:One Bag/Set
 (5) H:RoHS Compliant



△



△



△ SR

AUK A MEMBER OF AUK GROUP
太聯事業股份有限公司
AUK CONTRACTORS CO., LTD.

CATEGORY		APPROVED BY		UNLESS OTHERWISE SPECIFIED TOLERANCES ARE △ X. ±0.5 .X ±0.3 .XX ±0.2 ANG. ±5°
PART No. △ DQ09X-1-H		MEI		
DRAWING No. DQ09X-1-H		CHECKED BY HZF		
SCALE NONE		DRAWING BY SONG		
REV.	A1	UNIT mm		

NO.	REV.	REVISIONS	CHK	DATE
△ A1		Modify P/N:DQ09G-1 -> DQ09X-1-H	HZF	06/03/2013
△ A0		NEW RELEASE	SHIN	05/16/2007