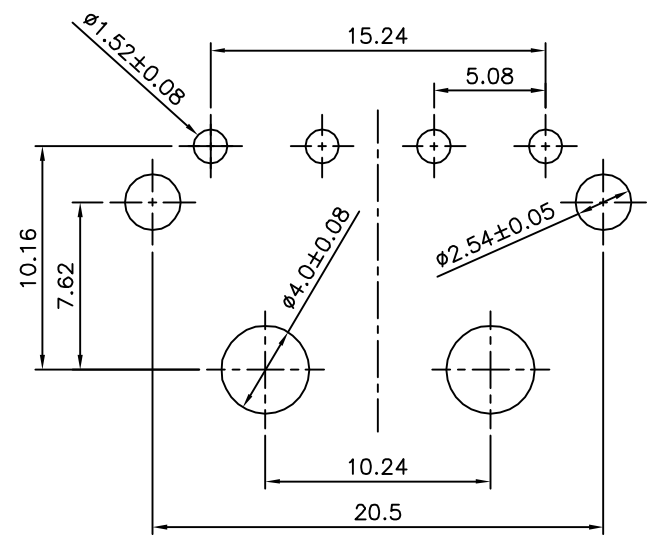
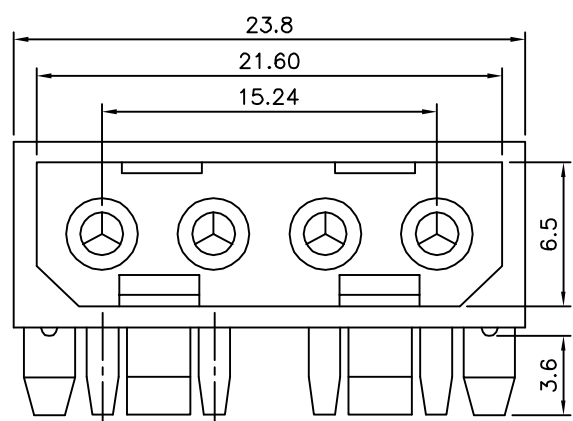


△

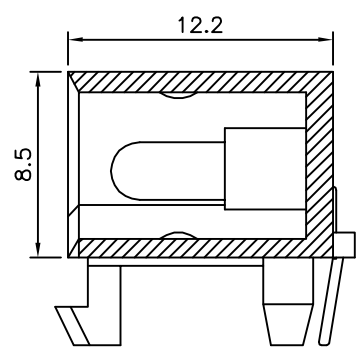


Recommended P.C.B. Layout

**SPECIFICATION**  
 Current Rating:5A AC/DC  
 Voltage Rating:250V AC/DC  
 Withstand Voltage:1500V AC For 1 Minute  
 Insulation Resistance:1000 Megaohms Min.  
 Temperature Range:-25°C~+105°C  
 Applicable PC Board Thickness:1.6mm  
 Insulator:PA66(UL94V-2)  
 Contact:Brass,Tin Plated  
 RoHS Compliant



△



△

**AUK** A MEMBER OF AUK GROUP  
**太聯事業股份有限公司**  
**AUK CONTRACTORS CO., LTD.**

CATEGORY		APPROVED BY		UNLESS OTHERWISE SPECIFIED TOLERANCES ARE .X ±0.38 .XX ±0.25 ANG.
PART No. DP04PRP-H		EMILY		
DRAWING No. DP04PRP-H		CHECKED BY HZF		
SCALE NONE		DRAWING BY SONG		
REV.	A1	UNIT mm		

NO.	REV.	REVISIONS	CHK	DATE
△ A1		Modify Data	HZF	11/24/2011
△ A0		NEW RELEASE	HZF	10/15/2007