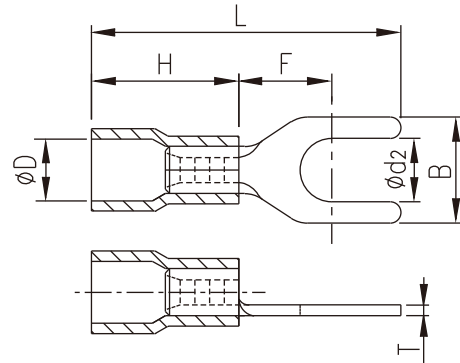


Fork terminal with insulation



Tools > Ferrule > Fork terminal with insulation



Specification

Part No.	Wire Range		Dimension							Color	Package		
	AWG	mm ²	Ød2	B	F	L	H	ØD	T		pcs/bag	bags/box	
DNH2-137	22~16	0.5~1.5	3.7	5.4	6.5	20.7	9.5	4	0.75	Red	1000	1	
DNH2-137B			3.7	6.4	6.5	20.7							
DNH2-143			4.3	6.4	6.5	20.7							
DNH2-143B			4.3	7.2	6.5	20.7					500	200	2
DNH2-153			5.3	8.1	6.5	20.7							
DNH2-164			6.4	11	10	25							
DNH2-237	16~14	1.5~2.5	3.7	5.7	6.5	21.2	10	4.5	0.8	Blue	500	1	
DNH2-237B			3.7	6.4	6.5	21.2							
DNH2-243			4.3	6.4	6.5	21.2							
DNH2-243B			4.3	7.2	6.5	21.2							
DNH2-253			5.3	8.1	6.5	21.2							
DNH2-264	12~10	4~6	6.4	11	10	25.5	13	6.8	1	Yellow	200	2	
DNH2-537			3.7	8.2	7.2	24.7							
DNH2-543			4.3	8.2	7.2	24.7							
DNH2-553			5.3	9	7.2	24.7							
DNH2-564			6.4	12	11	31					200	1	