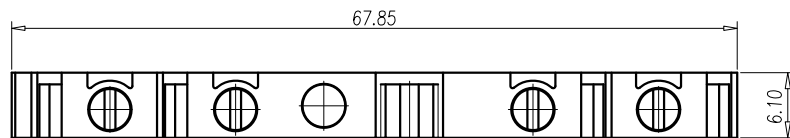


Total Pitch Tolerances		Normal Dimension Tolerances	
0~30	±0.20	0~30	±0.25
over 30~53	±0.25	over 30~53	±0.30
over 53~70	±0.30	over 53~70	±0.35
over 70~90	±0.35	over 70~90	±0.44
over 90~115	±0.44	over 90~115	±0.55
over 115~150	±0.55	over 115~150	±0.70
over 150~200	±0.70	over 150~200	±0.85
over 200~250	±0.85	over 200~250	±1.00
over 250~320	±1.00	over 250~320	±1.20



NOTES 1:

UL Standard :

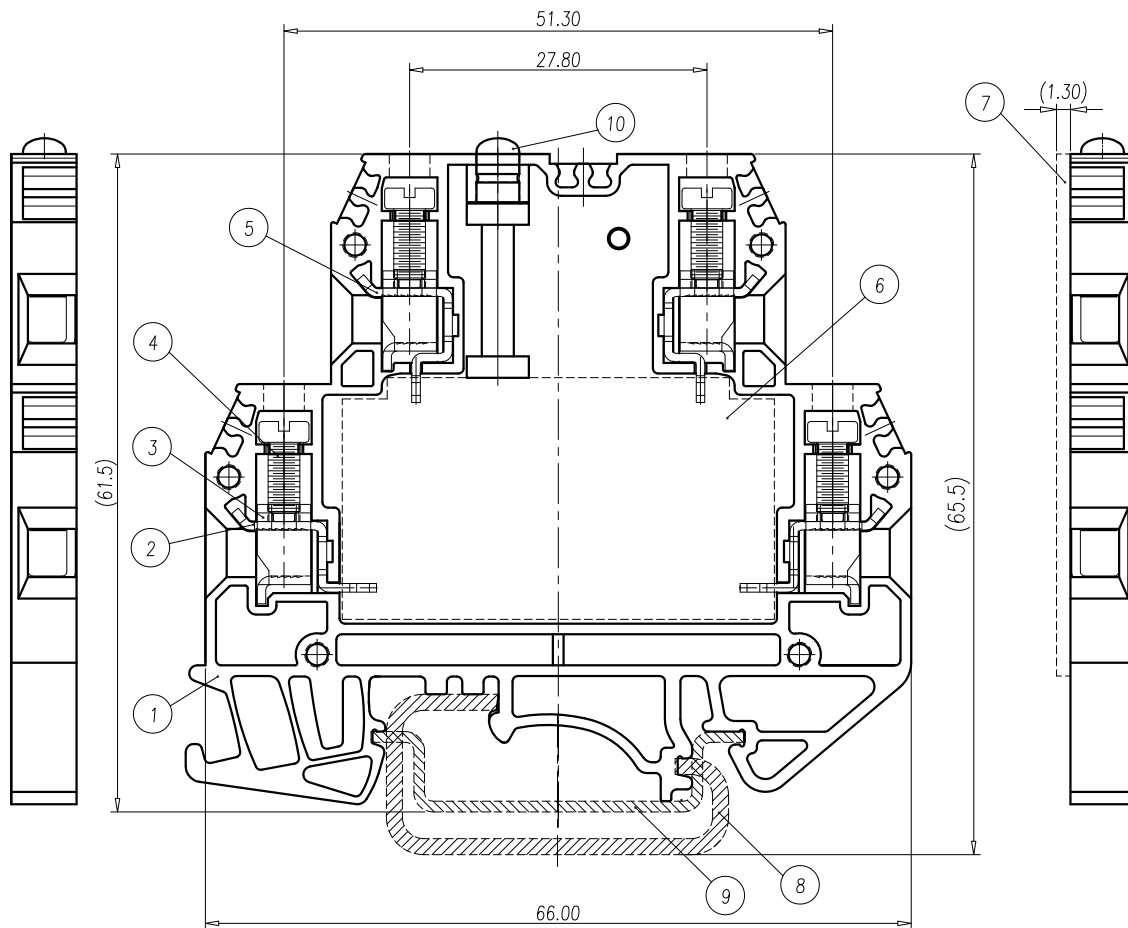
- 1.Rating: 300V 20A
- 2.Insulation Withstands Voltage: AC 2000 V at 1 minute
- 3.Using Temperature Range: -40°C~+115°C
4. Screw Torque Value:0.4N·m
- 5.Suitable Electric Wire:AWG 24~12

IEC Standard:

- 1.Insulation Resistance: 500MΩ or more at DC500V
2. Material Group : I
3. Pollution Degree : 3
4. Overvoltage Category: III
5. Using Temperature Range: -40°C~+120°C
6. Screw Torque Value:0.4N·m
- 7.Suitable Electric Wire:0.2~2.5mm²

NOTES 2:

1. RoHS compliance



10	LIGHT GUIDANCE	PC	TRANSPARENT
9	MOUNTING RAIL	STEEL	
8	MOUNTING RAIL	STEEL	
7	END COVER2	PA66	SIMULATION PART
6	PCB		
5	SOLDER PIN2	COPPER ALLOY	Tin PLATED
4	SCREW	STEEL	M3/ Zn PLATED
3	WIRE CAGE	STEEL	M3/ Zn PLATED
2	SOLDER PIN1	COPPER ALLOY	Tin PLATED
1	HOUSING	PA66	UL94-V0 GREY
ITEM	NAME OF PART	MATERIAL	NOTES

DWG.	LJD	DATE	18.05.28	UNITS	MM	SHEET/OF	1 / 1
CHK.		DATE		SCALE	2:1 (:)		
APP.		DATE					
				NAME	DMER-41		
				DWG NO.	SP-03-DMER4100		

REV.	CONTENT	NAME	DATE
3			



NAME	DMER-41
DWG NO.	SP-03-DMER4100