

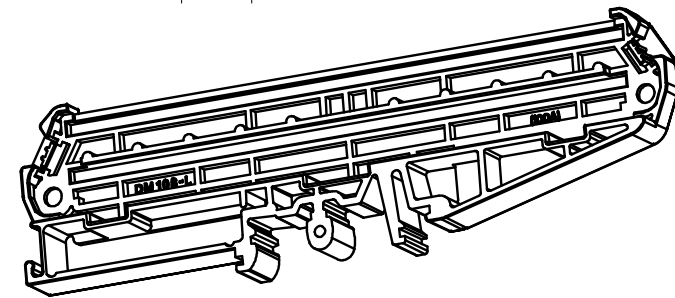
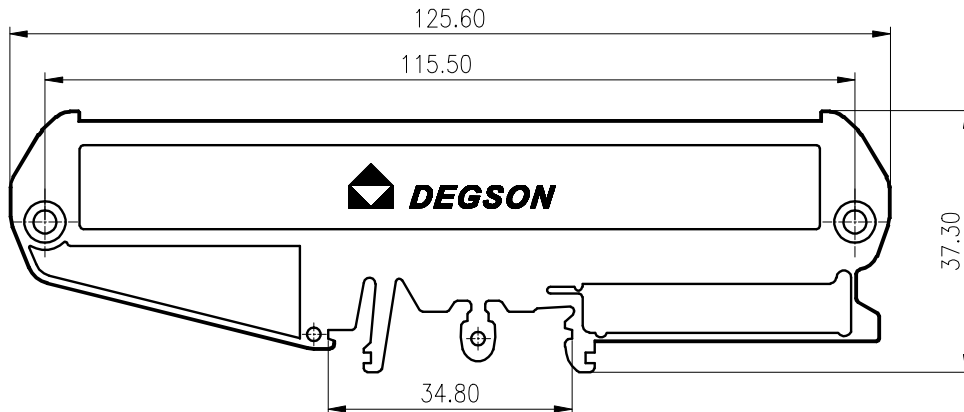
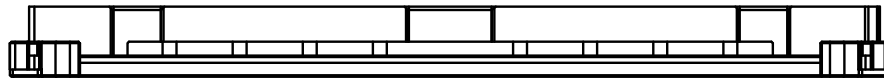
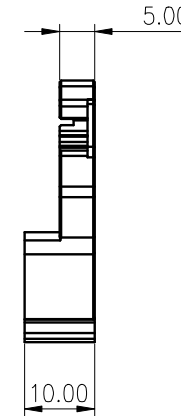
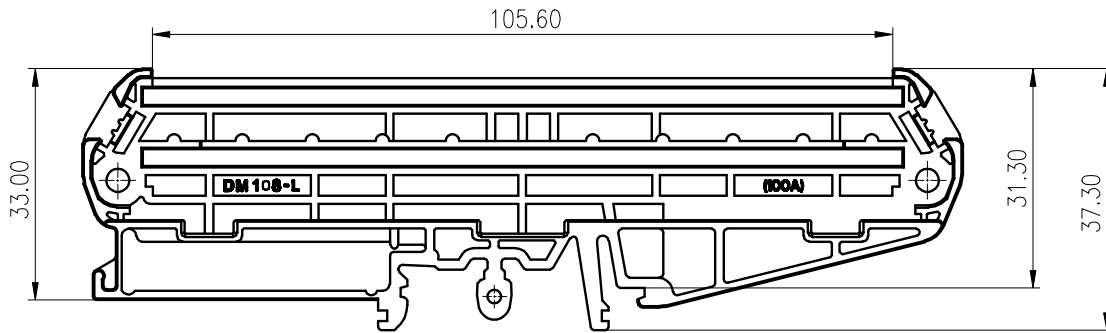
Pitch Range In mm			Nominal Dimension Range In mm					
To	Over	Over	To	Over	Over	Over	Over	0.1/10
6	6 TO 10	10 TO 24	30	30 TO 60	60 TO 100	100 TO 150	150	<
±0.15	±0.25	±0.30	±0.30	±0.50	±0.70	±1.00	±1.30	±2'

A

B

C

D



1	Cover-L	PA66	UL94 V-0
ITEM	NAME OF PART	MATERIAL	NOTES
使用温度范围/Operating temperature(°C)			-40~+105
符合RoHS环保要求/Conform to RoHS			Yes

MATERIAL: /	SURFACE: /				
MAT NO.: /	<b>宁波高松电子有限公司</b> <b>NINGBO DEGSON ELECTRICAL CO., LTD</b>				
STATUS: /					
APPD:				NAME:	DM108-01P-1Y-111A(H) COVER-L
CHKD:				DRAWING NO.:	DM108-C10
DRFT: HS 2016.12.29	REV	TO			
④	SIZE: A4	TYPE: CUSTOMER DRAWING	SCALE: 1:1 SHEET 1/1		

REV	ECN	DESCRIPTION	DRFT	DATE