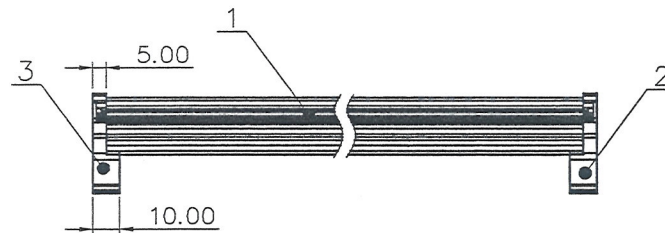
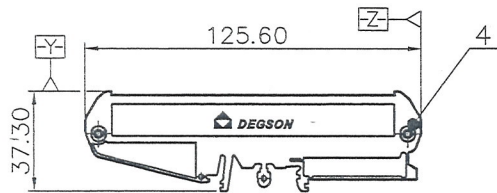
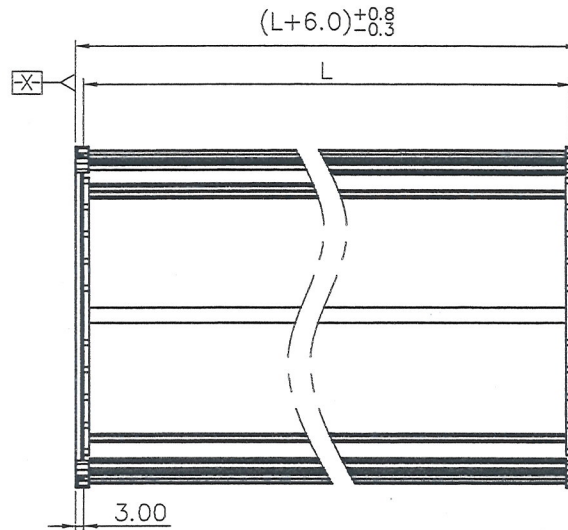


REVISION RECORD				
REV	ECN	DESCRIPTION	DRFT	DATE

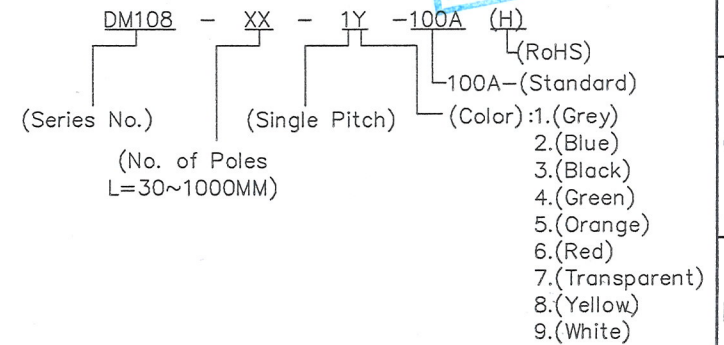


NOTES2:

- 1.Dimension shall be interpreted per ASME Y14.5-2009
- 2.Operating temperature: -20°C~+50°C
- 3.Locking value: 5.1kgf.cm(0.5N·m/4.43Lb.in)
- 4.PCB: Legth: dimensions L+4.0mm
Width: 108±0.2mm
Thick: 1.60±0.1mm
- 5.Undimensioned tolerances:

Pitch range in mm		Nominal dimension range in mm				0.1/10
TO	TO	TO	TO	TO	TO	
6	10	30	60	100	150	±2'
±0.15	±0.20	±0.30	±0.50	±0.70	±1.00	

6.RoHS Compliance



PART NO.: 1		宁波高松电子有限公司 NINGBO DEGSON ELECTRICAL CO., LTD		
APPD: <i>Amn 2016.6.7</i>	NAME: DM108-XXXX-1Y-100A(H)			
CHKD: <i>Robin 2016.6.7</i>	DRFT: CZM 2016.08.23		TITLE: CUSTOMER DRAWING	REV TO
DRAWING NO.: DM108-100A-C01		SHEET	1/1	
THIRD ANGLE PROJECTION		DO NOT SCALE DRAWING	SCALE	1:1

NO.	DESCRIPTION	MATERIAL	FINISH
4	Screw	Steel	M3/Zn Plated
3	Cover-R	PA66	UL94V-0
2	Cover-L	PA66	UL94V-0
1	Housing	PVC	UL94V-0