

The logo for DONE, featuring the word "DONE" in a bold, teal, sans-serif font. The letter "D" is stylized with a white circular element on its left side. The logo is contained within a white rounded square with a thin teal border.

MXL SERIES LED DRIVERS

DL-80Z-MXL SPECV E1.0

Features

- Class I structure
- Input voltage:100-305V ~ 50/60Hz
 Rated input voltage : 100-277V ~ 50/60Hz
 Available voltage : 100-305V ~ 50/60Hz 80W max.. Output PowerOutput power
- Efficiency :90%(Typ.)
- Constant power drive and constant current output control mode
- Metal shell structure, protection grade: IP67
- Lightning protection level: differential mode 6kV, common mode 15kV
- Function selection:
 Output current is adjusted by external potentiometer (A version only)
 Isolation dimming function: 3-in-1 dimming(P version only)
- Lifetime design: 5 years 50000H Tc : 95°C

Applications

Road lighting、Industrial lighting、Venue lighting
 Floodlight lighting、Landscape lighting、Plant lighting



Model list

Model NO.	Input voltage	Output power	Output voltage	The default current	Eff.	T.H.D	PF
DL-80Z-56A/P-MXL	100-277V 50/60Hz	80W	25-56Vdc	2A	≥90%	≤10%	≥0.97

- Note:**
1. Test conditions of the above parameters: Ta=25°C, 230Vac input, full load operation for 30 minutes;
 2. The input is less than 85±15Vac, and the output power is turn-off; When the input is 100-277Vac, the rated power is 80w, and special attention should be paid to the application; For details, see input voltage VS output power diagram.

Input characteristics

Parameter	Min	Typ.	Max	Note
Rated input voltage	100Vac	230Vac	277Vac	
Input voltage range	90Vac	230	305Vac	
Rated frequency	47Hz	50/60Hz	63Hz	
Power factor	0.95	0.97	-	@230Vac full load, rated input voltage
T.H.D.	-	-	7%	100% load, 230Vacinput
Input current	-	-	0.4A	100% load, 230Vacinput
Inrush current	-	-	70A	230Vac, cold start (25°C)

Output characteristic

Parameter	Min	Typ.	Max	Note
Rated current DL-80Z-56A/P-MXL	-	1.4285A	-	
Output current range DL-80Z-56A/P-MXL	1.07A	-	2.23A	-
Output voltage range DL-80Z-56A/P-MXL	25V	-	56V	-
Rated power(100-277Vac)	-	80W	-	Input voltage less than 85±15Vac and the output power is turn-off,
Output voltage(36-56Vdc)	-	80W	-	-
No-load voltage DL-80Z-56A/P-MXL	-	-	60V	
Efficiency@200Vac DL-80Z-56A/P-MXL	89%	90%	-	full load@200Vac

Output characteristic

Parameter	Min	Typ.	Max	Note
Efficiency@230Vac DL-80Z-56A/P-MXL	89%	90%	-	full load@230Vac
Output Current Ripple	-	-	5%	100% load,20 MHz BW; Ripple =rms/ average
Accuracy of output current	-5%	-	+5%	full load Constant power range
Line regulation	-3%	-	+3%	full load Constant power range
Load regulation	-3%	-	+3%	full load Constant power range
Starting time	-		1000ms	Full load@100-277Vac

Note:

1.The output current range is limited by the input and output voltage, please refer to “I-V WORKING AREA” for details.



Dimming characteristic

Parameter		Min	Typ.	Max	Note
0-10V Dimming (Optional)	Safe applied voltage range	0V	-	10V	When the external voltage is $\geq 12V$, the dimming will fail
	Dimming output range	10%	-	100%	-
	Rated dimming voltage range	0V	-	10V	It can be set to negative dimming mode through program setting
PWM Dimming (Optional)	PWM high level	9.5V	-	10.5V	-
	PWM low level	0	-	0.3V	-
	PWM frequency band	300Hz	-	2000Hz	-
	PWM duty cycle	10%	-	99%	Output full power at 99% duty cycle
Resistor Dimming (Optional)	External resistance value	10K Ω	-	100K Ω	-
	Dimming output range	10%	-	100%	-
Multiple time-controlled dimming (optional)	MCU control	Set segment dimming function through program			Working mode
	Timer control	It is divided into six segments by default and can be customized			24H to achieve a cycle

Note:

1. Output current of dimming port: 100uA (typical value);
2. The P version is 0-10V dimming (0V can be turned off). The maximum voltage of the dimming port is 12V. If the external power supply voltage exceeds 12V or the signal cable is inverted, the power supply will be damaged;
3. Dimming default setting is three in one positive logic dimming (programmable software can be set to timing dimming, 0-5V or other voltage dimming);
4. When set to positive logic dimming function, the 0V dimming is turned off, and the output voltage is 15 Vomax after the dimming is turned off. Be careful when using this function, but customers are advised to use 1-10V dimming.
5. When setting negative logic dimming, The default output when the light is suspended is 100%. Negative logic dimming cannot be turned off, When the voltage of the light dimmer port is greater than 10.5V, Maximum power output;

Protection

Function	Function instructions
Input under-voltage protection	When the input voltage is less than 85Vac \pm 10%, the output power gradually decreases. See derating curve for details
Output overload protection	Protection mode: hiccup mode, recovers automatically after fault condition is removed.
Output short circuit protection	Hiccup mode: recovers automatically after fault condition is removed
Over temperature protection	Self-recovery type: when the housing temperature is greater than 95°C, the output power decreases gradually.
Output over-voltage protection	Protection mode: Hiccup mode or clamped in output highest voltage, the product is not damaged, LED driver works normally after fault condition is removed.

Note:

1. Unless otherwise specified, all specifications and parameters shall be measured at the conditions of 230Vac (50Hz), rated load and 25°C of ambient temperature;
2. Including setting error, line regulation and load regulation.

Environmental

Environmental categories	Parameter
Working temperature	-40 ~ +55°C@100-277Vac
Max.Case Temp.	-40 ~ 95°C
Working humidity	20 ~ 90% RH, non condensing
Storage temperature、 humidity	-40~+90°C, 10 ~ 90% RH
Resistant to vibration	10 ~ 500Hz, 5G 12 min/cycle, X, Y, Z axis 72 min each
MTBF	230Khrs min. MIL-HDBK-217F (Ta=25°C)
Lifetime	50000 hours @Tcase≤75°C,230Vac, 80% Load, Please refer to "Tcase VS Lifetime" section

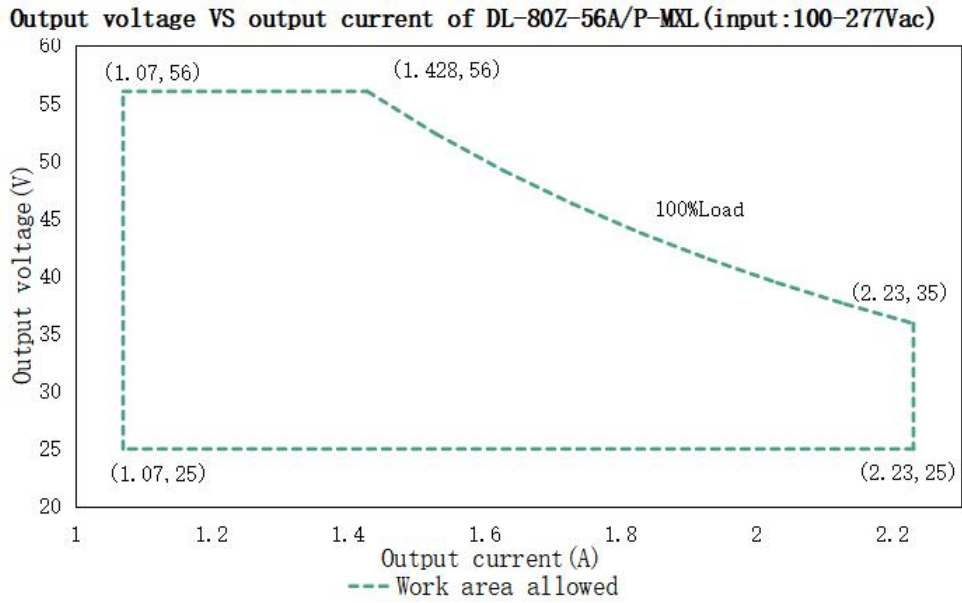
Safety and EMC

Safety categories	Standard
Safety	GB19510.1、GB19510.14、EN61347-1、EN61347-2-13、IEC61347-1、IEC61347-2-13、AS/NZS61347.1、AS61347.2.13、EN 62384、UL8750;
EMC	EN 55015、EN 61000-3-2 、GB/T 17743、GB17625.1、 EN 61000-3-3
Surge protection	Differential mode L-N ±6KV (2 ohm) ,common mode L, N-PE± 15 KV (12 ohm); Refer to IEC61000-4-5 2014 Criterion B
High-pot test	I/P-O/P:3.75KVac I/P-PE :1.5KVac O/P-PE : 0.5KVac I/P-DIM:1.5KVac O/P-DIM:1.5KVac
Insulation impedance	I/P-PE:100MΩ / 500VDC; I/P-O/P:100MΩ / 500VDC / 25°C/ 70% RH
Leakage current	<0.7mA@230Vac

Note:

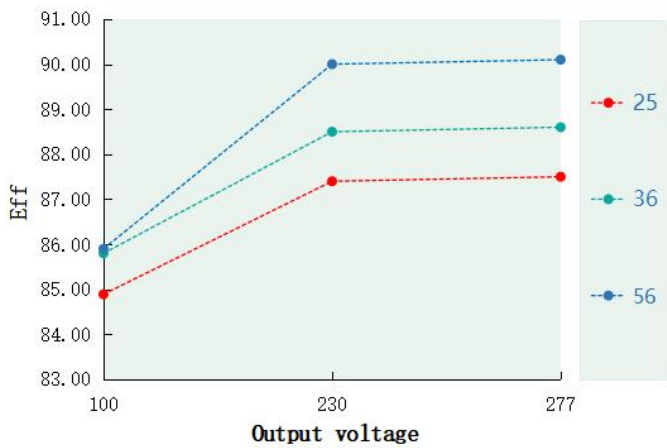
The driver is considered as a component that will be operated in combination with the final equipment. Since EMC performance will be affected by the complete installation,the final equipment manufacturers must re-qualify EMC Directive on the complete installation again.

I-V Working area

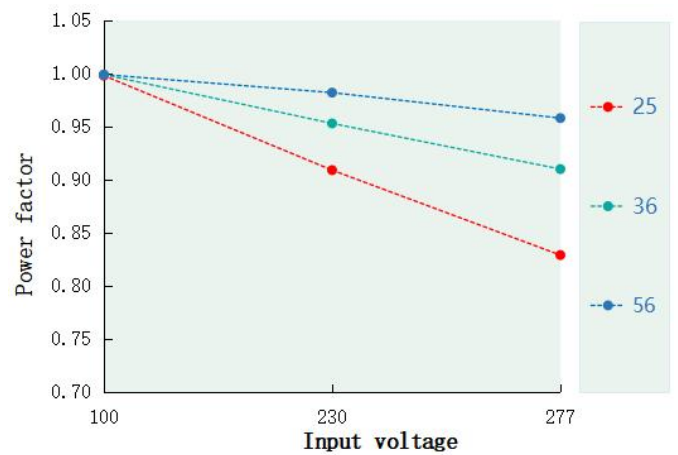


Load	Output								
Load working Voltage	25V	29V	33V	36V	42V	46V	48V	52V	56V
Io_MAX	1.496a	1.91a	1.490a	2.223A	1.904A	1.73A	1.666A	1.538A	1.428A
Po_MAX	37.3w	43.2w	49.1w	80w	80w	80w	80w	80w	80w

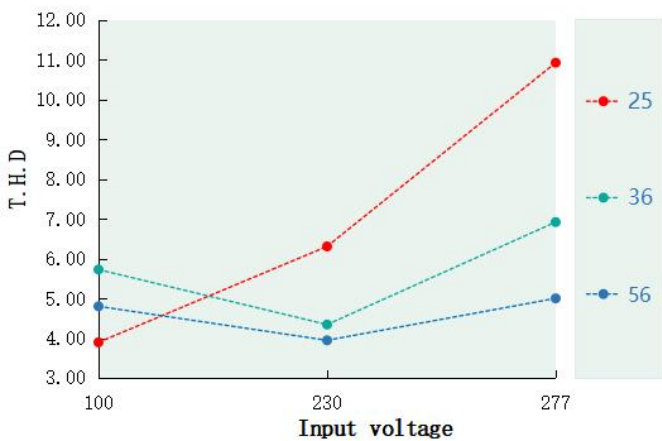
Eff. VS Output voltage(DL-80Z-56A/P-MXL)



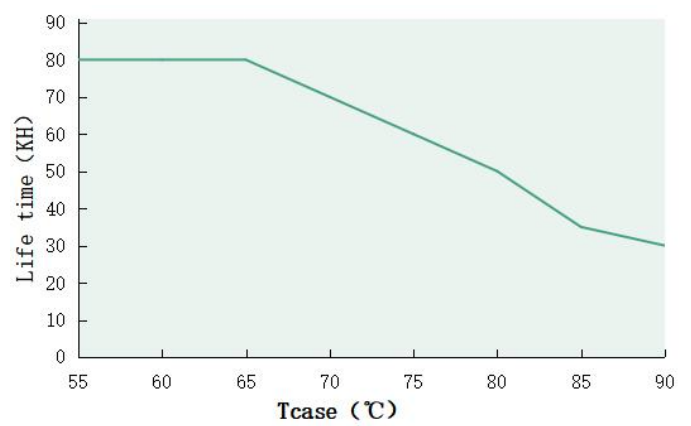
Power factor VS Input voltage(DL-80Z-56A/P-MXL)



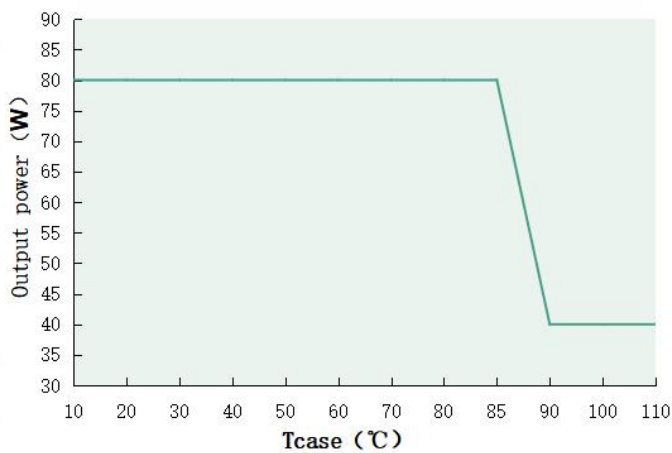
T.H.D. VS Output voltage(DL-80Z-56A/P-MXL)



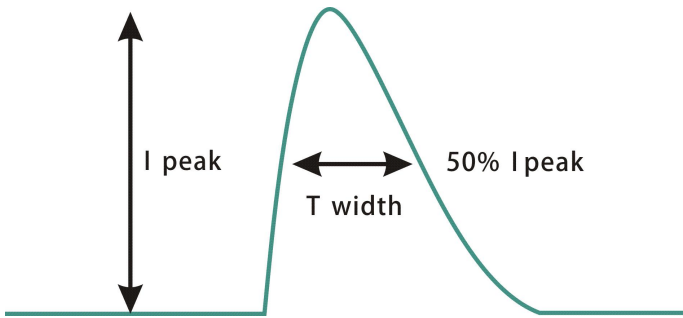
Tcase VS Lifetime(DL-80Z-56A/P-MXL)



Output power VS Tcase (DL-80Z-56A/P-MXL)

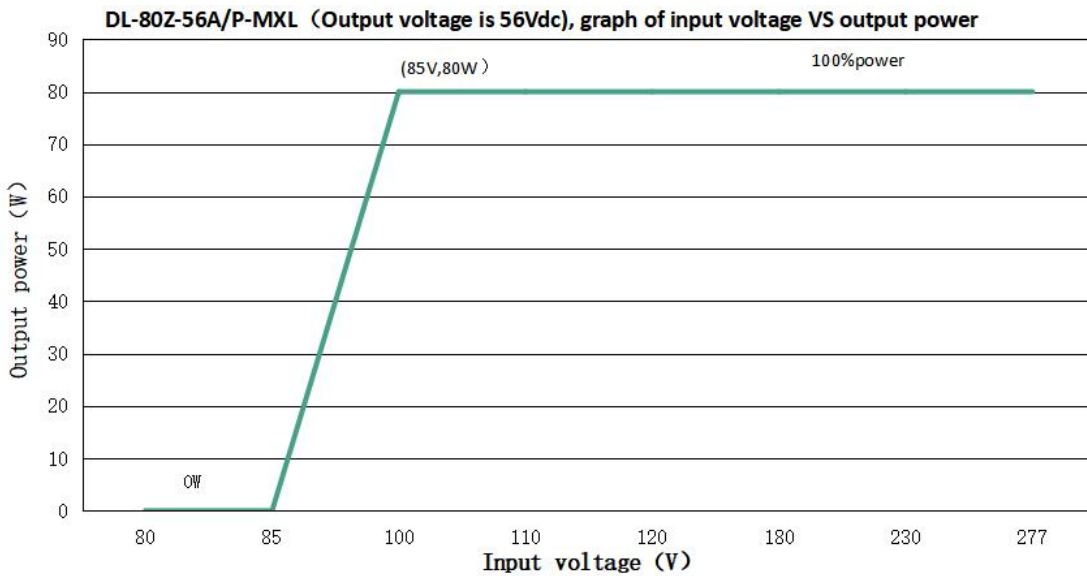


Inrush Current(DL-80Z-56A/P-MXL)



Input voltage	Peak current	T(@50% Peak current)
100Vac	23.5A	100US
230Vac	54.2A	100US
277Vac	65.2A	100US

Output power VS Input voltage



DL-80Z-56A/P-MXL(When the output voltage is 56Vdc, the rated output current value and output power corresponding to different input voltage)

Input Voltage	70Vac	85Vac	200Vac	220Vac	230Vac	240Vac	277Vac
Iout	0.714A	0.715A	1.423A	1.4285A	1.43A	1.43A	1.43A
Pout	40W	40W	80W	80W	80W	80W	80W

Note:

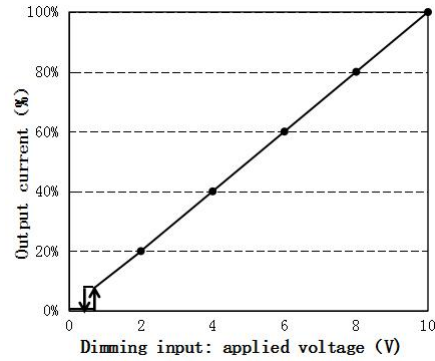
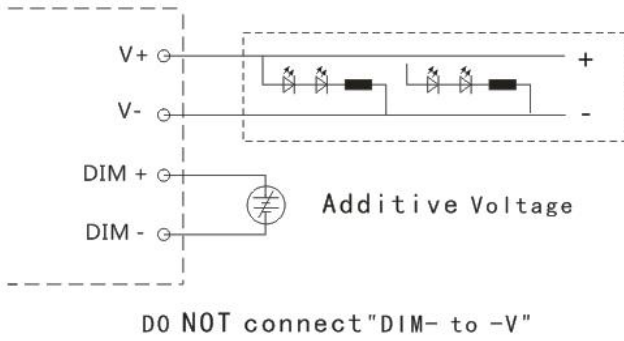
Output power is turn-off when input voltage less than 85Vac± 15V;

Dimming operation

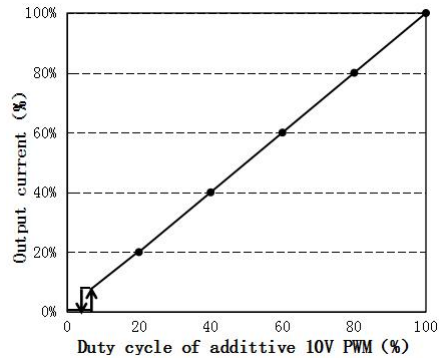
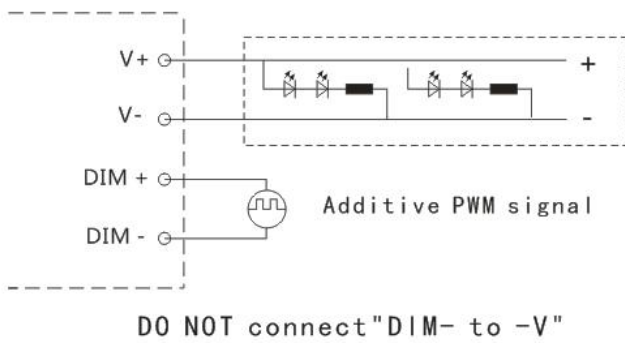
※ Three-in-one dimming function (P version only)

- A. Connect a resistor 10-100K or 0-10V DC voltage or 10V PWM signal between DIM+ and DIM- to adjust the output current.
- B. Output current of dimming port: 100uA (typical value).

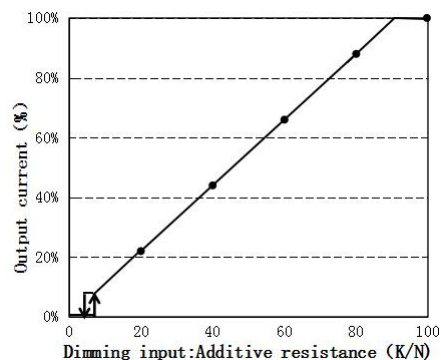
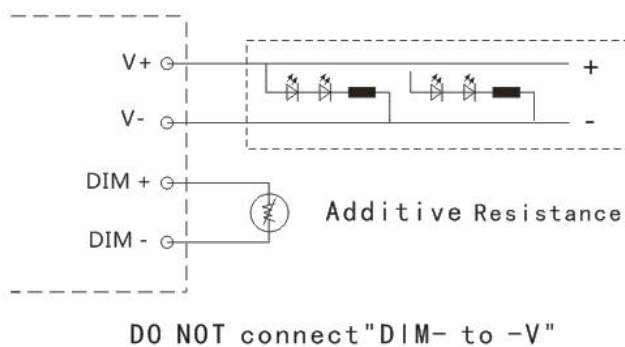
◎ With an applied voltage of 0-10V:



◎ Applying additive 10V PWM signal (Frequency range: 300Hz-2K Hz) :



◎ With an additional 10-100K resistor:



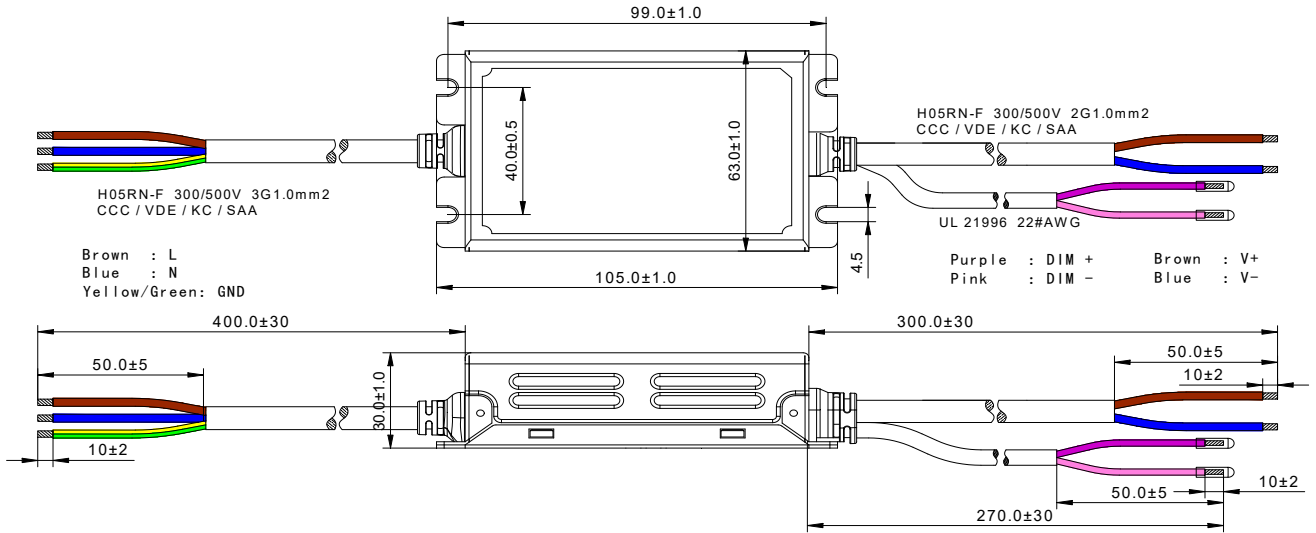
Note:

1. Positive and negative logic dimming can be programmed.
2. Dimming off only applies to positive logic. For other requirements, please contact technical personnel.

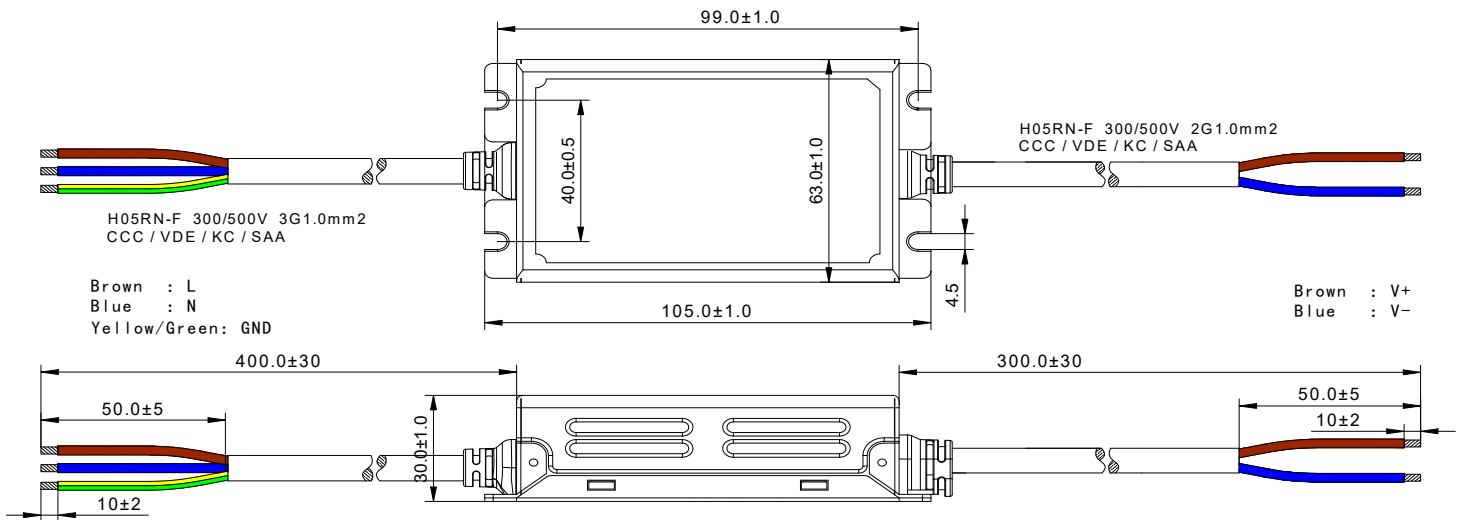
Mechanical specification

Size (mm) L105*W63*H30

DL-80Z-56P-MXL



DL-80Z-56A-MXL

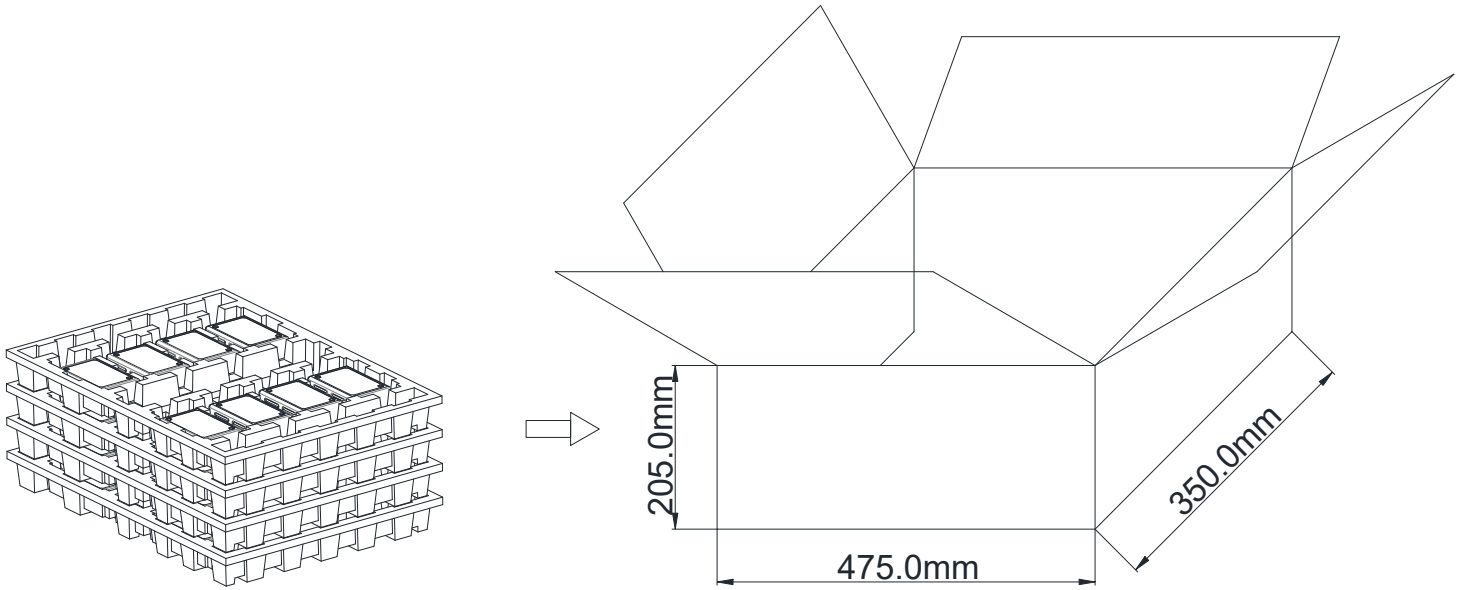


Weight

Weight 405g

Packaging

Packaging (mm) L475*W350*H205



Note: One Carton 4 layers and 8 pcs each layer, total 32pcs/carton.

Note:

1. According to the certificate obtained by the LED DRIVER, the LED DRIVER with the English label is sold in Europe, America and India.
2. The LED DRIVER with Chinese label is only used for China market.

Version

DATE	DESCRIPTION	REV.	CHECK
2024.4.19	Initial version.	V1.0	

MANUFACTRUER

EDIT

CHECK

APPROVE

--	--	--

