

The logo for DONE, featuring the word "DONE" in a bold, teal, sans-serif font. The letter "D" is stylized with a white circular element inside its top curve. The logo is enclosed in a thin teal rounded rectangular border.

MAL SERIES LED DRIVER

DL-30Z-MAL/DL-30H-MAL SPEC
V1.0

Features

- Class I type for insulation
- Input voltage range:100~277VAC
- Efficiency :89%(Typ.)
- Constant current output ,with power limitation for control mode
- Metal case, protection grade against water and dust: IP65
- Surge level:
 - differential mode :4kV,
 - common mode :6kV
- available version :
 - A version: Output current is dimmed by external potentiometer
 - S version: Output current is dimmed by Isolated 3 in 1 dimmer
- guaranteed Lifetime : 5 years



Applications

street lighting、 Industrial lighting、 Venue lighting
 Floodlight lighting、 Landscape lighting 、 Plant lighting



Model list

Model NO.	Input voltage	Output power	Output voltage	The default current	Eff.	T.H.D	PF
DL-30Z-58S-MAL	100-277V 50/60Hz	30W	32-58Vdc	0.71A	≥89%	≤10%	≥0.95
DL-30Z-58A-MAL							
DL-30H-58S-MAL							
DL-30H-58A-MAL							

- Note :**
1. Test conditions: Ta=25℃ , under 230Vac input,after running for 30 minutes with full load .
 2. When the input is 100-277Vac, the rated power is 30W, and special attention must be paid to the application.Please refer to “THE OUTPUT POWER VS INPUT VOLTAGE” curve chart for details.

Input characteristics

Parameter	Min	Typ.	Max	remark
Rated input voltage	100Vac	230Vac	277Vac	
Input voltage range	90Vac		305Vac	
Rated frequency range	47Hz	50/60Hz	63Hz	
Power factor	-	0.95	-	@230Vac input ,with full load
T.H.D.	-	-	10%	@230Vac input ,with full load
T.H.D.	-	-	20%	@100-277Vac input ,with 75%-100%
Input current	-	-	0.45A	@100Vac input ,with full load
Inrush current	-	-	50A	230Vac, cold start (25°C)

Output characteristics

Parameter	Min	Typ.	Max	remark
Rated current				
DL-30Z-58A/S-MAL	-	0.52A	-	With loading 58VDC
DL-30H-58A/S-MAL				
Output current range				
DL-30Z-58A/S-MAL	0.17A	-	0.72A	
DL-30H-58A/S-MAL				
Output voltage range				
DL-30Z-58A/S-MAL	32V	-	58V	Constant power output range:42-58VDC
DL-30H-58A/S-MAL				
Rated power	-	30W	-	Under rated input:100-277Vac
No-load voltage				
DL-30Z-58A/S-MAL	-	-	75V	
DL-30H-58A/S-MAL				
Efficiency@100Vac				
DL-30Z-58A/S-MAL	85%	86.5%	-	full load@100Vac
DL-30H-58A/S-MAL				
Efficiency@230Vac				
DL-30Z-58A/S-MAL	88%	89%	-	@230Vac input ,with full load
DL-30H-58A/S-MAL				
Accuracy of output current	-5%	-	+5%	For constant-power range , with full load
Line regulation	-5%	-	+5%	full load
Load regulation	-3%	-	+3%	full load
Starting time	-	-	500ms	Full load@230Vac

Note: 1.The output current is limited by the input and output voltage, please refer to "I-V WORKING AREA" for details;

Dimming characteristics

Dimming function		Min	Typ.	Max	Instructions
1-10V Dimming (Optional)	Safe operation voltage range	0V	-	12V	Refer to note 2.
	Rated operation voltage range	1V	-	10V	-
	Dimming output range	10%	-	100%	-
PWM Dimming (Optional)	PWM high level	9.5V	-	10.5V	-
	PWM low level	0V	-	0.3V	-
	Rated dimming frequency	300Hz	-	2000Hz	-
	PWM duty cycle	10%	-	99%	Output full power at 99% duty cycle
Resistor Dimming (Optional)	Rated external resistance value	10KΩ	-	100KΩ	Bigger resistor won't increase the output.
	Dimming output range	10%	-	100%	

Note:

1. Output current of dimming port: 100uA (typical value)
2. dimmer default 1-10V. it can be dim-off according to customer's requirements, but can't meet the requirement of 0.5W standby power consumption.
3. The maximum voltage applied to the dimming port is suggested below 12V, but it also is protected against wrong voltage up to 230VAC or 300VDC. Please don't keep the wrong voltage apply to the port for a long time. Otherwise, it is possible to be damaged.
4. The floating voltage at the dimming port may be up to 13.5V, please notice it.

Protection

Protection	description
Output over-voltage protection	hiccup mode, and recovers automatically when the fault condition is removed.
Output short circuit protection	Hiccup mode, and recovery automatically when the fault condition is removed.
Output over-power protection	The maximum output power is limited to about 1.1 time of the rating automatically. Only for P version

Note:

1. Unless otherwise specified, all parameters should be measured at the condition of 230Vac (50Hz) input, with rated load, and ambient temperature of 25°C;

Environmental characteristics

Environmental categories	Parameter
Working temperature	-40 ~ +55℃
Working humidity	20 ~ 95% RH
Storage temperature、humidity	-40~+80℃, 10 ~ 95% RH
Resistant to vibration	10 ~ 500Hz, 5G 12 min/cycle, X, Y, Z axis 72 min each
MTBF	230Khrs min. MIL-HDBK-217F (Ta=25℃)
Lifetime	50000 hours @Tcase=75℃,refer to" Tcase VS Lifetime " curve

Safety and EMC

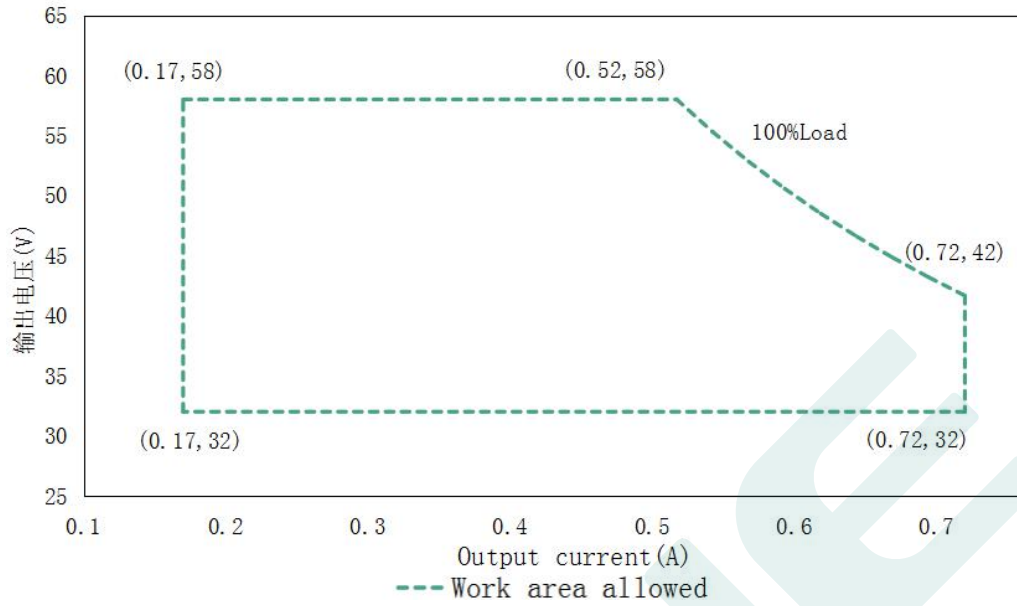
Safety categories	Standard
Safety	GB19510.1、GB19510.14、EN61347-1、EN61347-2-13、IEC61347-1、IEC61347-2-13、AS/NZS61347.1、AS61347.2.13、EN 62384;
EMC	EN 55015、EN 61547、EN 61000-3-2、GB/T 17743、GB17625.1、EN 61000-3-3
Surge level	Differential mode L-N ±4KV (2 ohm) ,common mode L, N-PE± 6KV (12 ohm); Refer to IEC61000-4-5 2014 Criterion B
High-pot test	I/P-O/P:3.75KVac I/P-PE :1.5KVac O/P-PE : 0.5KVac I/P-DIM:3.75KVac O/P-DIM:1.5KVac
Insulation impedance	I/P-PE:100MΩ / 500VDC; I/P-O/P:100MΩ / 500VDC / 25℃/ 70% RH
Leakage current	<0.7mA@277Vac

Note:

1.Attention! As a component of the whole, the EMC performance of the final product is not only decided by the driver, even if the driver is well-designed and fulfil all the required compliance. The final equipment manufacturers must re-qualify EMC Directive on the complete product.

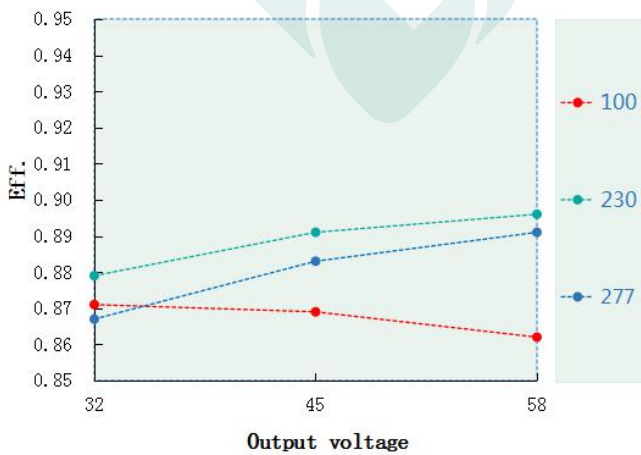
I-V Working area

Output voltage VS output current of DL-30Z-58S/A-MAL、DL-30H-58S/A-MAL (input: 100-277Vac)

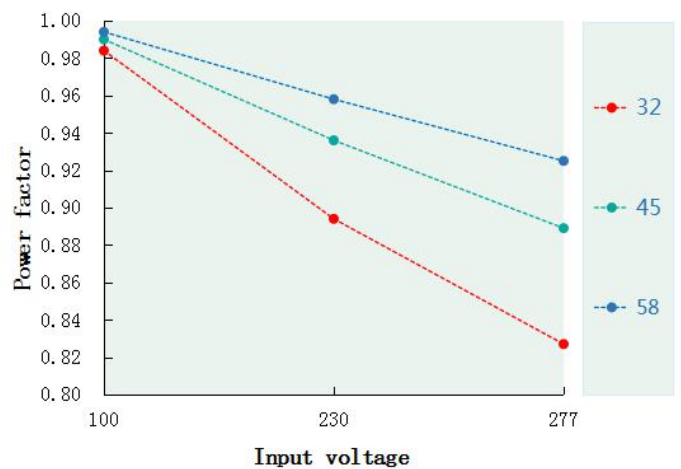


Load	Output								
Load working Voltage	32V	36V	39V	42V	46V	49V	52V	55V	58V
Io_MAX	0.72A	0.72A	0.72A	0.72A	0.65A	0.61A	0.57A	0.54A	0.52A
Po_MAX	23W	26W	28.1W	30W	30W	30W	30W	30W	30W

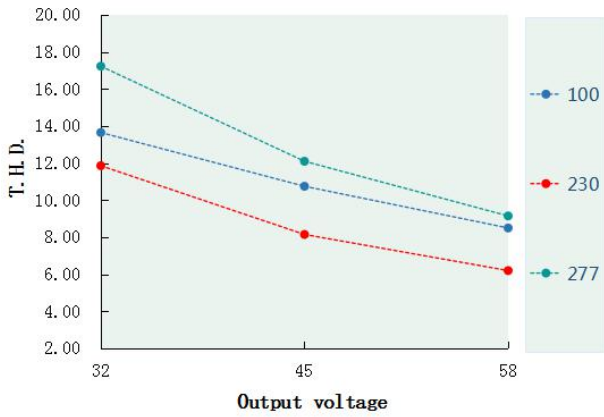
Eff. VS Output voltage(DL-30Z-MAL,DL-30H-MAL)



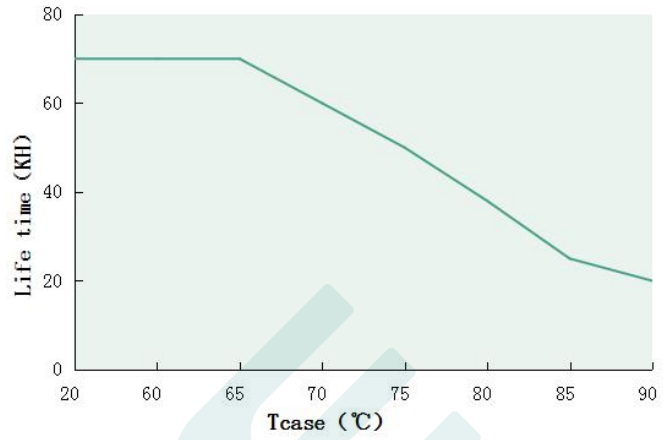
Power factor VS Input voltage(DL-30Z-MAL,DL-30H-MAL)



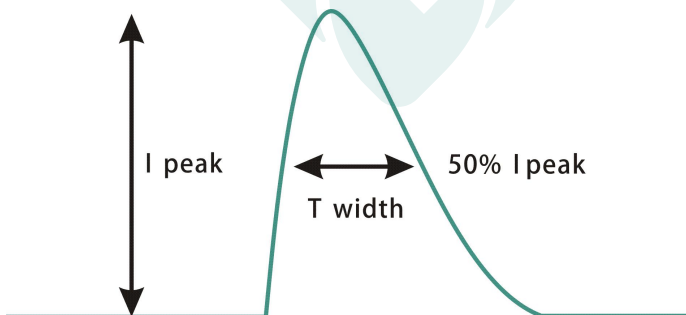
T.H.D. VS Output voltage(DL-30Z-MAL,DL-30H-MAL)



Tcase VS Lifetime(DL-30Z-MAL,DL-30H-MAL)

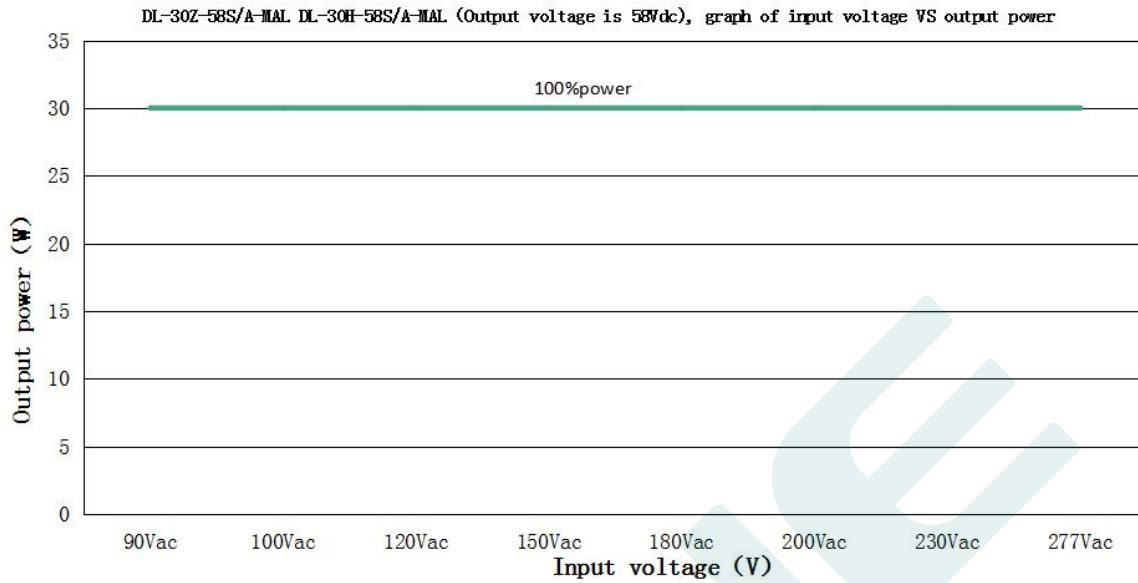


Inrush Current(DL-30Z-58S/A-MAL DL-30H-58S/A-MAL)



Input voltage	Peak current	T(@50% Peak current)
100Vac	37A	2.7us
230Vac	45A	3us
277Vac	53A	3us

Output power VS Input voltage



DL-30Z-58S/A-MAL DL-30H-58S/A-MAL (For output 58Vdc, the rated output current & power under different input voltage)

Input Voltage	90Vac	100Vac	120Vac	150Vac	200Vac	230Vac	277Vac
Iout	0.52A	0.52A	0.52A	0.52A	0.52A	0.52A	0.52A
Pout	30W	30W	30W	30W	30W	30W	30W

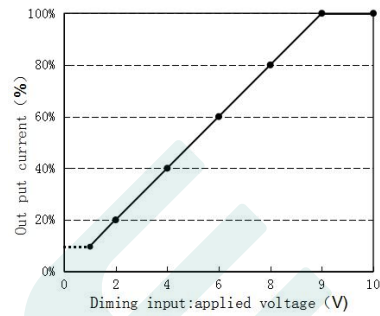
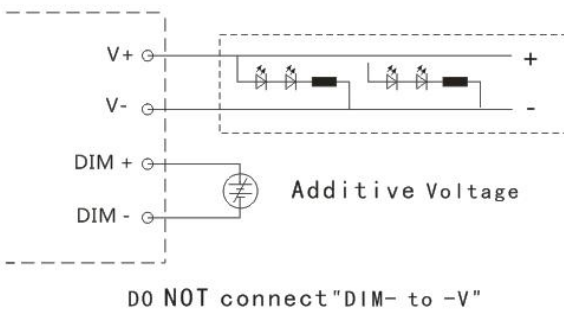
Dimming function

※ Three-in-one dimming function (S version only)

A. To adjust the output current, applying one of the three methods between DIM+ and DIM- : a resistor of 0-100K, or any voltage of 0-10V , or a PWM signal with amplitude of 10V. .

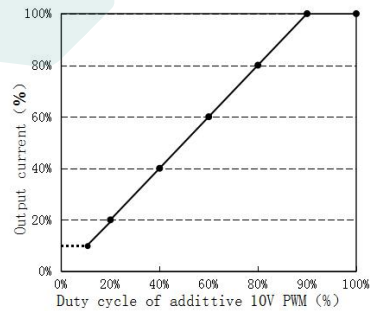
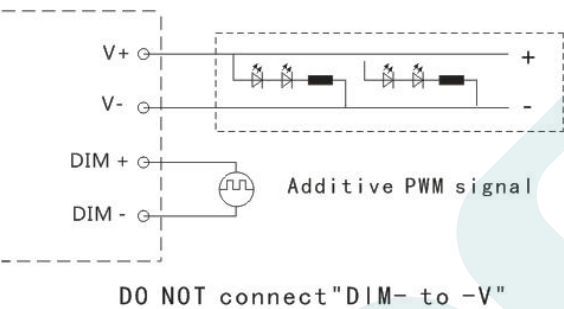
B. output current of dimming port: 100uA (typical value).

◎ With 1-10V dimming voltage(for both logic,negative and positive):



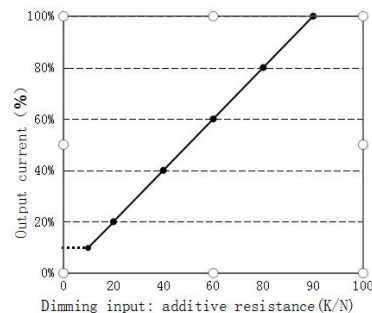
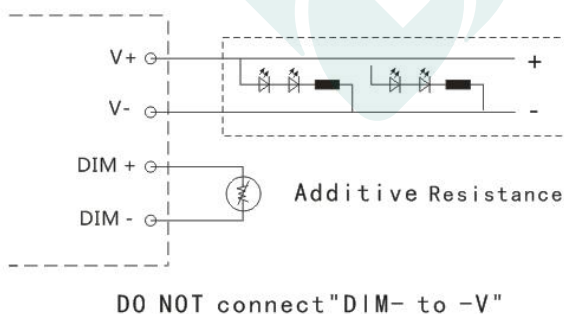
dimming curve

◎ With 10V PWM signal (Frequency range: 300Hz-2K Hz) :



dimming curve

◎ With an additional 0-100K resistor:



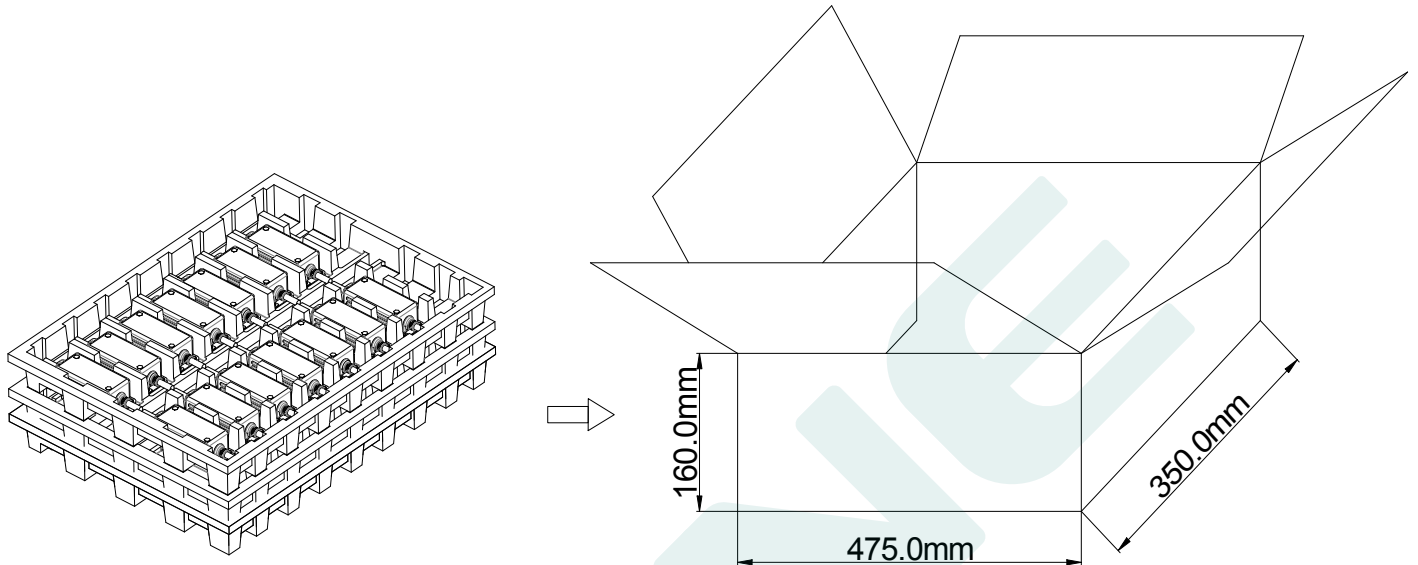
dimming curve

Remark:

1. It is recommended to use 1-10V and the equivalent 3-in-1 dimmer, and the default state is to dim-off but can't meet the requirement of less than 0.5W standby power. If it is no need to be turned off, please contact the technicians for help.

Packaging

Packaging (mm) L475*W350*H160



Note: One Carton 3 layers and 14 pcs each layer, total 42pcs/carton.

Note:

1. According to the qualified certificate of the LED DRIVER, that with English label is for sale in Europe, America and India.
2. That with Chinese label are used for Chinese market.

Version

DATE	DESCRIPTION	REV.	CHECK
2023.11.25	Initial version.	V1.0	

MANUFACTRUER

EDIT	CHECK	APPROVE