

广东东菱电源科技有限公司

客户承认书

Guangdong Done Power Technology Co.,Ltd.

SPECIFICATION

CUSTOMER :			
MODEL NO. :	DL-20H-LAN		
VERSION:	V1.4		
CUSTOMER			
TESTED BY	CHECKED BY	APPROVED BY	
Please return to us one copy of "SPECIFICATION FOR APPROVAL" with you approved signature..			
MANUFACTRUE			
MADE BY	CHECKED BY	APPROVED BY	
	 2021.03.23 08:12:25 +08'00'	 数字签名者: 张鸿生 DN: cn=张鸿生, o, ou, email=978425630@qq.com, c=<无 日期: 2021.03.23 08:51:30 +08'00'	
Guangdong Done Power Technology Co.,Ltd 广东东菱电源科技有限公司 No. 3-1&3-2, Kanglong 3rd Road, XinMao Industry Zone, Henglan Town, Zhongshan City, Guangdong Province, P. R. China Post code:528478 地址: 广东省中山市横栏镇新茂工业区康龙三路 3 号之一之二 邮编: 528478 TEL:0760-89838399 89838379 FAX:0760-89831157 89838396			

FEATURES

- ◇ Class II driver
- ◇ AC input: 220-240V ~ 50/60Hz
- ◇ The input is 230Vac, the output is full, and the efficiency is up to 87%.
- ◇ PF > 0.95 & THD < 12% full load
- ◇ The level of lightning surge is differential mode L-N Class II + /-1 KV (2 ohm). Refer to IEC61000-4-5 2014
- ◇ CCC/TUV/CE approved
- ◇ Ultra-long life design, 5 years warranty



TYPICAL APPLICATIONS

Commercial lighting , Household lighting



MODEL LIST

Model	AC Input	Output voltage	Output current	Efficiency	THD	PF
				230Vac	230Vac	230Vac
DL-20H-C550-LAN	220-240Vac 50/60Hz	25-42Vdc	550mA	>87%	< 12%	>0.95
DL-20H-C500-LAN	220-240Vac 50/60Hz	25-42Vdc	500mA	>87%	< 12%	>0.95
DL-20H-C450-LAN	220-240Vac 50/60Hz	25-42Vdc	450mA	>87%	< 12%	>0.95
DL-20H-C400-LAN	220-240Vac 50/60Hz	25-42Vdc	400mA	>87%	< 12%	>0.95

Note: the above parameters are measured at: Ta=25 °C, 230Vac input, working at full load for 30 minutes.

■ SPECIFICATION

◇ INPUT

Rated voltage	220 -240Vac
Voltage range	200 - 264Vac
Rated Frequency	50/60Hz
Power factor(PF)	>0.95 @230Vac full load
Total harmonic distortion(THD)	<12%@230Vac full load
Input current	0.2A @230Vac full load
Inrush current	70A @230Vac full load

◇ OUTPUT

Model	DL-20H-C550-LAN	DL-20H-C500-LAN	DL-20H-C450-LAN	DL-20H-C400-LAN
Rated current	550mA	500mA	450mA	400mA
Output current range	522-578mA	475-525mA	419-473mA	372-420mA
Output voltage range	25~42Vdc	25~42Vdc	25~42Vdc	25~42Vdc
Rated output power	23.1W	21W	18.9W	16.8W
No load voltage	52V MAX.	52V MAX.	52V MAX.	52V MAX.
Efficiency	>87%@230Vac full load	>87%@230Vac full load	>87%@230Vac full load	>87%@230Vac full load
Accuracy off output current	±5%	±5%	-7%~+5%	-7%~+5%
Line regulation	±5%	±5%	-7%~+5%	-7%~+5%
Load regulation	±5%	±5%	-7%~+5%	-7%~+5%
Setup time	<500ms @ 230Vac	<500ms @ 230Vac	<500ms @ 230Vac	<500ms @ 230Vac

◇ PROTECTION

Over load	Non-latching : Constant current limiting, recovers automatically after fault condition is removed
Short	Hiccup and non-latching, recover automatically after fault condition is removed
Over voltage	hiccup or when it is at the highest point of output voltage the product would not be hurt when the fault is excluded or is start working again the power supply is working normally

NOTE :

- 1) All parameters NOT specially mentioned are measured at 230VAC (50Hz) input, rated load and 25°C of ambient temperature.
- 2) Tolerance : includes set up tolerance, line regulation and load regulation.
- 3) Constant current operation region is within 50% ~100% rated output voltage. This is the suitable operation region for LED related applications.

■ ENVIRONMENT

WORKING TEMP.	-25 ~ +50°C (Refer to "Derating Curve")
WORKING HUMIDITY	20 ~ 95% RH, non-condensing
STORAGE TEMP, HUMIDITY	-25 ~ +80°C, 10 ~ 95% RH
VIBRATION	10 ~ 500Hz, 5G 12min./1cycle, period for 72min. each along X, Y, Z axes
WITHSTAND VOLTAGE	I/P-O/P:3.75KVAC
ISOLATION RESISTANCE	I/P-O/P:100M Ohms / 500VDC / 25°C/ 70% RH
MTBF	470K hrs min. MIL-HDBK-217F (25°C)

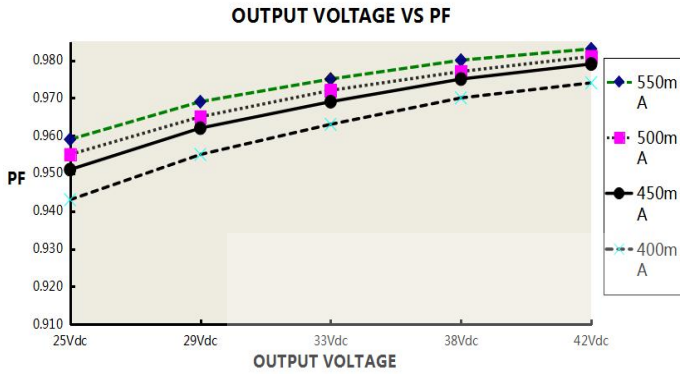
■ SAFETY & EMC

SAFETY	GB19510.1、GB19510.14、EN61347-1、EN61347-2-13、IEC61347-1、IEC61347-2-13、AS/NZS61347.1、AS/NZS61347.2.13 ; GB19510.1、GB19510.14、EN61347-1、EN61347-2-13、IEC61347-1、IEC61347-2-13、AS/NZS61347.1、AS/NZS61347.2.13 ;
EMC	EN 55015、EN 61000-3-2 、GB/T 17743、GB17625.1、 EN 61000-3-3
SUGER	The level of lightning surge is differential mode L-N Class II + /-1 KV (2 ohm) (IEC61000-4-5 2014).
LEAKAGE CURRENT	<0.7mA / 230Vac

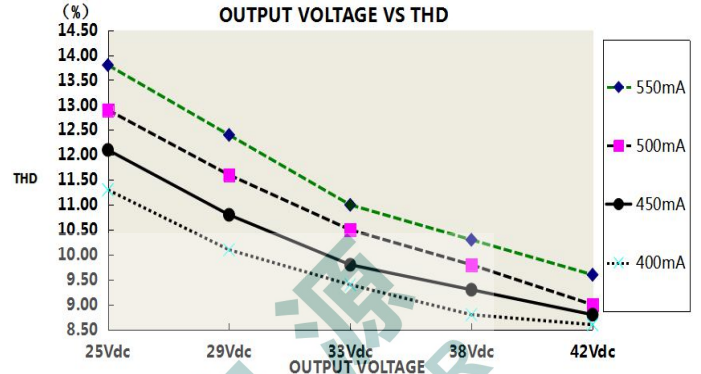
NOTE :

The power supply is considered as a component that will be operated in combination with final equipment. Since EMC performance will be affected by the complete installation, the final equipment manufacturers must re-qualify EMC Directive on the complete installation again.

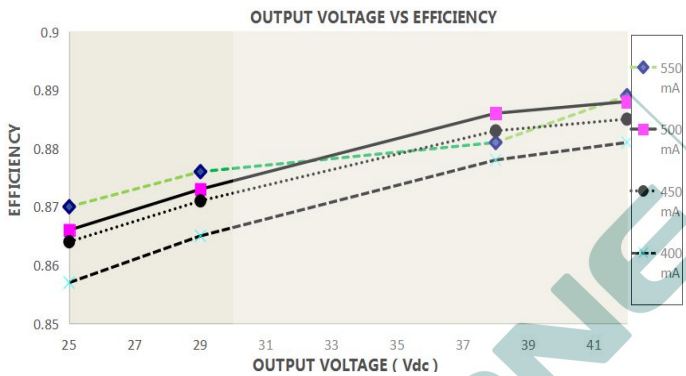
OUTPUT VOLTAGE VS PF



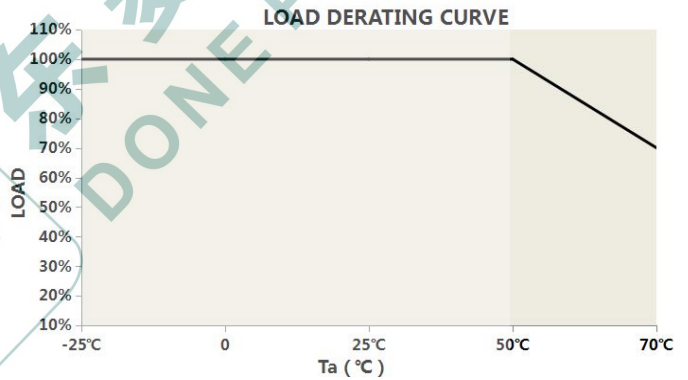
OUTPUT VOLTAGE VS THD



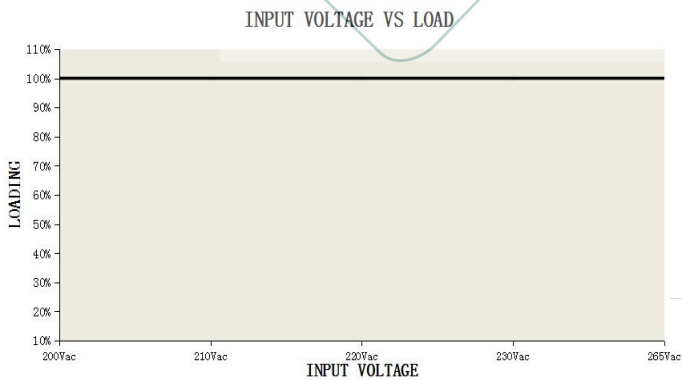
OUTPUT VOLTAGE VS EFFICIENCY



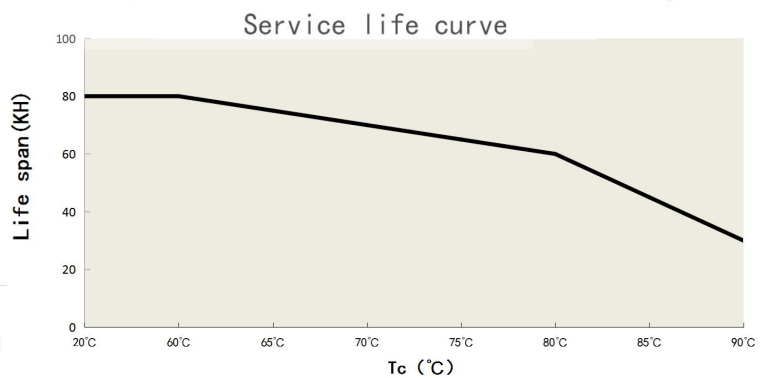
LOAD DERATING CURVE



INPUT VOLTAGE VS LOAD



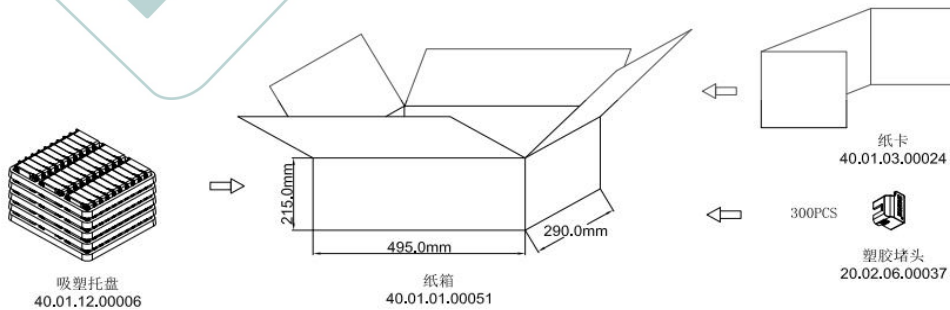
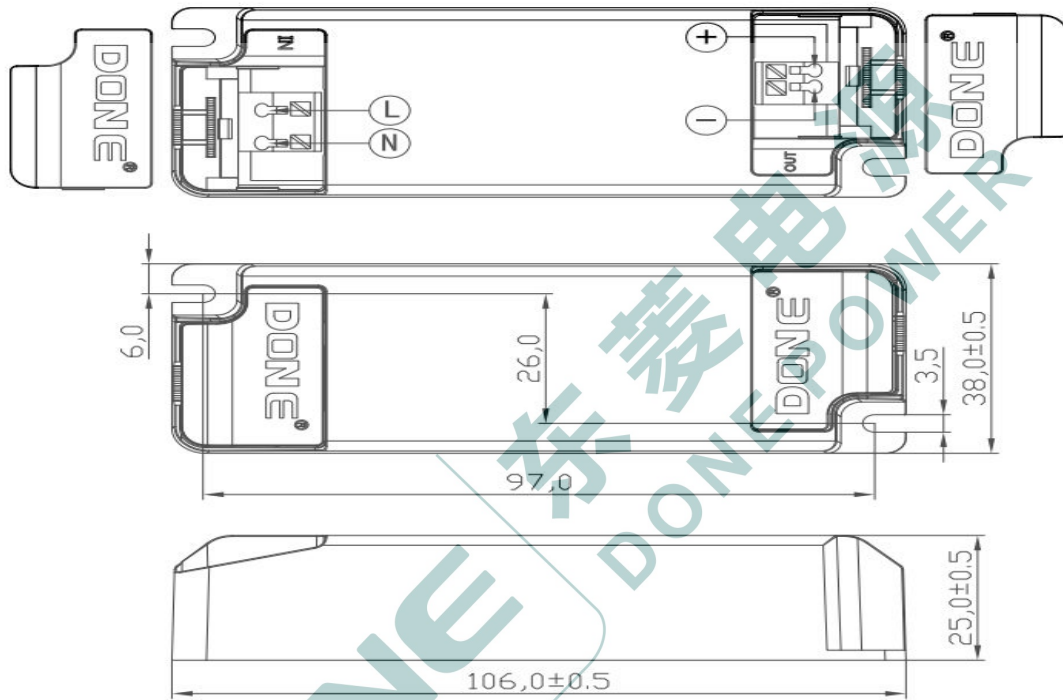
LIFE VS Tc



MECHANICAL SPECIFICATION & PACKING :

DIMENSION (mm)	106*38*25
PACKING	/

机壳型号： FP02 单位:mm



注：一箱5层，每层30PCS

WEIGHT

Weight	64g/PCS
--------	---------