

The logo for DONE, featuring the word "DONE" in a bold, teal, sans-serif font. The letter "D" is stylized with a white circular element inside its top curve. The logo is enclosed in a thin teal rounded rectangular border.

MXG SERIES LED DRIVERS

DL-150Z-A/P-MXL SPEC E2.0

Features

- Class I structure
- Input voltage: 100-277 V ~ 50/60 Hz
- Efficiency :92%(Typ.)
- Constant power drive and constant current output control mode
- Metal shell structure, protection grade: IP67
- Lightning protection level: differential mode 6kV, common mode 15kV
- Function selection:

Output current is adjusted by external potentiometer (A version only)

Isolated 3 in 1 dimming (P version only)

- Lifetime design: 5 years



Applications

Road lighting、Industrial lighting、Venue lighting

Floodlight lighting、Landscape lighting、Plant lighting



Model list

Model NO.	Input voltage	Output power	Output voltage	The default current	Eff.	T.H.D	PF
DL-150Z-56P-MXL	100-277V	150W	25-56Vdc	4.2A	≥91.3%	≤7%	≥0.95
DL-150Z-56A-MXL	50/60Hz						
DL-150Z-107P-MXL	100-277V	150W	48-107Vdc	1.9A	≥92%	≤7%	≥0.95
DL-150Z-107A-MXL	50/60Hz						
DL-150Z-214P-MXL	100-277V	150W	95-214Vdc	0.7A	≥92.3%	≤7%	≥0.95
DL-150Z-214A-MXL	50/60Hz						

Note:

1. Test conditions of the above parameters: Ta=25°C, 230Vac input, full load operation for 30 minutes;
2. When input 100-277VAC, rated power 150W,

Please refer to “THE OUTPUT POWER VS INPUT VOLTAGE” curve chart for details.

Input characteristics

Parameter	Min	Typ.	Max	Note
Rated input voltage	100Vac	230Vac	277Vac	
Input voltage range	90Vac		305Vac	
Rated frequency	47Hz	50/60Hz	63Hz	
Power factor	0.95	-	-	@230Vac full load, rated input voltage
Power factor	0.9	-	-	80%-100% load, 100-277VAC input
T.H.D.	-	-	7%	@230Vac full load
T.H.D.	-	-	20%	80%-100% load, 100-277VAC input
Input current	-	-	1.9A	@100Vac full load
Inrush current	-	-	85A	230Vac, cold start (25°C)

Output characteristic

Parameter	Min	Typ.	Max	Note
Rated current				
DL-150Z-56A/P-MXG	-	2.68A	-	
DL-150Z-107P/A-MXL	-	1.4A	-	
DL-150Z-214A/P-MXG	-	0.7A	-	
Output current range				
DL-150Z-56A/P-MXG	1.7A	-	4.2A	
DL-150Z-107P/A-MXL	1.4	-	2.1A	
DL-150Z-214A/P-MXG	0.5A	-	1.05A	
Output voltage range				
DL-150Z-56A/P-MXG	25V	-	56V	
DL-150Z-107P/A-MXL	48V	-	107V	
DL-150Z-214A/P-MXG	95V	-	214V	
Rated power(100-277Vac)	-	150W	-	
No-load voltage				
DL-150Z-56A/P-MXG	-	-	60V	
DL-150Z-107P/A-MXL	-	-	120V	
DL-150Z-214A/P-MXG	-	-	250V	
Efficiency@100Vac				
DL-150Z-56A/P-MXG	87.0%	88%	-	full load@100Vac
DL-150Z-107P/A-MXL	87.0%	88%	-	
DL-150Z-214A/P-MXG	89.0%	90.0%	-	

Output characteristic

Parameter	Min	Typ.	Max	Note
Efficiency@230Vac				
DL-150Z-56A/P-MXG	91.0%	92%	-	full load@230Vac
DL-150Z-107P/A-MXL	91.5%	92.5%		
DL-150Z-214A/P-MXG	92.0%	93%		
Output Current Ripple	-	5% I _{omax}	-	100% load, 20 MHz BW; Ripple =rms/ average
Accuracy of output current	-3%	-	+3%	full load
Line regulation	-3%	-	+3%	full load
Load regulation	-3%	-	+3%	full load
Starting time	300 ms	-	1000 ms	Full load@120-277Vac

Note: 1.The output current range is limited by the input and output voltage, please refer to “I-V WORKING AREA” for details.

Dimming characteristic

Dimming function		Min	Typ.	Max	Instructions
0-10V Dimming (Optional)	Safe applied voltage range	0V	-	12V	When the external voltage is $\geq 12V$, the dimming will fail
	Dimming output range	0%	-	100%	-
	Rated dimming voltage range	0V	-	10V	It can be set to negative dimming mode through program setting
PWM Dimming (Optional)	PWM high level	9.5V	-	10.5V	-
	PWM low level	0V	-	0.3V	-
	PWM frequency scope	300Hz	-	2000Hz	-
	PWM duty cycle	0%	-	99%	Output full power at 99% duty cycle
Resistor Dimming (Optional)	External resistance value	0K Ω	-	100K Ω	-
	Dimming output range	0%	-	100%	-
Multiple time-controlled dimming (optional)	MCU control	Set segment dimming function through program		Working mode	
	Timer control	It is divided into six segments by default and can be customized		24H to achieve a cycle	

Note:

1. Output current of dimming port: 100uA (typical value);
2. The X version is 0-10V dimming, and the P version is 1-10V dimming (0V can be turned off). The maximum voltage of the dimming port is 12V. If the external power supply voltage exceeds 12V or the signal cable is inverted, the power supply will be damaged;
3. Dimming default setting is three in one positive logic dimming (programmable software can be set to timing dimming, 0-5V or other voltage dimming);
4. When set to positive logic dimming function, the 0V dimming is turned off, and the output voltage is $0.46 \cdot V_{omax}$ after the dimming is turned off. Be careful when using this function, but customers are advised to use 1-10V dimming.
5. When setting negative logic dimming, the default output is 100% when the dimming is suspended. Negative logic dimming cannot be turned off. When the port voltage of the dimming is greater than 10.3V, the maximum power output of the power supply will be achieved.

Protection

Function	Function instructions
Output overload protection	Protection mode:hiccup mode,recovers automatically after fault condition is removed.
Output short circuit protection	Hiccup mode:recovers automatically after fault condition is removed
Over temperature protection	Self-recovery type: when the housing temperature is greater than 90℃, the output power decreases gradually.
Output over-voltage protection	Protection mode: Hiccup mode or clamped in output highest voltage , the product is not damaged, LED driver works normally after fault condition is removed.

Note:

1. Unless otherwise specified, all specifications and parameters shall be measured at the conditions of 230Vac (50Hz), rated load and 25℃ of ambient temperature;
2. Including setting error, line regulation and load regulation.

Environmental

Environmental categories	Parameter
Working temperature	-40 ~ +50℃@200-277Vac, -40 ~ +45℃ @120-200Vac (refer to "Life Curve ")
Max.Case Temp.	-40 ~ 90℃
Working humidity	20 ~ 95% RH, non condensing
Storage temperature, humidity	-40 ~ +80℃, 10 ~ 95% RH
Resistant to vibration	10 ~ 500Hz, 5G 12 min/cycle, X, Y, Z axis 72 min each
MTBF	230Khrs min. MIL-HDBK-217F (Ta=25℃)
Lifetime	50,000 hours @Tcase≤75℃,230Vac, 80% Load, Please refer to "Tcase VS Lifetime" section

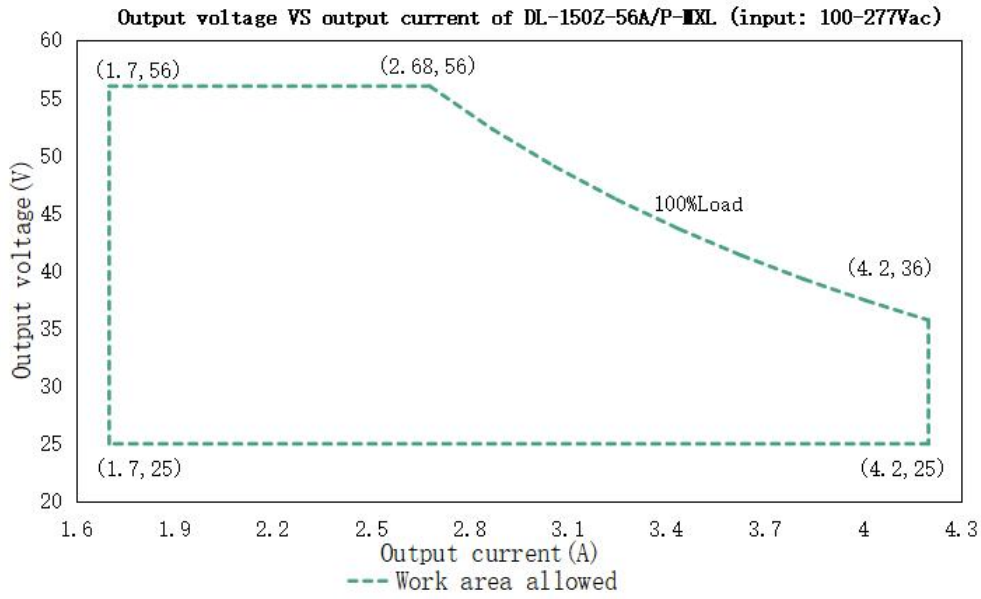
Safety and EMC

Safety categories	Standard
Safety	GB19510.1、GB19510.14、EN61347-1、EN61347-2-13、IEC61347-1、IEC61347-2-13、AS/NZS61347.1、AS61347.2.13、EN 62384、UL8750;
EMC	EN 55015、EN 61000-3-2 、GB/T 17743、GB17625.1、EN 61000-3-3
Surge protection	Differential mode L-N $\pm 6KV$ (2 ohm) ,common mode L, N-PE $\pm 15 KV$ (12 ohm); Refer to IEC61000-4-5 2014 Criterion B
High-pot test	I/P-O/P:3.75KVac I/P-PE :1.5KVac O/P-PE : 0.5KVac I/P-DIM:1.5KVac O/P-DIM:1.5KVac
Insulation impedance	I/P-PE:100M Ω / 500VDC; I/P-O/P:100M Ω / 500VDC / 25 $^{\circ}C$ / 70% RH
Leakage current	<0.7mA@277Vac

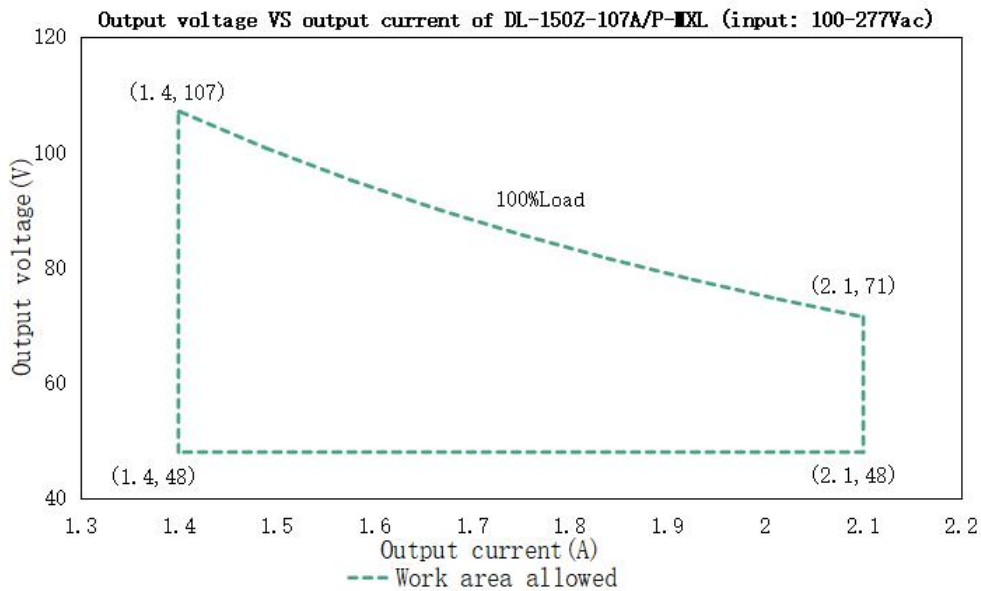
Note:

1. The driver is considered as a component that will be operated in combination with the final equipment. Since EMC performance will be affected by the complete installation,the final equipment manufacturers must re-qualify EMC Directive on the complete installation again.

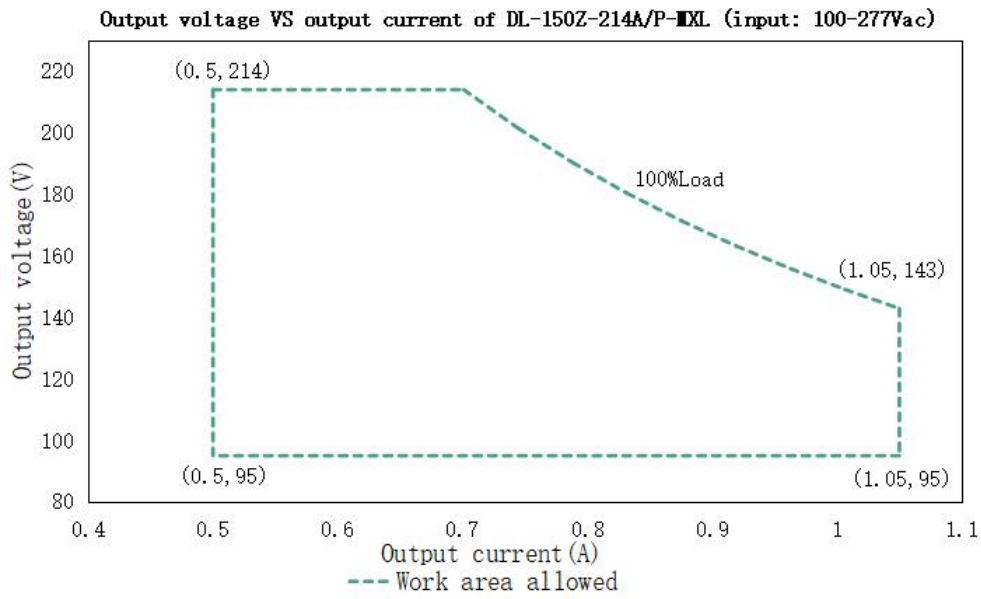
I-V Working area



Load	Output								
Load working Voltage	25V	29V	33V	36V	40V	44V	48V	52V	56V
Io_MAX	4.2A	4.2A	4.2A	4.17A	3.75A	3.41A	3.13A	2.88A	2.68A
Po_MAX	105W	121.8W	138.6W	150W	150W	150W	150W	150W	150W

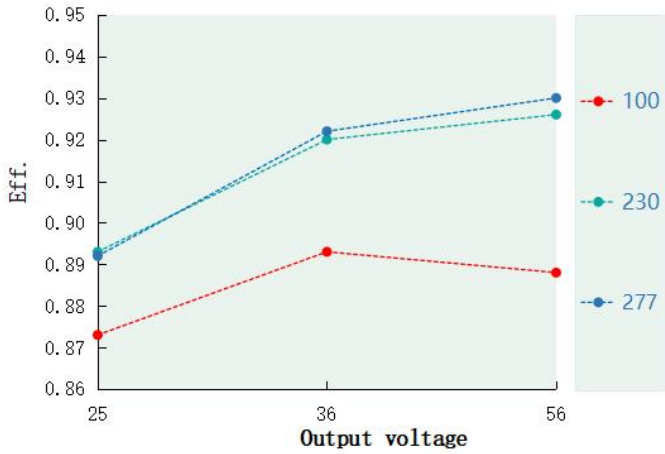


Load	Output								
Load working Voltage	48V	56V	64V	71V	80V	88V	96V	104V	107V
Io_MAX	2.1A	2.1A	2.1A	2.1A	1.87A	1.7A	1.56A	1.44A	1.4A
Po_MAX	100.8W	117.6W	134.4W	149.1W	150W	150W	150W	150W	150W

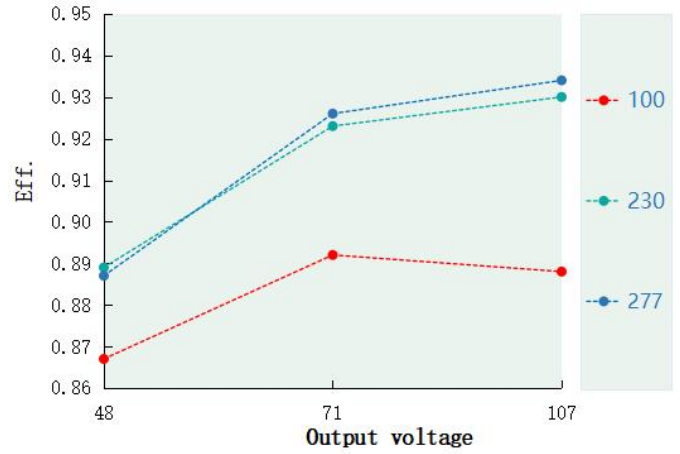


Load	Output								
Load working Voltage	95V	120V	135V	143V	165V	180V	190V	200V	214V
Io_MAX	1.05A	1.05A	1.05A	1.05A	0.91A	0.83A	0.79A	0.75A	0.7A
Po_MAX	99.75W	126.0W	141.75W	150W	150W	150W	150W	150W	150W

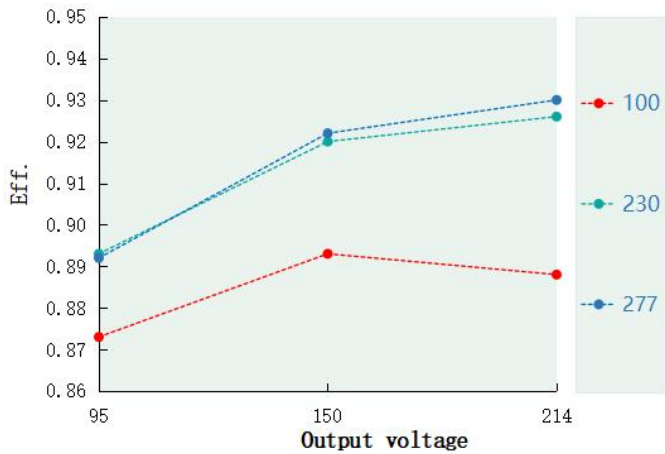
Eff. VS Output voltage(DL-150Z-56A/P-MXL)



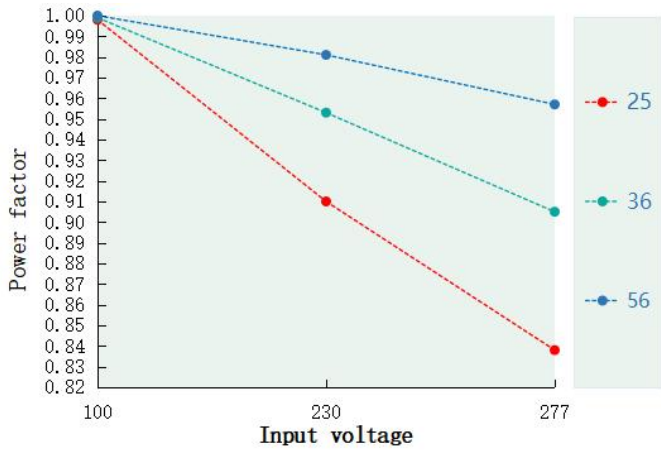
Eff. VS Output voltage(DL-150Z-107A/P-MXL)



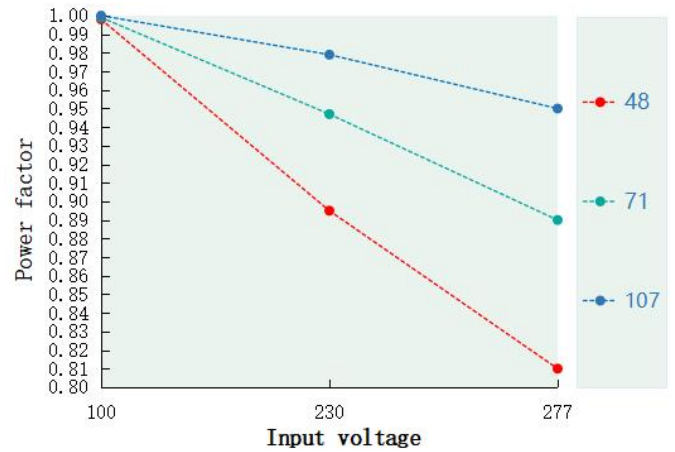
Eff. VS Output voltage(DL-150Z-214A/P-MXL)



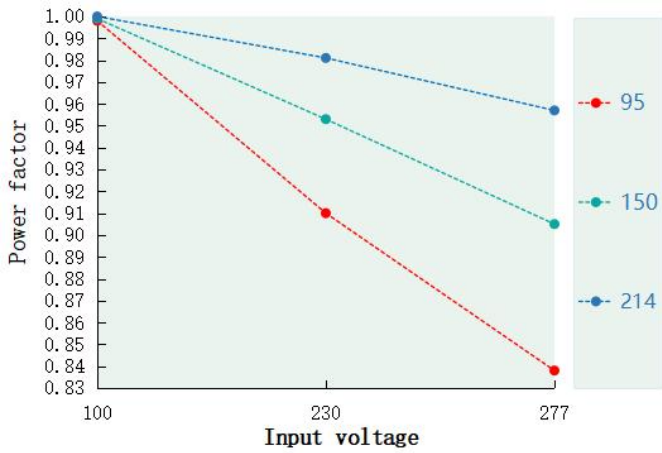
Power factor VS Input voltage(DL-150Z-56A/P-MXL)



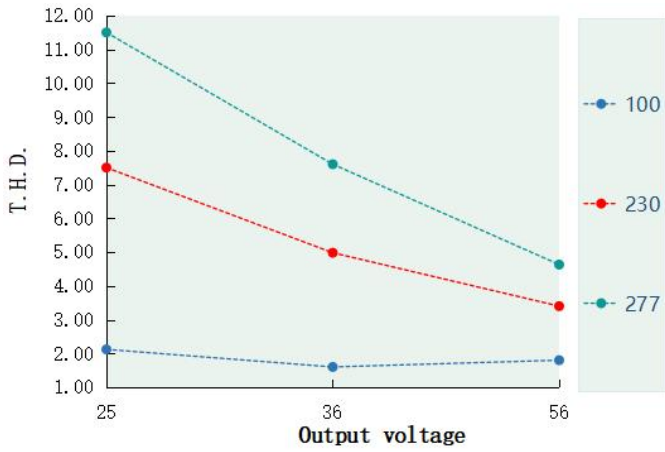
Power factor VS Input voltage(DL-150Z-107A/P-MXL)



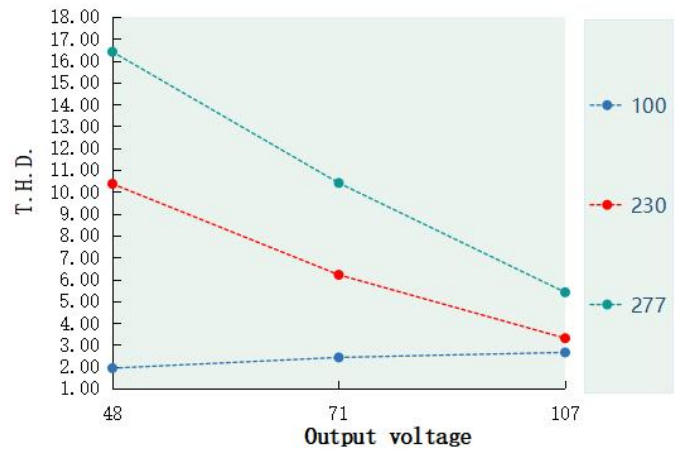
Power factor VS Input voltage(DL-150Z-214A/P-MXL)



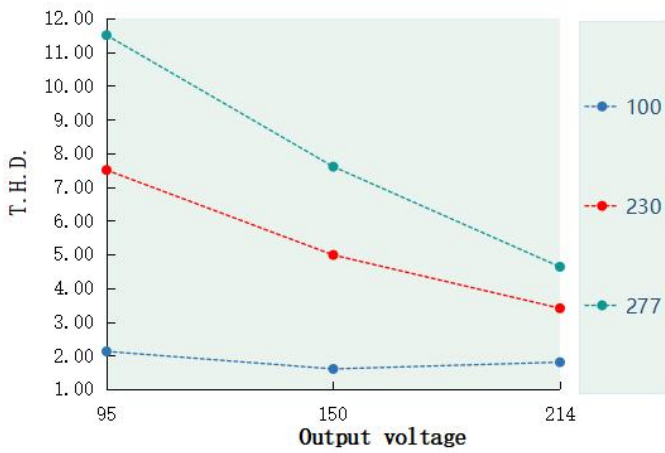
T.H.D. VS Output voltage(DL-150Z-56A/P-MXL)



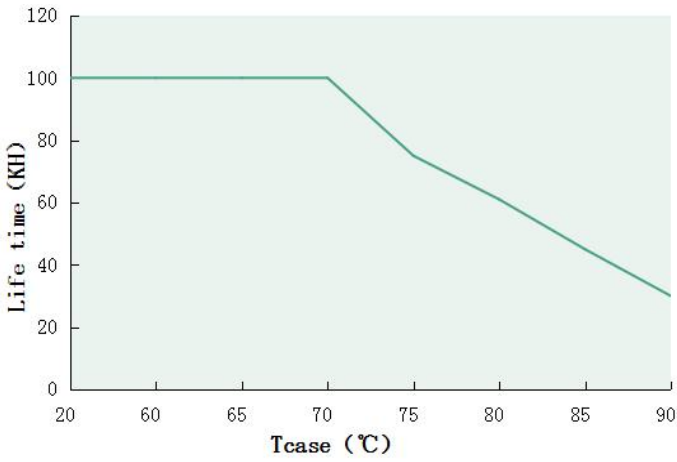
T.H.D. VS Output voltage(DL-150Z-107A/P-MXL)



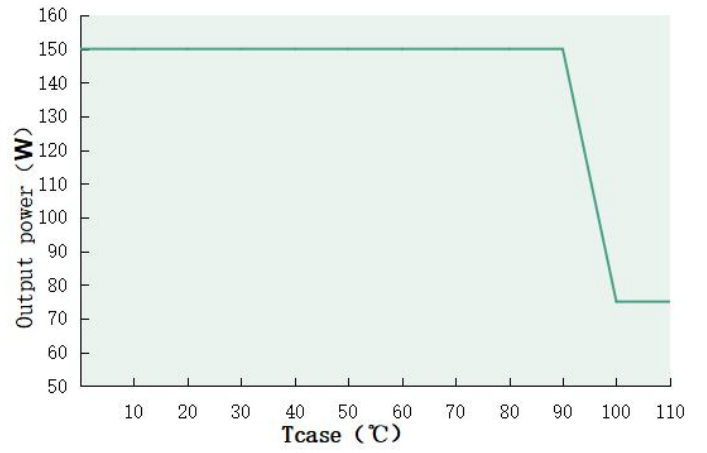
T.H.D. VS Output voltage(DL-150Z-214A/P-MXL)



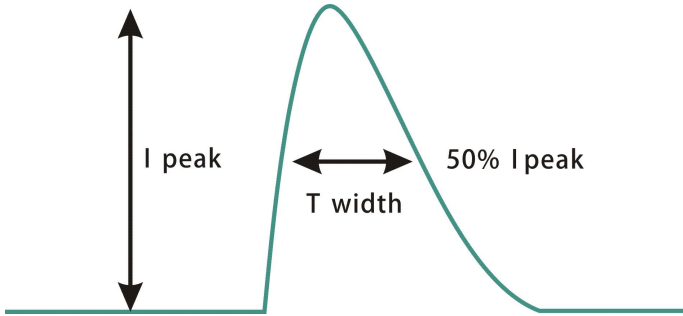
Tcase VS Lifetime (DL-150Z-A/P-MXL)



Output power VS Tcase (DL-150Z-A/P-MXL)



Inrush current(DL-150Z-A/P-MXL)



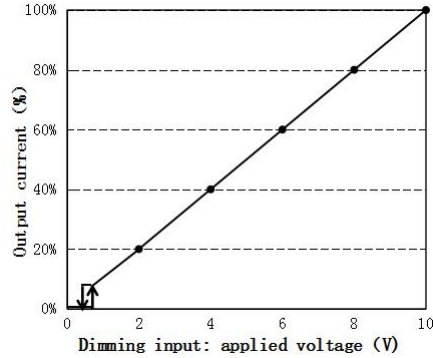
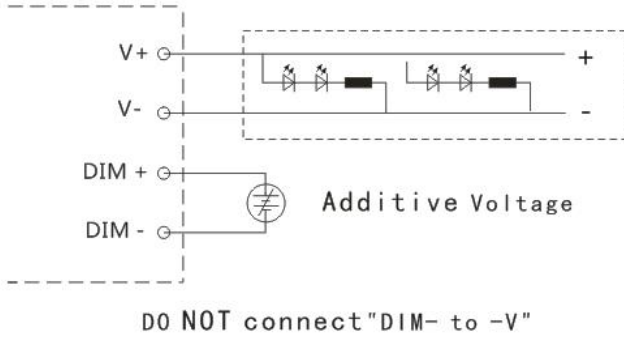
Input voltage	Peak current	T(@50% Peak current)
120Vac	23A	288us
230Vac	56A	292us
277Vac	68A	308us

Dimming operation

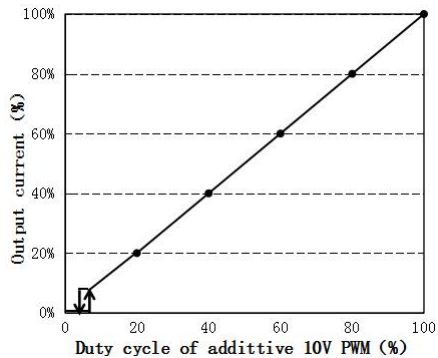
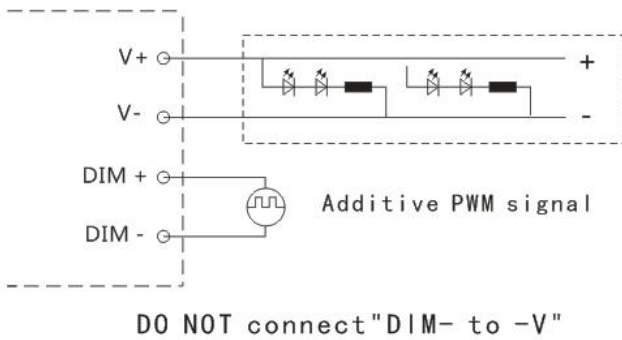
※ Three-in-one dimming function (P version only)

- A. Connect a resistor 0-100K or 0-10V DC voltage or 10V PWM signal between DIM+ and DIM- to adjust the output current.
- B. Output current of dimming port: 100uA (typical value).

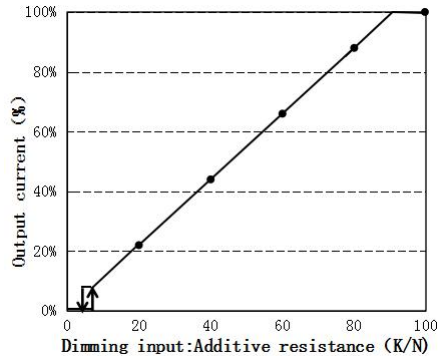
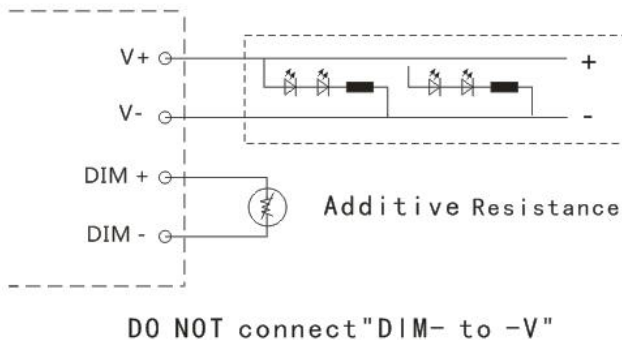
◎ With an applied voltage of 0-10V:



◎ Applying additive 10V PWM signal (Frequency range: 300Hz-2K Hz) :



◎ With an additional 0-100K resistor:



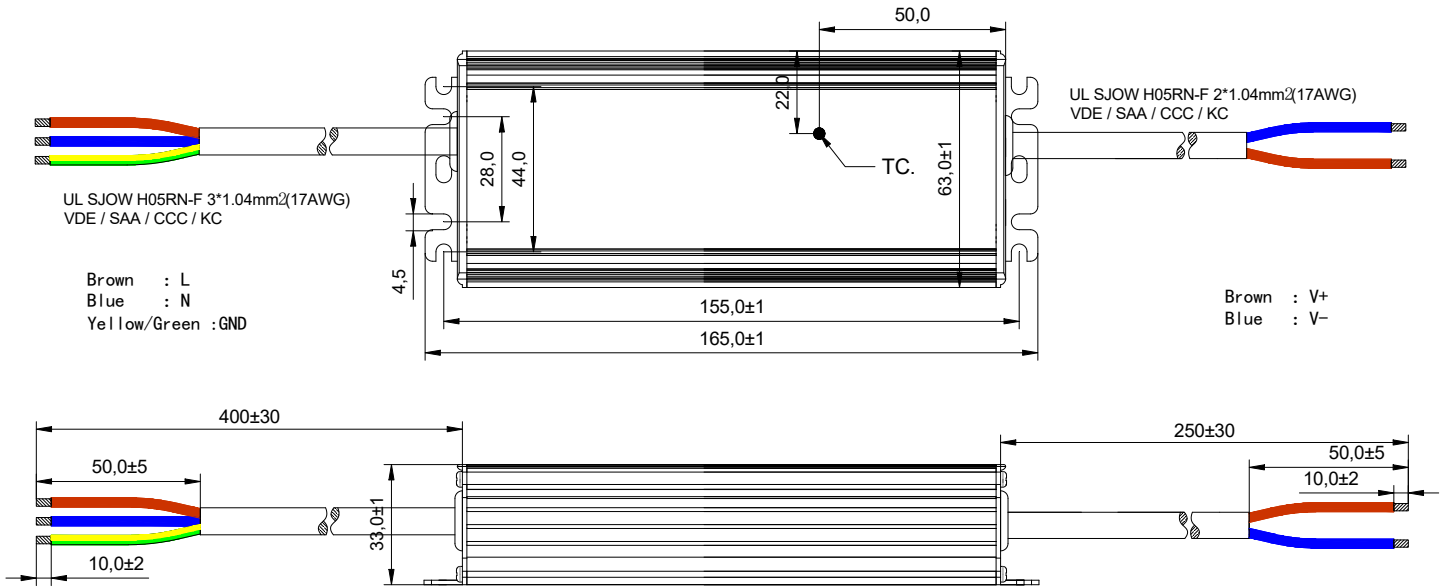
Remark:

1. Positive and negative logic dimming can be programmed.
2. Dimming off only applies to positive logic. For other requirements, please contact technical personnel.

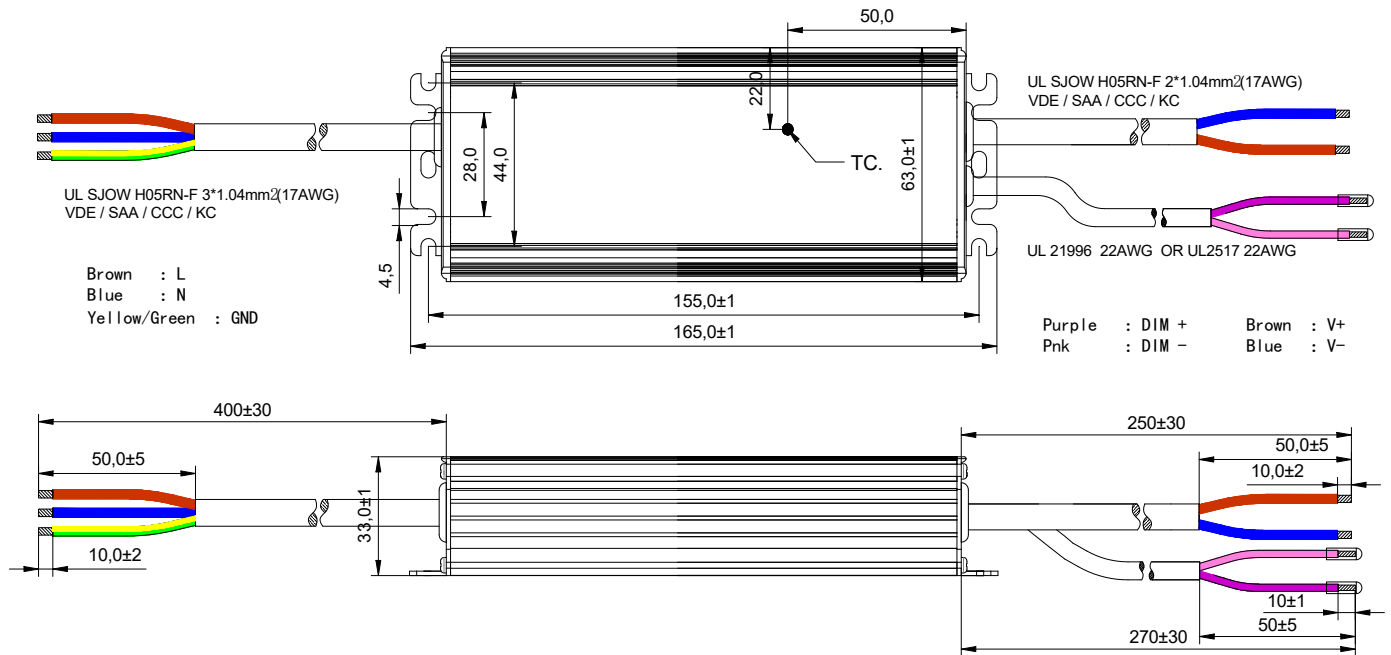
Mechanical specification

Size (mm) L165*W63*H33

DL-150Z-V56A-MXL
DL-150Z-V107A-MXL
DL-150Z-V214A-MXL



DL-150Z-V56P-MXL
DL-150Z-V107P-MXL
DL-150Z-V214P-MXL

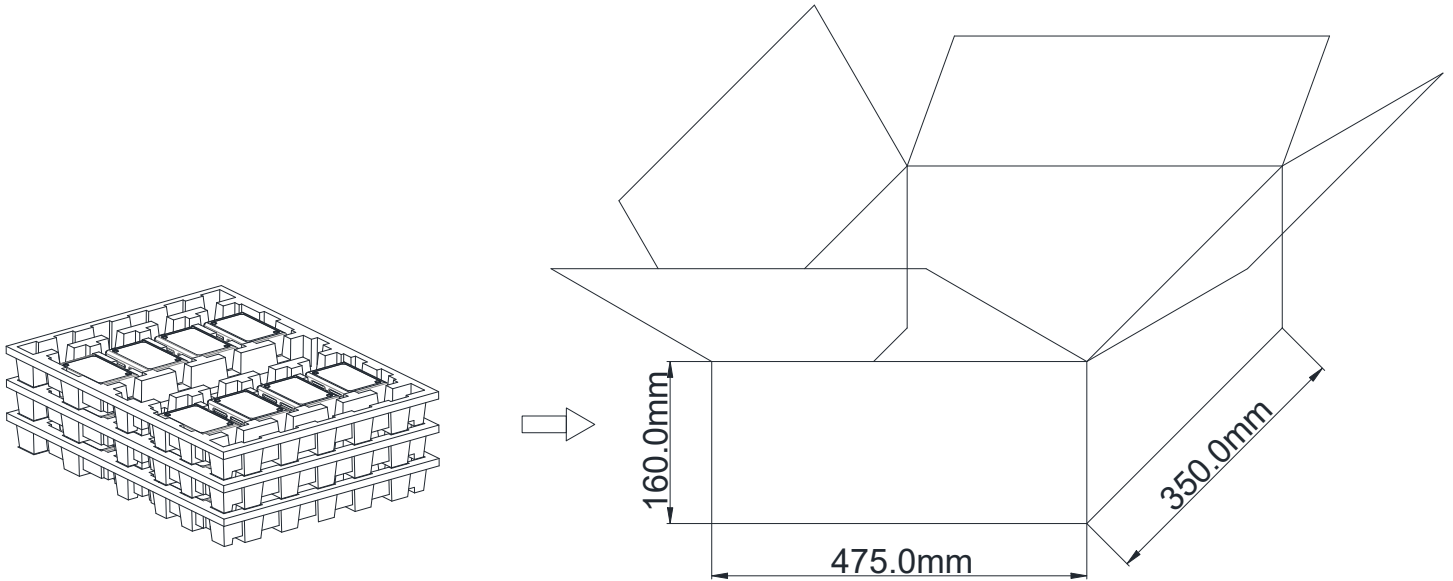


Weight

Weight 675 g

Packaging

Packaging (mm) L475*W350*H160



Note: One Carton 3 layers and 8 pcs each layer, total 24pcs/carton.

Note:

1. According to the certificate obtained by the LED DRIVER, the LED DRIVER with the English label is sold in Europe, America and India.
2. The LED DRIVER with Chinese label is only used for China market.

Version

DATE	DESCRIPTION	REV.	CHECK
2024.5.7	Initial version.	E2.0	

MANUFACTRUER		
EDIT	CHECK	APPROVE