 广东东菱电源科技有限公司 <small>GUANGDONG DONE POWER TECHNOLOGY CO.,LTD</small> <small>地址: 广东省中山市横栏镇康龙三路3号东菱工业园 服务热线: 400 0760 585 网址: www.donepower.com.cn</small>	Application	LED 室内驱动电源 LED INTEGRATED SPECIAL DRIVER		
	product line	DL-12H-LAC series	REV	1.1

广东东菱电源科技有限公司

Guangdong DonePower Technology Co.,Ltd.

SPECIFICATION

CUSTOMER :			
MODEL NO. :	DL-12H-LAC		
VERSION:	V1.1		
CUSTOMER			
TEST	CHECK	APPROVE	
Please return to us one copy of "SPECIFICATION FOR APPROVAL" with you approved signature..			
MANUFACTRUE			
EDIT	CHECK	APPROVE	
<p>Guangdong DonePower Technology Co.,Ltd.</p> <p>广东东菱电源科技有限公司</p> <p>No. 3-1&3-2,Kanglong 3rd Road,XinMao Industry Zone,Henglan Town,Zhongshan</p> <p>City,Guangdong Province,P.R.China Post code:528478</p> <p>地址：广东省中山市横栏镇新茂工业区康龙三路 3 号之一之二</p> <p>邮编：528478</p> <p>TEL:0760-89838399 89838379 FAX:0760-89831157 89838396</p>			

FEATURES

- ◇ Constant current mode power supply
- ◇ AC input: 220-240V ~ 50/60Hz
- ◇ Fully isolated plastic case, Class II diver
- ◇ Cooling by free air convection
- ◇ PF \geq 0.9 & THD \leq 15% full load
- ◇ Protections: short circuit/Over voltage with non-latching
- ◇ High efficiency /High reliability
- ◇ Surge : 1 KV (2 ohm) IEC61000-4-5 2014
- ◇ CCC/TUV/CE/SAA approved
- ◇ 5 years warranty



TYPICAL APPLICATIONS

Commercial lighting , Household lighting

MODEL LIST

Model	AC Input	Output voltage	Output current	Efficiency	THD	PF
				230Vac	230Vac	230Vac
DL-12H-C350-LAC	220-240Vac	25-42Vdc	350mA	>84%	\leq 15%	\geq 0.9
DL-12H-C300-LAC	220-240Vac	25-42Vdc	300mA	>84%	\leq 15%	\geq 0.9
DL-12H-C270-LAC	220-240Vac	25-42Vdc	270mA	>84%	\leq 15%	\geq 0.9
DL-12H-C240-LAC	220-240Vac	25-42Vdc	240mA	>83%	\leq 15%	\geq 0.9
DL-12H-C210-LAC	220-240Vac	25-42Vdc	210mA	>83%	\leq 15%	\geq 0.9
DL-12H-C180-LAC	220-240Vac	25-42Vdc	180mA	>82%	\leq 15%	\geq 0.9
DL-12H-C150-LAC	220-240Vac	25-42Vdc	150mA	>82%	\leq 15%	\geq 0.9


■ SPECIFICATION

◇ INPUT

Rated voltage	220 -240Vac
Frequency	50/60Hz
Power factor(PF)	≥0.9 @230Vac full load
Total harmonic distortion(THD)	≤15%@230Vac full load
Input current	0.08A @230Vac
Inrush current (typ.)	Cold start 70A @230Vac

◇ OUTPUT

Model	DL-12H-C350-LAC	DL-12H-C300-LAC	DL-12H-C270-LAC	DL-12H-C240-LAC	DL-12H-C210-LAC	DL-12H-C180-LAC	DL-12H-C150-LAC
Rated current	350mA	300mA	270mA	240mA	210mA	180mA	150mA
Output current range	332-368mA	285-315mA	257-283mA	223-257mA	195-225mA	167-193mA	140-160mA
Output voltage range	25-42Vdc	25-42Vdc	25-42Vdc	25-42Vdc	25-42Vdc	25-42Vdc	25-42Vdc
Rated output power	14.7W	12.6W	11.34W	10.08W	8.82W	7.56W	6.3W
No load voltage	50Vdc MAX.	50Vdc MAX.	50Vdc MAX.	50Vdc MAX.	50Vdc MAX.	50Vdc MAX.	50Vdc MAX.
Efficiency	>84%@230Vac full load	>84%@230Vac full load	>84%@230Vac full load	>83%@230Vac full load	>83%@230Vac full load	>82%@230Vac full load	>82%@230Vac full load
Accuracy of output current	±5%	±5%	±5%	±7%	±7%	±7%	±7%
Line regulation	±5%						
Load regulation	±5%						
Setup time	<500ms @230VAC						
Ripple coefficient	≤3%						

 广东东菱电源科技有限公司 <small>GUANGDONG DONE POWER TECHNOLOGY CO.,LTD</small> <small>地址: 广东省中山市横栏镇康龙三路3号东菱工业园 服务热线: 400 0760 585 网址: www.donepower.com.cn</small>	Application	LED 室内驱动电源 LED INTEGRATED SPECIAL DRIVER		
	product line	DL-12H-LAC series	REV	1.1

◇ PROTECTION

Over load	Non-latching : Constant current limiting, recovers automatically after fault condition is removed
Short	Hiccup and non-latching, recover automatically after fault condition is removed
Over voltage	hiccup or when it is at the highest point of output voltage the product would not be hurt when the fault is excluded or is start working again the power supply is working normally

NOTE :

- 1) All parameters NOT specially mentioned are measured at 230VAC input, rated load and 25°C of ambient temperature.
- 2) Tolerance : includes set up tolerance, line regulation and load regulation.
- 3) Constant current operation region is within 50% ~100% rated output voltage. This is the suitable operation region for LED related applications.

■ ENVIRONMENT

WORKING TEMP.	-25 ~ +50°C (Refer to "Derating Curve")
WORKING HUMIDITY	20 ~ 95% RH, non-condensing
TEMPERATURE CASE	<90°C (Refer to "SERVICE LIFE")
STORAGE TEMP, HUMIDITY	-25 ~ +80°C, 10 ~ 95% RH
VIBRATION	10 ~ 500Hz, 5G 12min./1cycle, period for 72min. each along X, Y, Z axes
WITHSTAND VOLTAGE	I/P-O/P:3.75KVAC
ISOLATION RESISTANCE	I/P-O/P:100M Ohms / 500VDC / 25°C/ 70% RH
MTBF	470K hrs min. MIL-HDBK-217F (25°C)

■ SAFETY & EMC

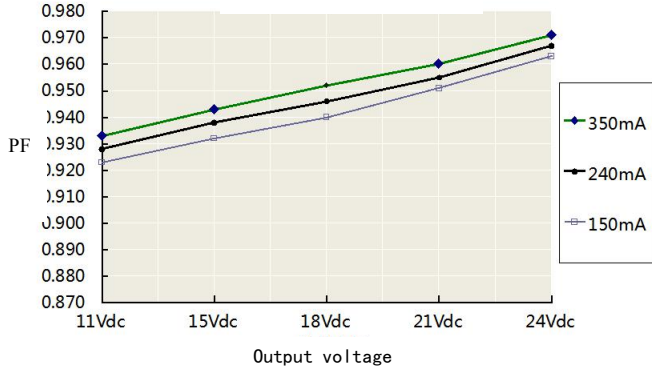
SAFETY	GGB 19510、 EN 61347-1、 EN 61347-2-13、 J61347
EMC	EMI : GB 17743、 EN 55015、 EN 61000-3-2 、 FCC Part15、 EMS : EN 61000-3-3 EN 61000-4-2、 EN 61000-4-3、 EN61000-4-4、 EN 61000-4-5、 EN 61000-4-6EN 61000-4-8、 EN 61000-4-11、 EN 61547
SUGER	IEC61000-4-5 2014 1 KV
LEAKAGE CURRENT	<0.7mA / 230Vac

NOTE :

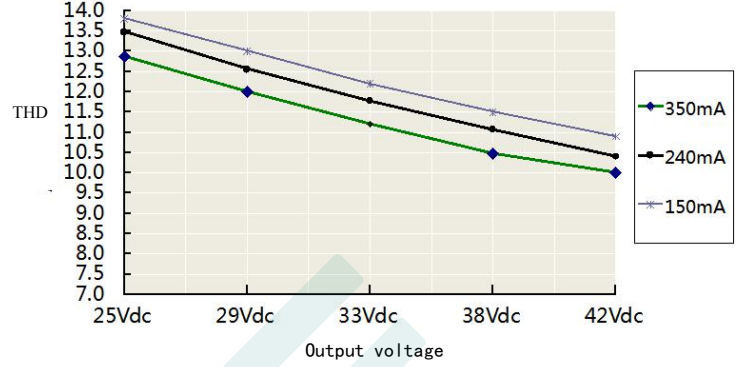
The power supply is considered as a component that will be operated in combination with final equipment. Since EMC performance will be affected by the complete installation, the final equipment manufacturers must re-qualify EMC

Directive on the complete installation again.

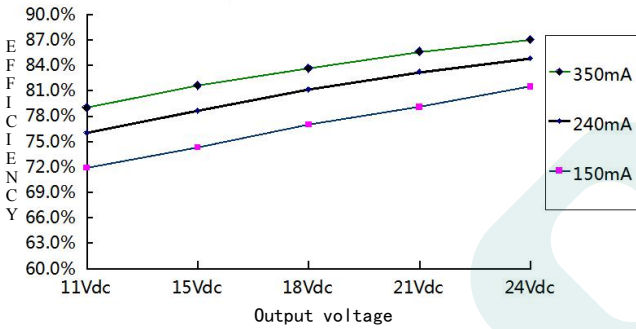
■ OUTPUT VOLTAGE VS PF



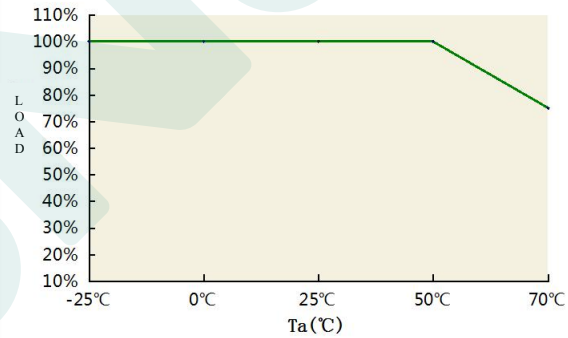
■ OUTPUT VOLTAGE VS THD



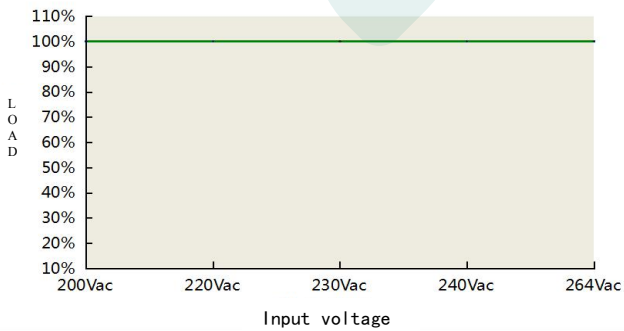
■ OUTPUT VOLTAGE VS EFFICIENCY



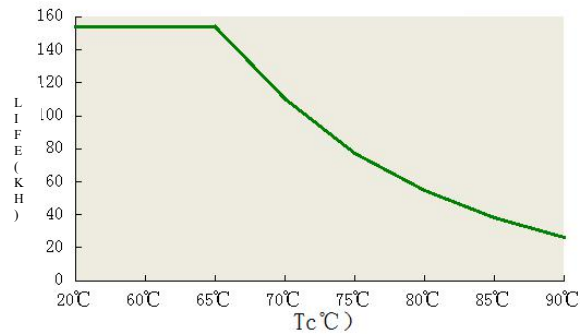
■ LOAD DERATING CURVE



■ INPUT VOLTAGE VS LOAD



■ LIFE VS Tc

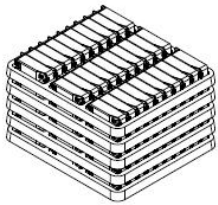
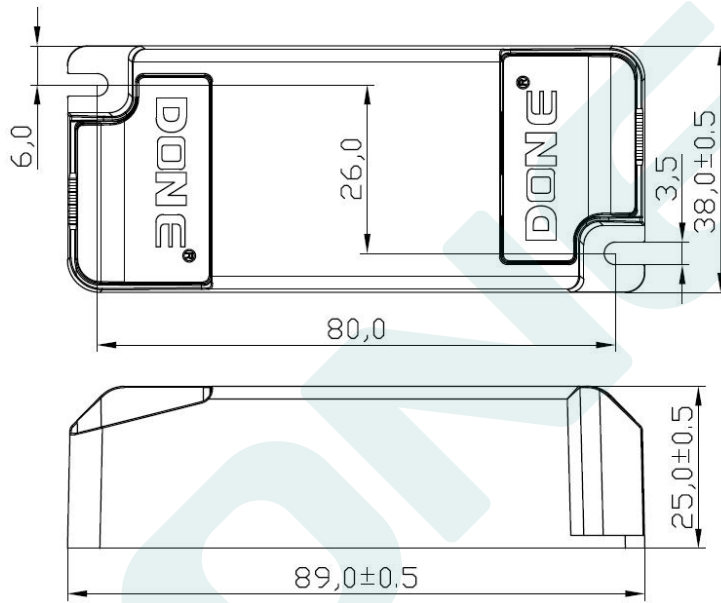


MECHANICAL SPECIFICATION & PACKING:

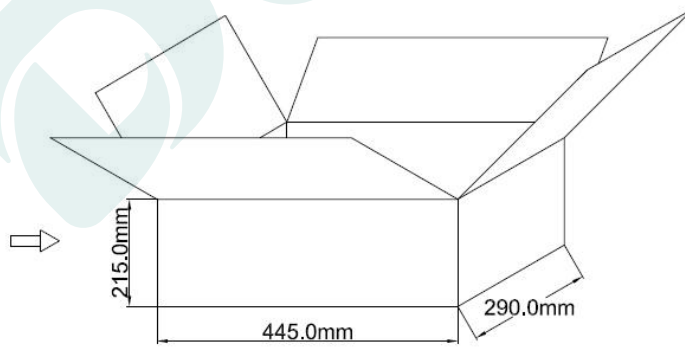
DIMENSION (mm)	89*38*25
PACKING	/

Case No. : FP01

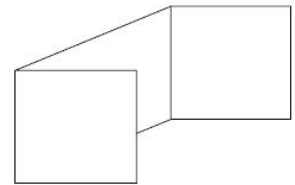
Unit :mm



吸塑托盘
 40.01.12.00005



纸箱
 40.01.01.00050



纸卡
 40.01.03.00024

300PCS



塑胶堵头
 20.02.06.00037

注: 一箱5层, 每层30PCS

WEIGHT

Weight	57.2g/PCS
--------	-----------