

The logo for DONE, featuring the word "DONE" in a bold, teal, sans-serif font. The letter "D" is stylized with a white circular element inside its top curve. The logo is contained within a white rounded square with a thin teal border.

MXK SERIES LED DRIVERS

DL-110H-P/X-MXK SPEC V1.0

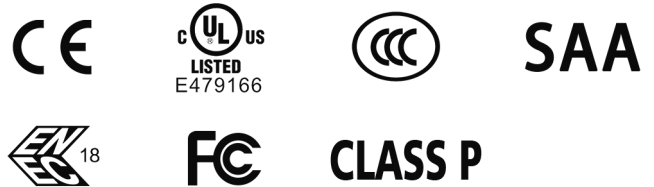
Features

- Class I structure
- Input voltage: AC 200-277 V ~ 50/60 Hz
- Efficiency :91%(Typ.)
- Constant power drive and constant current output control mode
- Protection design: IP20, suitable for outdoor IP>54 lighting applications
- Lightning protection level: differential mode 6kV, common mode 10kV
- Function selection:
 - Isolated 3 in 1 dimming
 - Auxiliary source: 24V/125mA (X version only)
- Lifetime design: 5 years



Applications

Road lighting、Industrial lighting、Venue lighting
 Floodlight lighting、Landscape lighting、Plant lighting



Model list

Model NO.	Input voltage	Output power	Output voltage	The default current	Eff.	T.H.D	PF
DL-110H-V158P-MXK DL-110H-V158X-MXK	AC 200-277V 50/60Hz	110W	76-158Vdc	0.7A	≥91%	≤10%	≥0.95

Note:

1. Test conditions of the above parameters: Ta=25°C, 230Vac input, full load operation for 30 minutes;
2. When the input is less than 180Vac, the output power is derated gradually. When the input is 200-277Vac, the rated power is 110W, and special attention should be paid to the application; Please refer to "THE OUTPUT POWER VS INPUT VOLTAGE" curve chart for details.
3. The P version can optionally input overvoltage protection function;

Input characteristics

Parameter	Min	Typ.	Max	Note
Rated input voltage	200Vac	230Vac	277Vac	
Input voltage range	180Vac		305Vac	
Rated frequency	47Hz	50/60Hz	63Hz	
Power factor	0.95	-	-	@230Vac full load, rated input voltage
Power factor	0.9	-	-	80%-100% load, 200-277VAC input
T.H.D.	-	-	10%	@230Vac full load
T.H.D.	-	-	20%	80%-100% load, 200-277VAC input
Input current	-	-	0.7A	@200Vac full load
Inrush current	-	-	70A	230Vac, cold start (25°C)

Output characteristic

Parameter	Min	Typ.	Max	Note
Rated current DL-110H-V158P/X-MXK	-	0.7A	-	
Output current range DL-110H-V158P/X-MXK	0.5A	-	1.05A	
Output voltage range DL-110H-V158P/X-MXK	76V	-	158V	
Rated power(160-180Vac)	-	55W±20%	110W	The derating begins when the input voltage is less than 180Vac
Rated power(180-277Vac)	-	110W	-	
No-load voltage DL-110H-V158P/X-MXK	-	-	200V	
Efficiency@200Vac DL-110H-V158P/X-MXK	89%	90%	-	full load@200Vac

Output characteristic

Parameter	Min	Typ.	Max	Note
Efficiency@230Vac DL-110H-V158P/X-MXK	90.6%	91.6%	-	full load@230Vac
Output Current Ripple	-	5% I _{omax}	-	100% load, 20 MHz BW; Ripple =rms/ average
Accuracy of output current	-5%	-	+5%	full load Constant power range
Line regulation	-3%	-	+3%	full load Constant power range
Load regulation	-3%	-	+3%	full load Constant power range
Starting time	300ms	-	500ms	Full load@230Vac
Auxiliary source output voltage	23.6 V	24V	24.4V	-
Auxiliary source output current	0 mA	-	125mA	Reference ground is "Dim -"
Auxiliary source output transient peak current @6W	-	-	250 mA	In a 5.0ms cycle, the maximum duration of the maximum peak current of 250mA is 2ms, and the average value must not exceed 1250mA

Note:

- 1, the output current range is limited by the input and output voltage, please refer to the I-V working area.
2. The startup time of P version is 300ms-700ms(Full load@230Vac).

Dimming characteristic

Dimming function		Min	Typ.	Max	Instructions
0-10V Dimming (Optional)	Safe applied voltage range	0V		12V	When the external voltage is $\geq 12V$, the dimming will fail
	Dimming output range	10%	-	100%	-
	Rated dimming voltage range	0V	-	10V	It can be set to negative dimming mode through program setting
PWM Dimming (Optional)	PWM high level	9.5V	-	10.5V	-
	PWM low level	0V	-	0.3V	-
	PWM frequency scope	300Hz	-	2000Hz	-
	PWM duty cycle	0%	-	99%	Output full power at 99% duty cycle
Resistor Dimming (Optional)	External resistance value	0 Ω	-	100K Ω	-
	Dimming output range	0%	-	100%	-
Multiple time-controlled dimming (optional)	MCU control	Set segment dimming function through program			Working mode
	Timer control	It is divided into six segments by default and can be customized			24H to achieve a cycle

Note:

1. Output current of dimming port: 100uA (typical value);
2. The X version is 0-10V dimming, and the P version is 1-10V dimming (0V can be turned off). The maximum voltage of the dimming port is 12V. If the external power supply voltage exceeds 12V or the signal cable is inverted, the power supply will be damaged;
3. Dimming default setting is three in one positive logic dimming (programmable software can be set to timing dimming, 0-5V or other voltage dimming);
4. When set to positive logic dimming function, the 0V dimming is turned off, and the output voltage is $0.46 \cdot V_{omax}$ after the dimming is turned off. Be careful when using this function, but customers are advised to use 1-10V dimming.
5. When setting negative logic dimming, the default output is 100% when the dimming is suspended. Negative logic dimming cannot be turned off. When the port voltage of the dimming is greater than 10.5V, the maximum power output of the power supply will be achieved.

Protection

Function	Function instructions
Input under-voltage protection	When the input voltage is less than 170Vac $\pm 10\%$, the output power gradually decreases.
Output overload protection	Protection mode:hiccup mode,recovers automatically after fault condition is removed.
Output short circuit protection	Hiccup mode:recovers automatically after fault condition is removed
Over temperature protection	Self-recovery type: when the housing temperature is greater than 90°C, the output power decreases gradually.
Output over-voltage protection	Protection mode: Hiccup mode or clamped in output highest voltage , the product is not damaged, LED driver works normally after fault condition is removed.

Note:

1. Unless otherwise specified, all specifications and parameters shall be measured at the conditions of 230Vac (50Hz), rated load and 25°C of ambient temperature;
2. Including setting error, line regulation and load regulation.

Environmental

Environmental categories	Parameter
Working temperature	-40 ~ +55°C@200-277Vac, -40 ~ +45°C @180-200Vac (refer to "Life Curve ")
Max.Case Temp.	-40 ~ 90°C
Working humidity	20 ~ 95% RH, non condensing
Storage temperature、humidity	-40 ~ +80°C, 10 ~ 95% RH
Resistant to vibration	10 ~ 500Hz, 5G 12 min/cycle, X, Y, Z axis 72 min each
MTBF	230Khrs min. MIL-HDBK-217F (Ta=25°C)
Lifetime	70,000 hours @Tcase \leq 75°C,230Vac, 80% Load, Please refer to "Tcase VS Lifetime" section

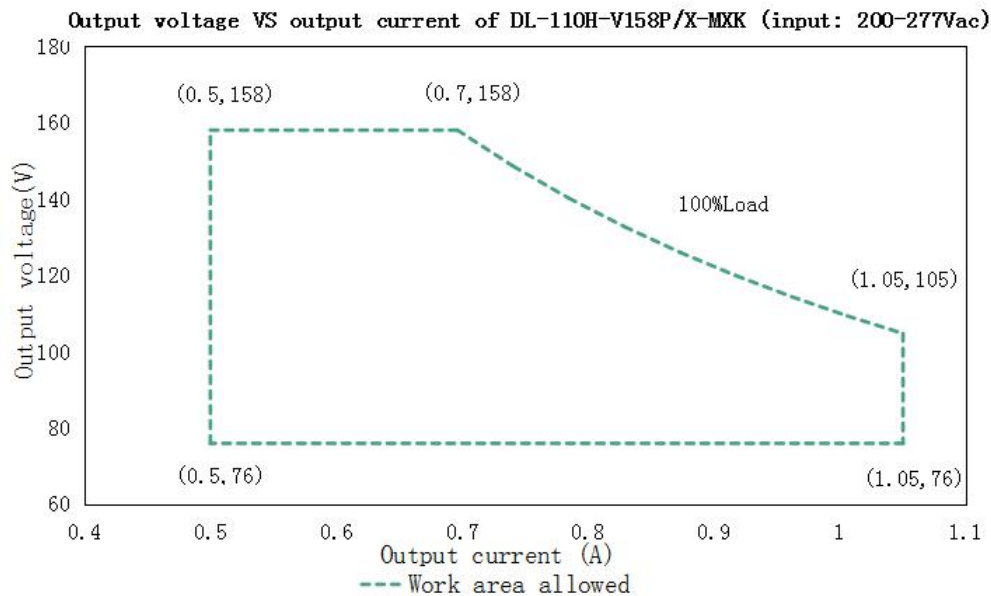
Safety and EMC

Safety categories	Standard
Safety	GB19510.1、GB19510.14、EN61347-1、EN61347-2-13、IEC61347-1、IEC61347-2-13、AS/NZS61347.1、AS61347.2.13、EN 62384;
EMC	EN 55015、EN 61000-3-2 、GB/T 17743、GB17625.1、 EN 61000-3-3
Surge protection	Differential mode L-N $\pm 6KV$ (2 ohm) ,common mode L, N-PE $\pm 10 KV$ (12 ohm); Refer to IEC61000-4-5 2014 Criterion B
High-pot test	I/P-O/P:3.75KVac I/P-PE :1.5KVac O/P-PE : 0.5KVac I/P-DIM:1.5KVac O/P-DIM:1.5KVac
Insulation impedance	I/P-PE:100M Ω / 500VDC; I/P-O/P:100M Ω / 500VDC / 25 $^{\circ}C$ / 70% RH
Leakage current	<0.7mA@277Vac

Note:

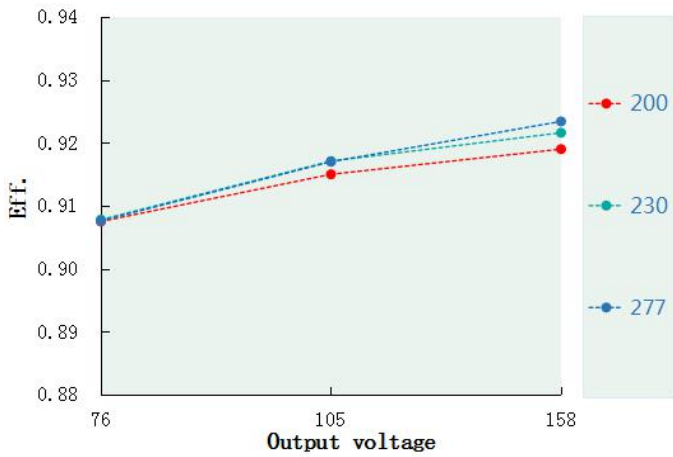
The driver is considered as a component that will be operated in combination with the final equipment. Since EMC performance will be affected by the complete installation,the final equipment manufacturers must re-qualify EMC Directive on the complete installation again.

I-V Working area

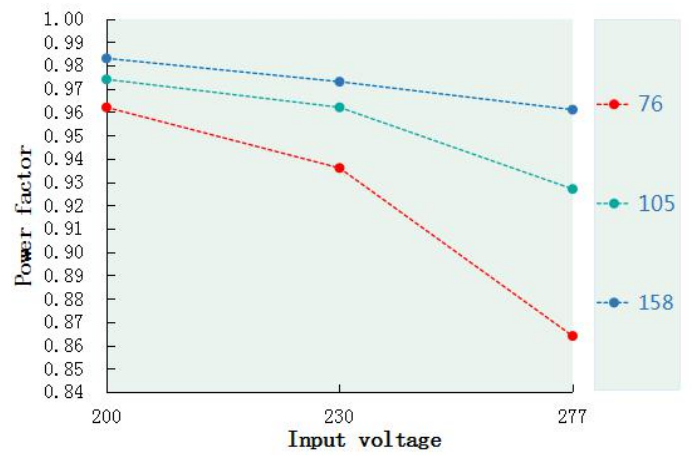


Load	Output								
Load working Voltage	76V	86V	95V	105V	111V	119V	125V	134V	158V
Io_MAX	1.05A	1.05A	1.05A	1.05A	0.99A	0.92A	0.88A	0.82A	0.7A
Po_MAX	79.8W	90.3W	99.75W	110W	110W	110W	110W	110W	110W

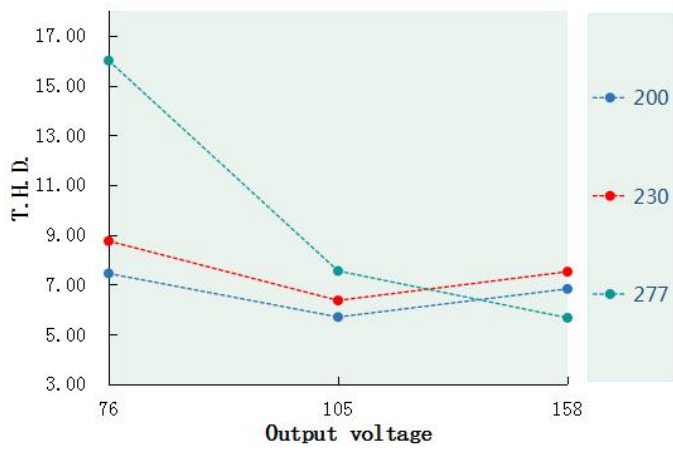
Eff. VS Output voltage(DL-110H-V158P/X-MXK)



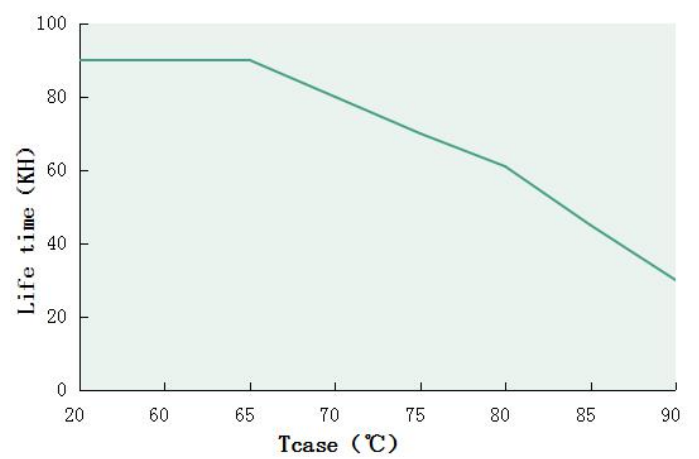
Power factor VS Input voltage(DL-110H-V158P/X-MXK)



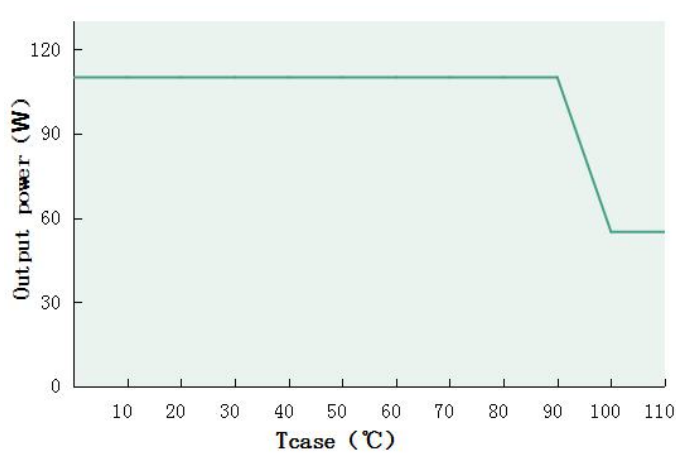
T.H.D. VS Output voltage(DL-110H-V158P/X-MXK)

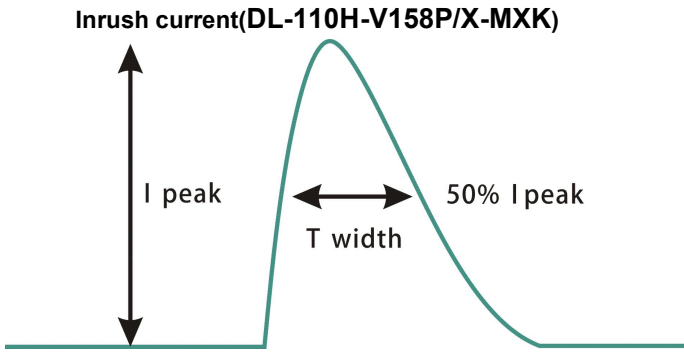


Tc case VS Lifetime (DL-110H-V158P/X-MXK)



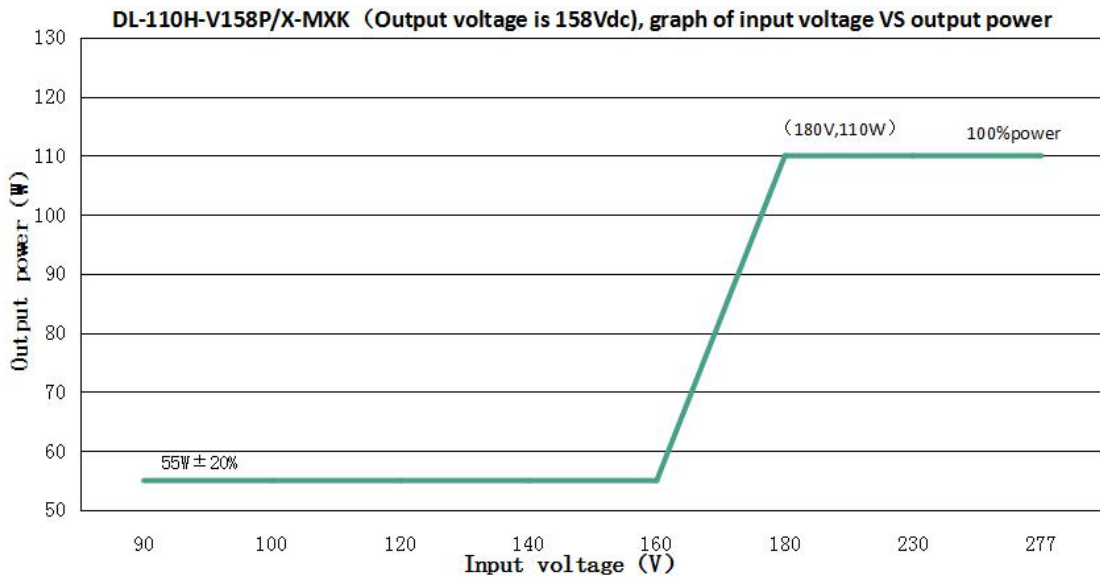
Output power VS Tc case (DL-110H-V158P/X-MXK)





Input voltage	Peak current	T(@50% Peak current)
200Vac	62A	176us
230Vac	50A	176us
277Vac	62.7A	176us

Output power VS Input voltage



DL-110H-V158P/X-MXK (When the output voltage is 158Vdc, the rated output current value and output power corresponding to different input voltage)								
Input Voltage	90Vac	100Vac	120Vac	140Vac	160Vac	180Vac	230Vac	277Vac
Iout	0.35A	0.35A	0.35A	0.35A	0.35A	0.7A	0.7A	0.7A
Pout	55W	55W	55W	55W	55W	110W	110W	110W

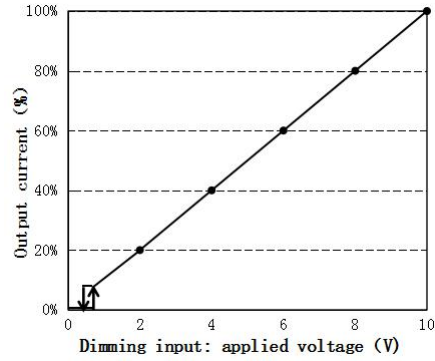
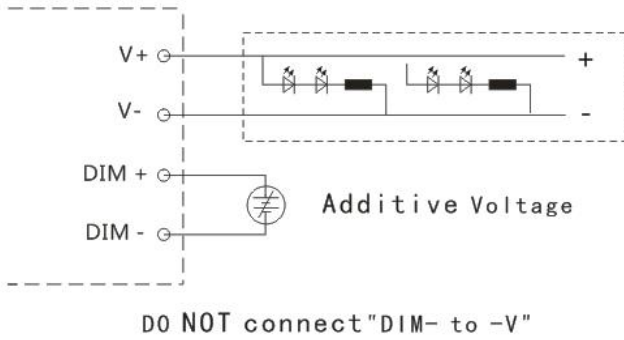
Note:
 When the input voltage is lower than 170 ± 10Vac, the output power gradually decreases, and the output power gradually decreases to 55W ± 20% at 160Vac.

Dimming operation

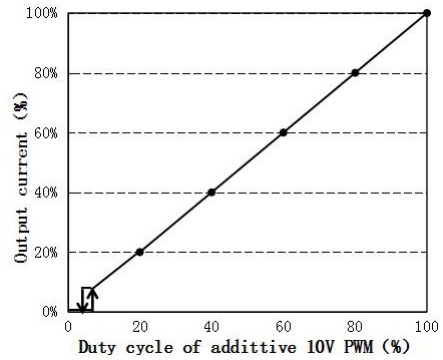
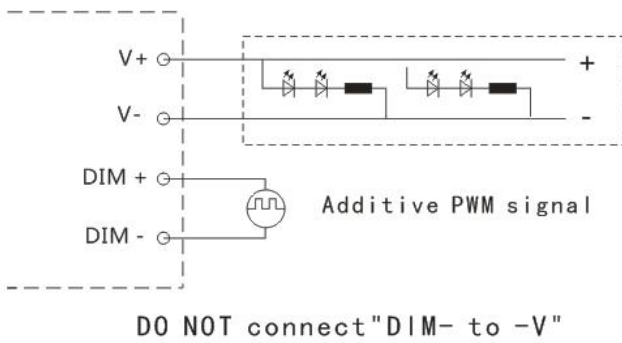
※ **Three-in-one dimming function (X version only)**

- A. Connect a resistor 0-100K or 0-10V DC voltage or 10V PWM signal between DIM+ and DIM- to adjust the output current.
- B. Output current of dimming port: 100uA (typical value).

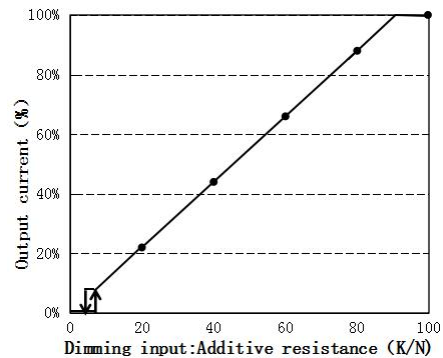
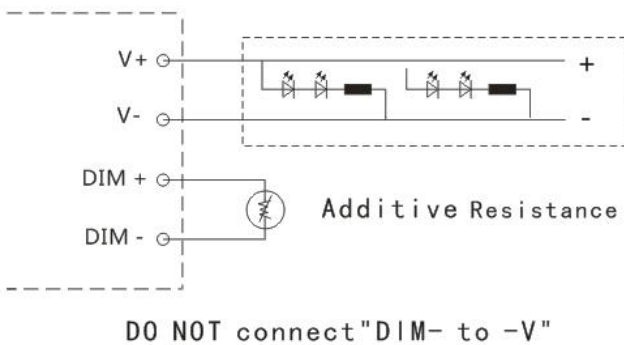
◎ **With an applied voltage of 0-10V:**



◎ **Applying additive 10V PWM signal (Frequency range: 300Hz-2K Hz) :**



◎ **With an additional 0-100K resistor:**



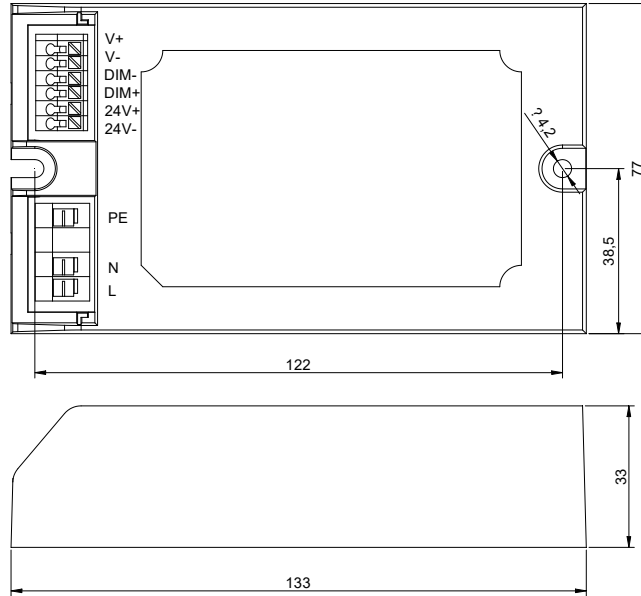
Remark:

- 1. Positive and negative logic dimming can be programmed.
- 2. Dimming off only applies to positive logic. For other requirements, please contact technical personnel.

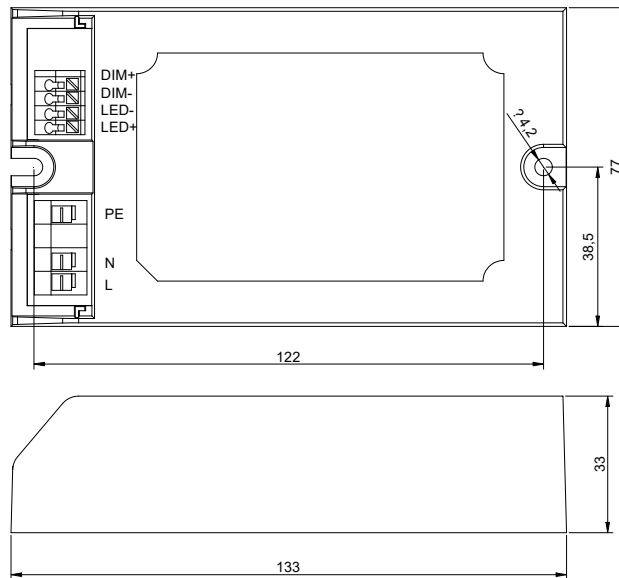
Mechanical specification

Size (mm) L133*W77*H33mm

DL-110H-V158X-MXK



DL-110H-V158P-MXK

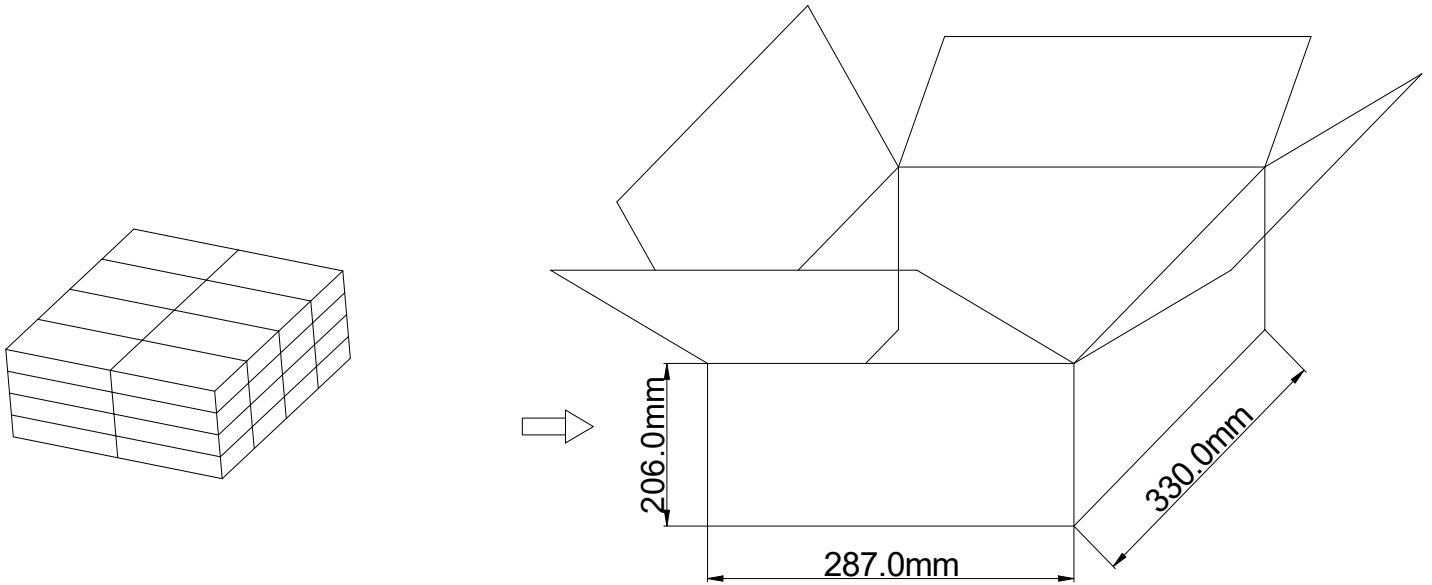


Weight

Weight 535g

Packaging

Packaging (mm) L330*W287*H206mm



Note: One Carton 4 layers and 8 pcs each layer, total 32 pcs/carton.

Note:

1. According to the certificate obtained by the LED DRIVER, the LED DRIVER with the English label is sold in Europe, America and India.
2. The LED DRIVER with Chinese label is only used for China market.

Version

DATE	DESCRIPTION	REV.	CHECK
2024.3.16	Initial version.	V1.0	

MANUFACTRUER		
EDIT	CHECK	APPROVE